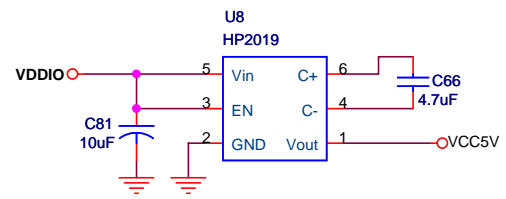
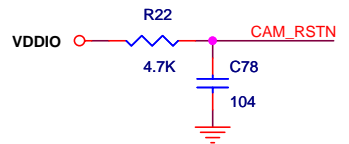
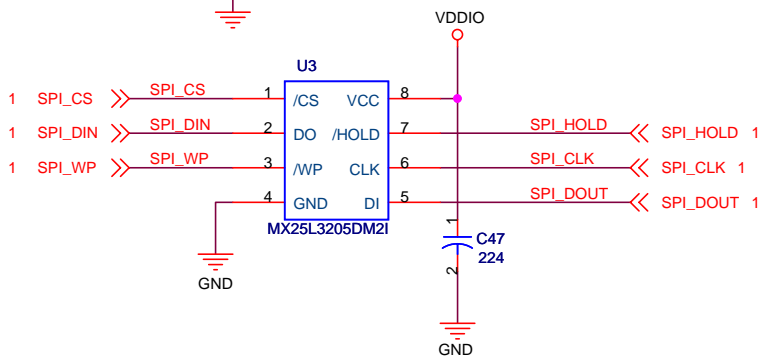
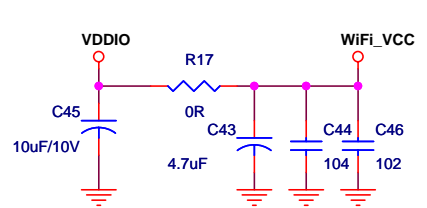
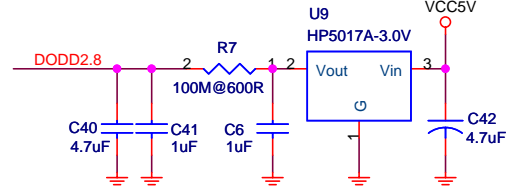
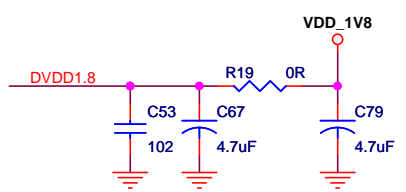
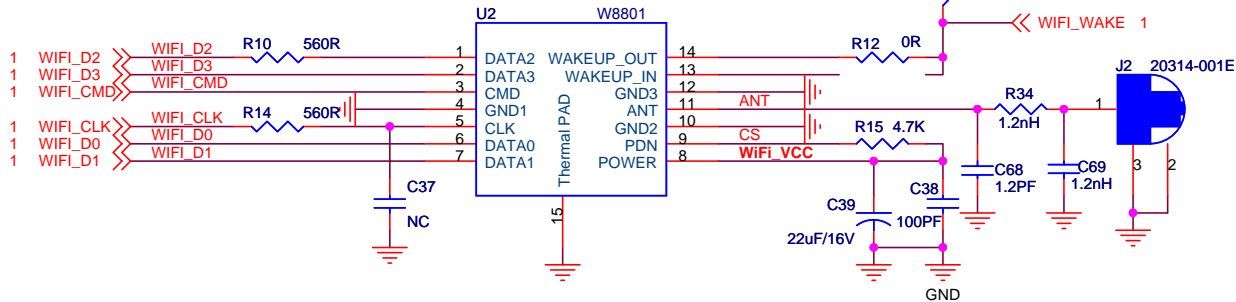
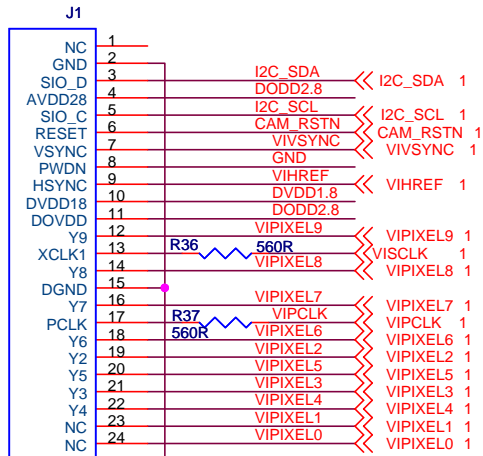
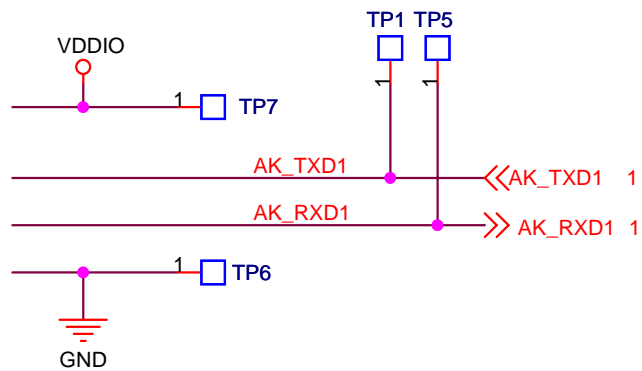
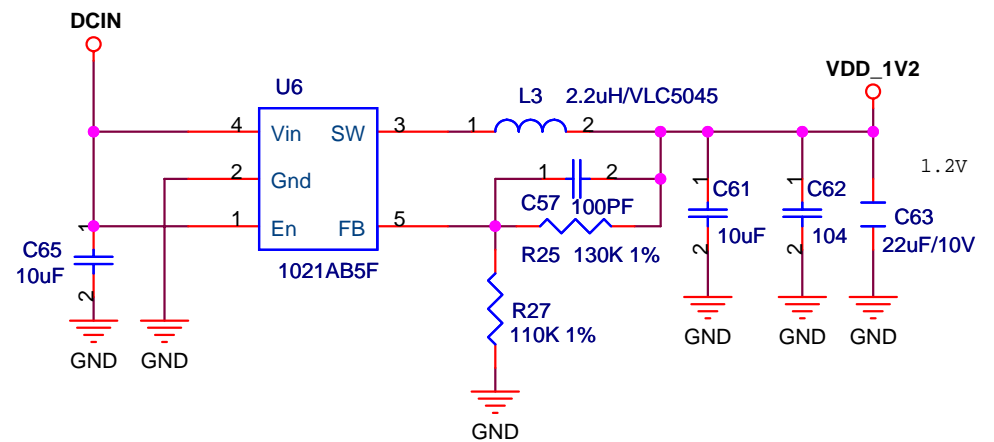
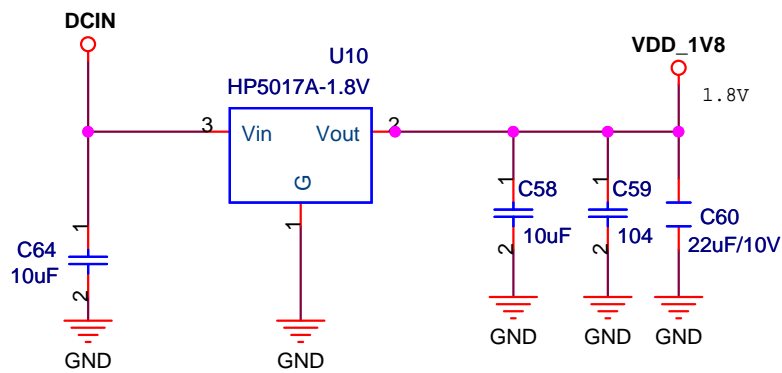
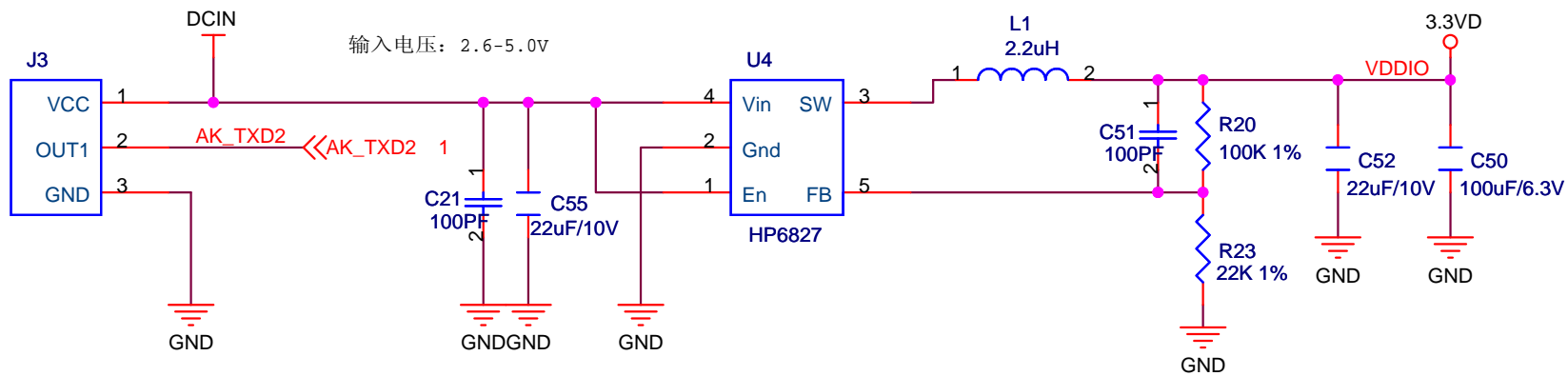


Size	Document Description	Rev
Custom		A
Date: Thursday, June 30, 2016	Sheet 1 of 3	





	POWER		
	Size Custom	Document Description	Rev A
	Date: Thursday, June 30, 2016		Sheet 3 of 3

Sensor SCHEMATIC

