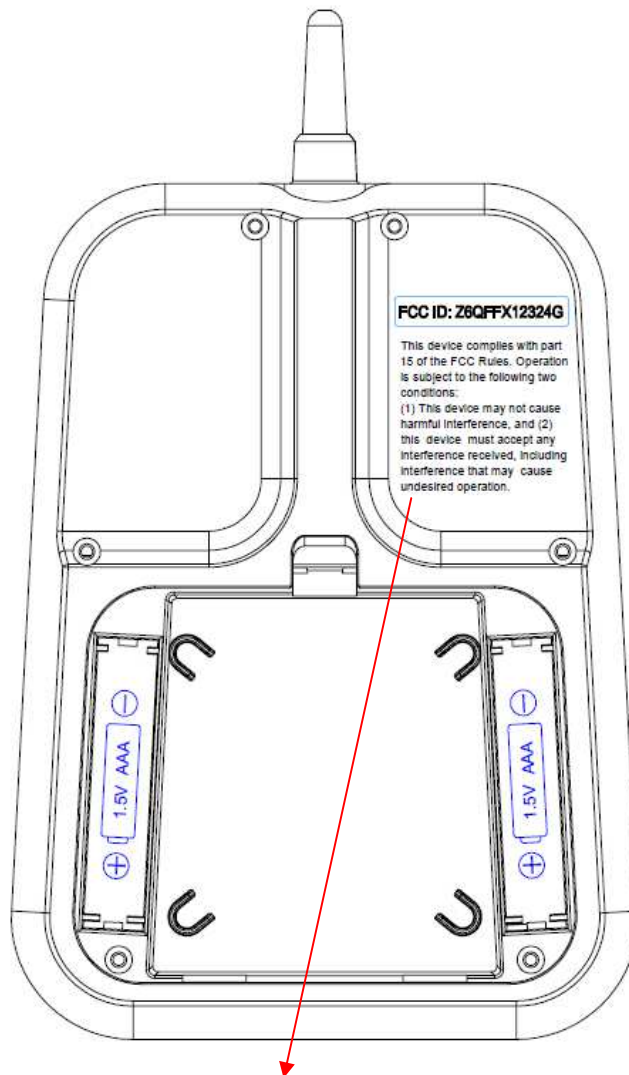


Label Artwork and Location



FCC ID: Z6QFFX12324G

This device complies with part 15 of the FCC Rules. Operation is subject to the following two conditions:

(1) This device may not cause harmful interference, and (2) this device must accept any interference received, including interference that may cause undesired operation.

SIZE: 30mm (W) x 35mm (H)