

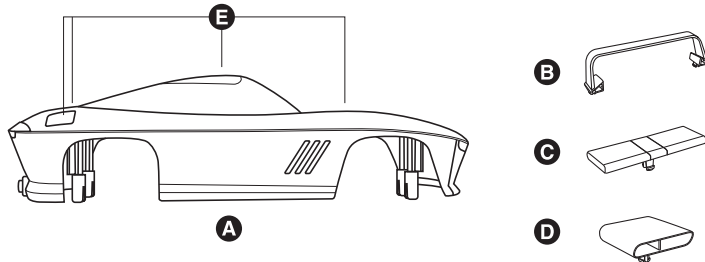
## INTRODUCTION

Congratulations on your purchase of the RC Car Kit. Please read all instructions and warnings on this sheet prior to using the product. Keep this instruction sheet as it contains important information for future reference.

## CONTENTS

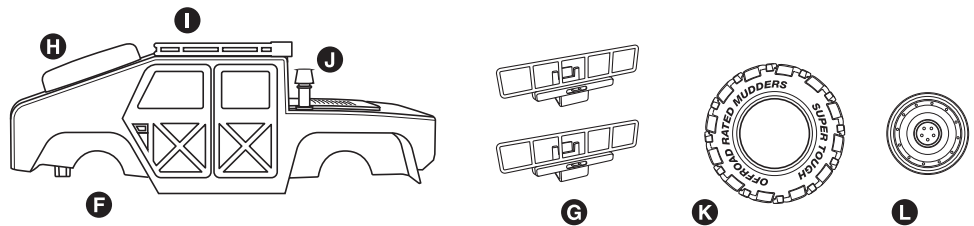
### Parts Unique to Your Race Car

- A. 1 x Race Car Shell
- B. 1 x Rear Spoiler
- C. 1 x Roof Lights
- D. 1 x Hood Scoop Intake
- E. 4 x Shell Accessory Plugs (installed)



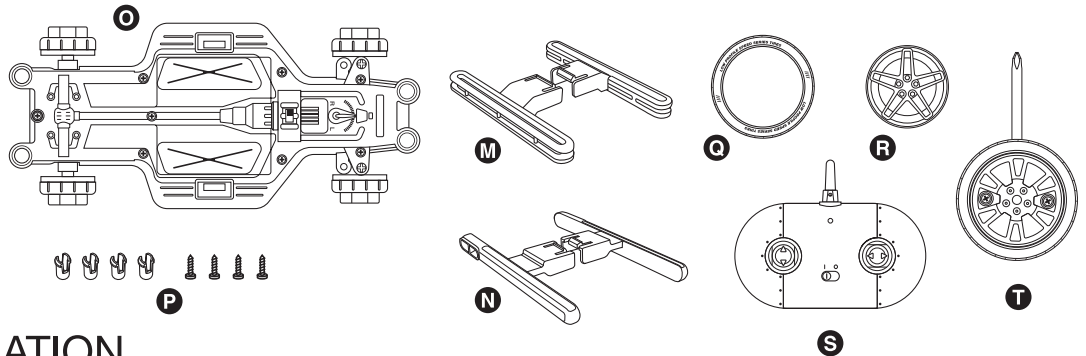
### Parts Unique to Your Utility Vehicle

- F. 1 x Utility Vehicle Shell
- G. 2 x Grill (same front and back)
- H. 1 x Rear Tire Cover (installed)
- I. 1 x Roof Rack (installed)
- J. 1 x Snorkel (installed)
- K. 4 x Off Road Tires
- L. 4 x Off Road Wheels



### Shared Parts

- M. 2 x Side Step
- N. 2 x Side Race Exhaust
- O. 1 x Chassis
- P. 8 x Chassis Mounts with Screws
- Q. 4 x Low Profile Race Tires
- R. 4 x Race Wheels
- S. 1 x Remote
- T. 1 x Screwdriver



## BATTERY INSTALLATION

The chassis requires 4 "AA" 1.5V battery (not included) and the remote requires one 9V battery (not included).

Use included Phillips head screwdriver to loosen the screw securing the corresponding battery cover plate. Insert the batterie(s), ensuring the correct polarity per the diagrams. Replace the battery cover and tighten the screw.

**Warning:** Changes or modifications to this unit not expressly approved by the party responsible for compliance could void the user's authority to operate the equipment.

This device complies with Part 15 of the FCC Rules. Operation is subject to the following two conditions: (1) this device may not cause harmful interference, and (2) this device must accept any interference received, including interference that may cause undesired operation.

**NOTE:** This equipment has been tested and found to comply with the limits for a Class B digital device, pursuant to Part 15 of the FCC Rules. These limits are designed to provide reasonable protection against harmful interference in a residential installation. This equipment generates, uses and can radiate radio frequency energy and, if not installed and used in accordance with the instructions, may cause harmful interference to radio communications. However, there is no guarantee that interference will not occur in a particular installation. If this equipment does cause harmful interference to radio or television reception, which can be determined by turning the equipment off and on, the user is encouraged to try to correct the interference by one or more of the following measures:

- Reorient or relocate the receiving antenna.
- Increase the separation between the equipment and receiver.
- Connect the equipment into an outlet on a circuit different from that to which the receiver is connected.
- Consult the dealer or an experienced radio/TV technician for help.

### SAFETY WARNINGS: PLEASE READ BEFORE USE

- For indoor use only. Avoid water when operating.
- Do not submerge car or controller in water.
- Do not use people or animals as obstacles.
- Do not run car into furniture objects or hard surfaces as this will cause damage to both the objects and car.
- Keep fingers, hair and loose clothing away from the tires, gears and motor while car is switched to "ON".
- Do not leave car or transmitter near sources of heat or under direct sunlight for long periods of time.
- Remove all batteries when not in use to avoid accidental operation.
- Adult supervision is recommended when operating car.
- Thoroughly inspect products before every use. If the product appears worn, frayed/splintered, cracked, or broken in any manner, discontinue use and discard immediately.

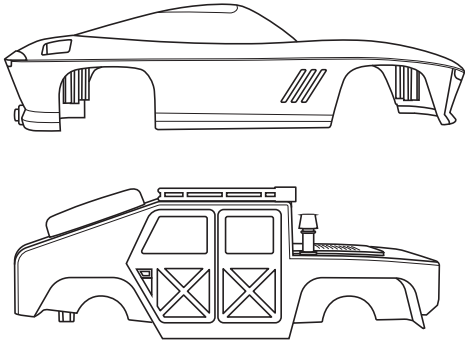
### ⚠ BATTERY WARNING:

- Do not mix old and new batteries.
- Do not mix alkaline, standard (carbon-zinc), or rechargeable batteries.
- Alkaline batteries are recommended. Use only the specified voltage.
- Insert batteries using the correct polarity. Always use, replace, and recharge (if applicable) batteries under adult supervision.
- Do not charge with non-rechargeable batteries.
- Do not short-circuit the battery supply terminals.
- Do not dispose of batteries in fire, batteries may explode or leak.
- Remove batteries before storing.
- Recycle or dispose of batteries according to federal, state, and local laws.
- Keep this package for future reference.

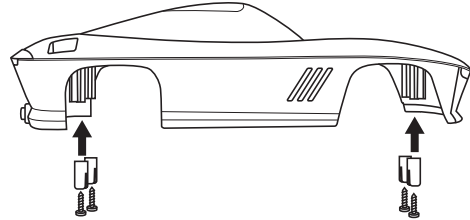
⚠ **WARNING:**  
CHOKING HAZARD - Small Parts.  
Not for Children under 3 years.

# RC CAR KIT

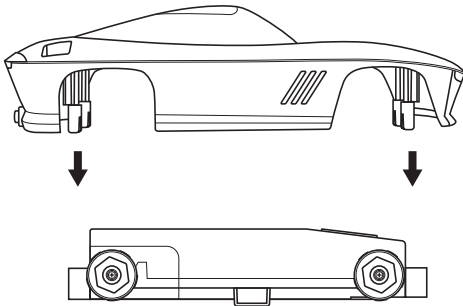
## BUILDING YOUR RIDE



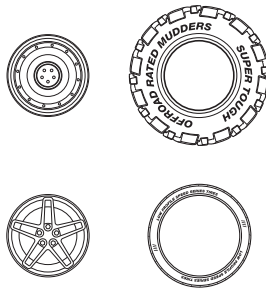
Choose a shell.



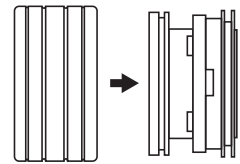
Install chassis mounts to the shell.



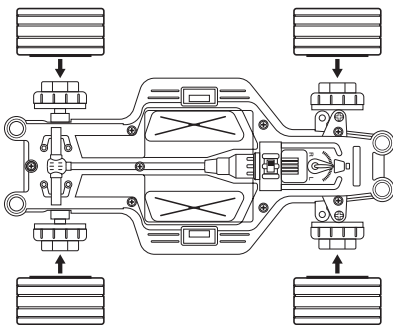
Snap the chassis to the shell.  
To switch shells, loosen the chassis mount screws using the included Screwdriver.



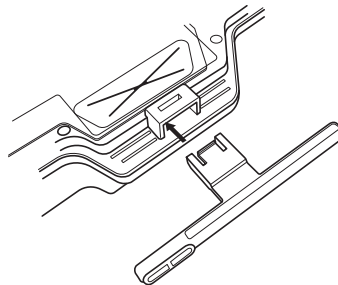
Choose your wheels and tires.



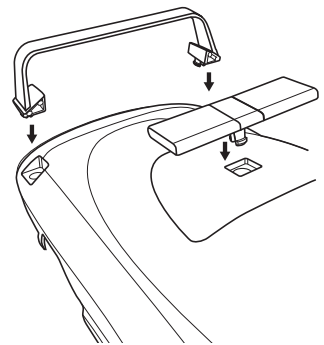
Mount your tires to your wheels.



Install your wheels to chassis until you hear a "click".  
Remove wheels by pulling straight out.



Snap side exhaust pipe or side step by snapping into side of chassis until you hear a "click". (reversible)



Install rear spoiler, roof light and hood scoop by snapping onto body shell. A "click" sound can be heard when parts are fully inserted.