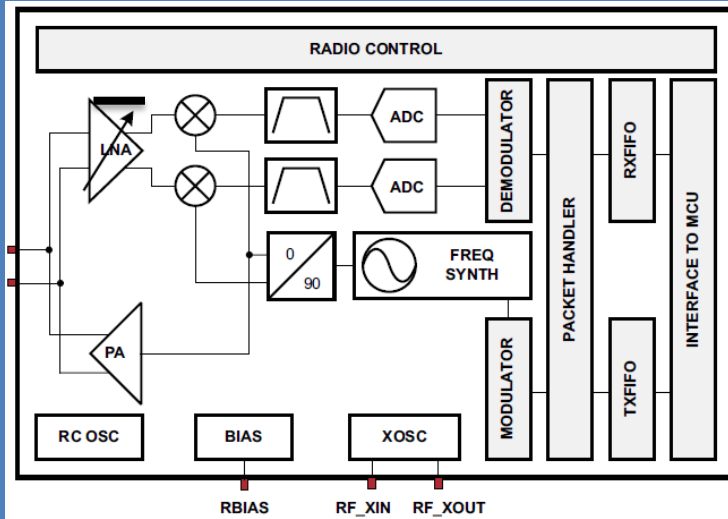


LC Display with Bus switch

Antenna

Matching



MCU

CC430F6137 SoC

26MHz XTAL

USB

Emulator & Backchannel UART

LEDs, Button, Light Sensor

Connector for MSP-EXP430F5137RF9 (optional)

MSP-EXP430F6137R9