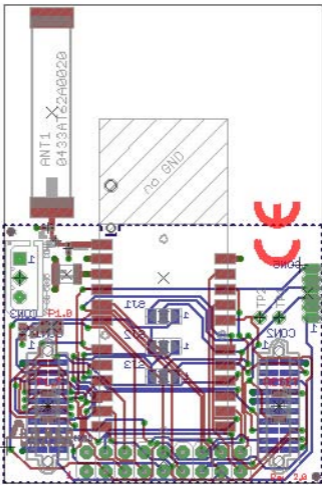


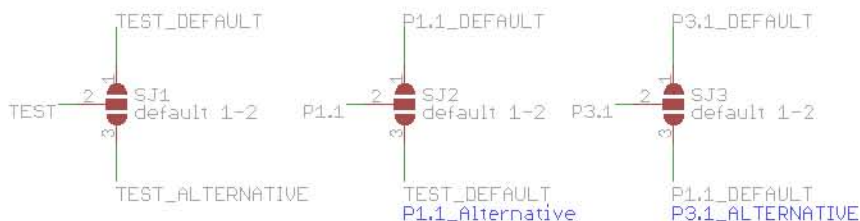
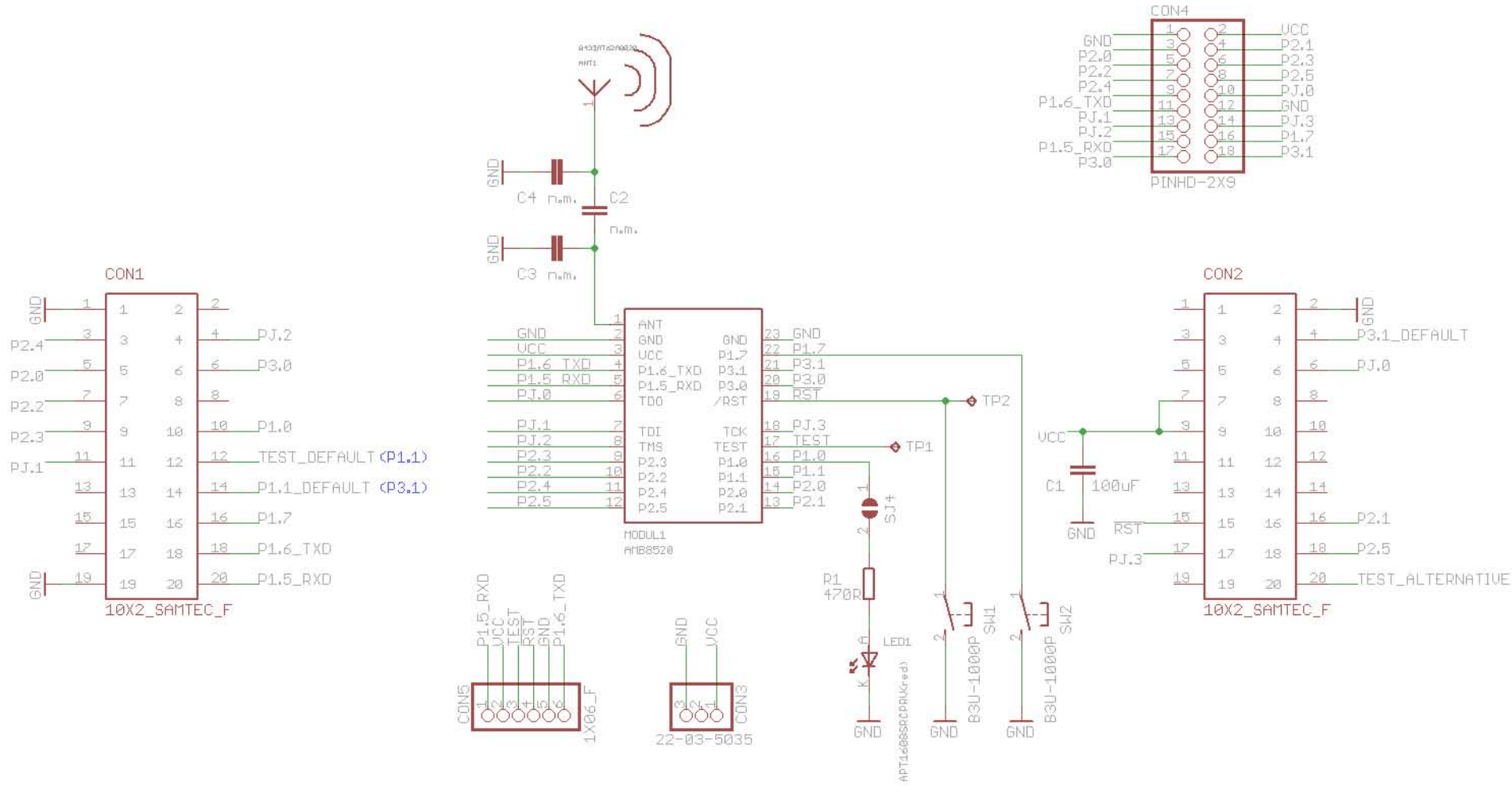
APCB1	PCB EM430F6147RF900 Rev3.4 or 3.4S
U1#	Socket for U1 (only for PCB Version 3.4S)
XJMP	14x Jumper/Shunt see Jumperlist
AVT1	Fiducial Mark Top-Seite
AVT2	Fiducial Mark Top-Seite
AVT3	Fiducial Mark Top-Seite
AVB1	Fiducial Mark Bottom-Seite
AVB2	Fiducial Mark Bottom-Seite
AVB3	Fiducial Mark Bottom-Seite



** Corresponding Layout Revisions:
 4.0 : U1 direct soldered
 4.0S : U1 with Socket, Soldermask zone

		TI Internal Data	MSP430
		Comment:	
Date:	Name:	EM430F6147RF900	
Design: 06.JUL.11	Cl.Kuch		
Appr.: 06.JUL.11	Cl.Kuch		
Rev.:		Title of Schematic	Revision: see **
File: EM430F6147RF900_4.0_(S)Schem		Page: 1 of 1	Mentor Pads Logic V9 Size: A3





AMBER WIRELESS		Satellite Board for CC-EXP430f6137RF9	
A100400		Customer: Texas Instruments	
MSP-EXP430F5137R9T_HW-U2		Autor: jb	
Date: 11/21/2012 12:23:13 AM		Sheet: 1/1	