

Description of label for the Texas Instruments EM430F6147RF900:

- Relevant imprints on PCB (Silkscreen)
 - o Product Number/name: bottom right (“EM430F6147RF900”)
 - o Vendor: right side “Texas Instruments”
 - o FCC ID: left side “FCC ID: Z64EM4F6147RF9”

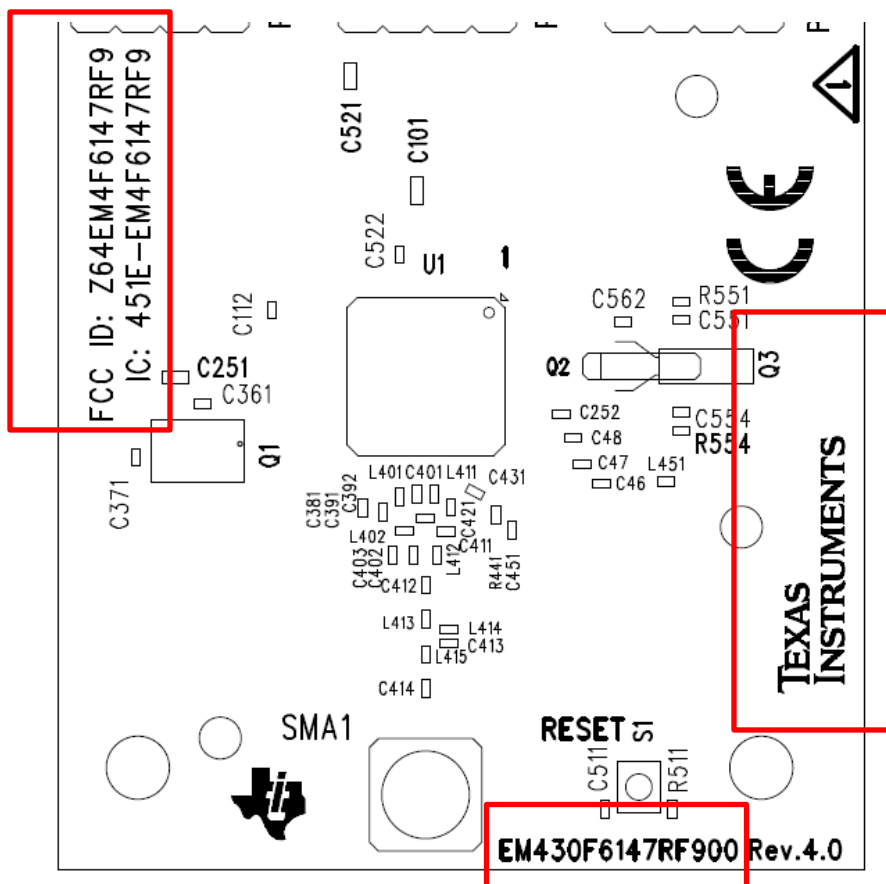


Figure 1: Enlarged image with imprint

Approx. 43 mm

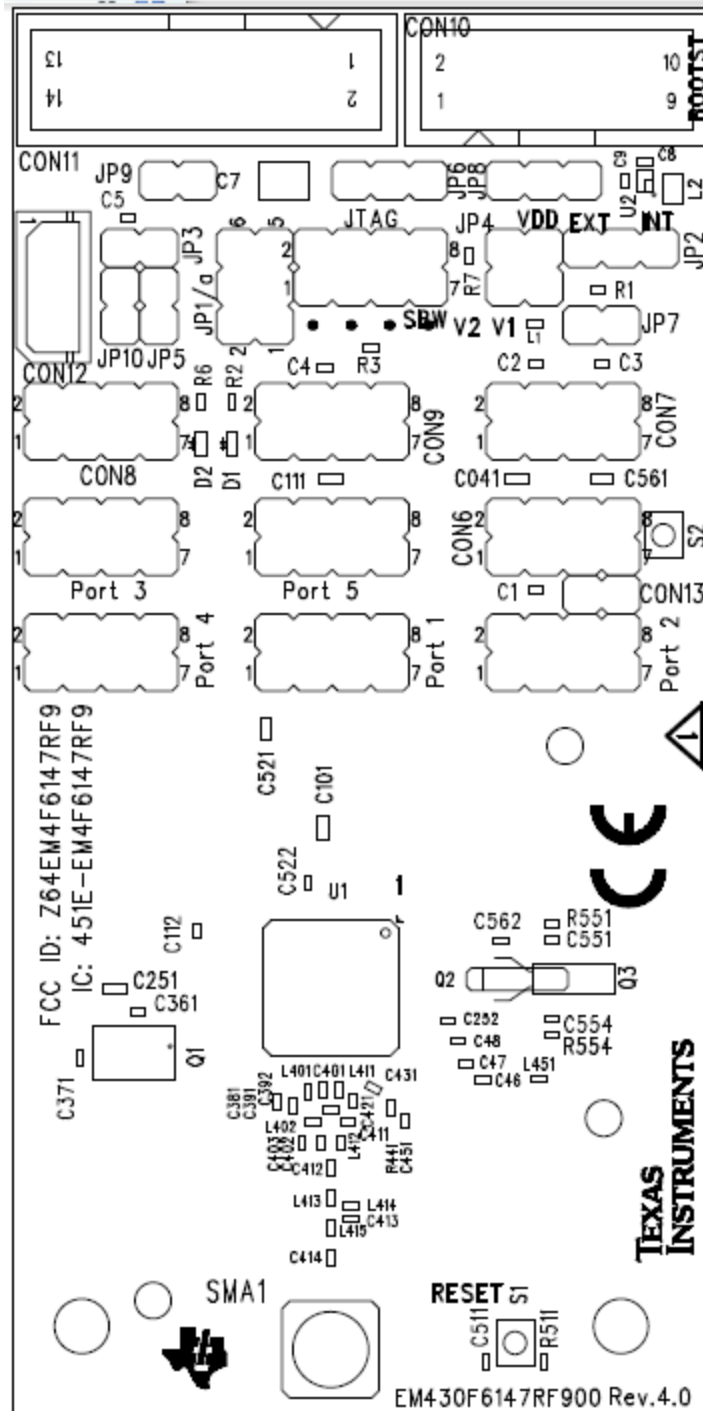


Figure 2: Full Board