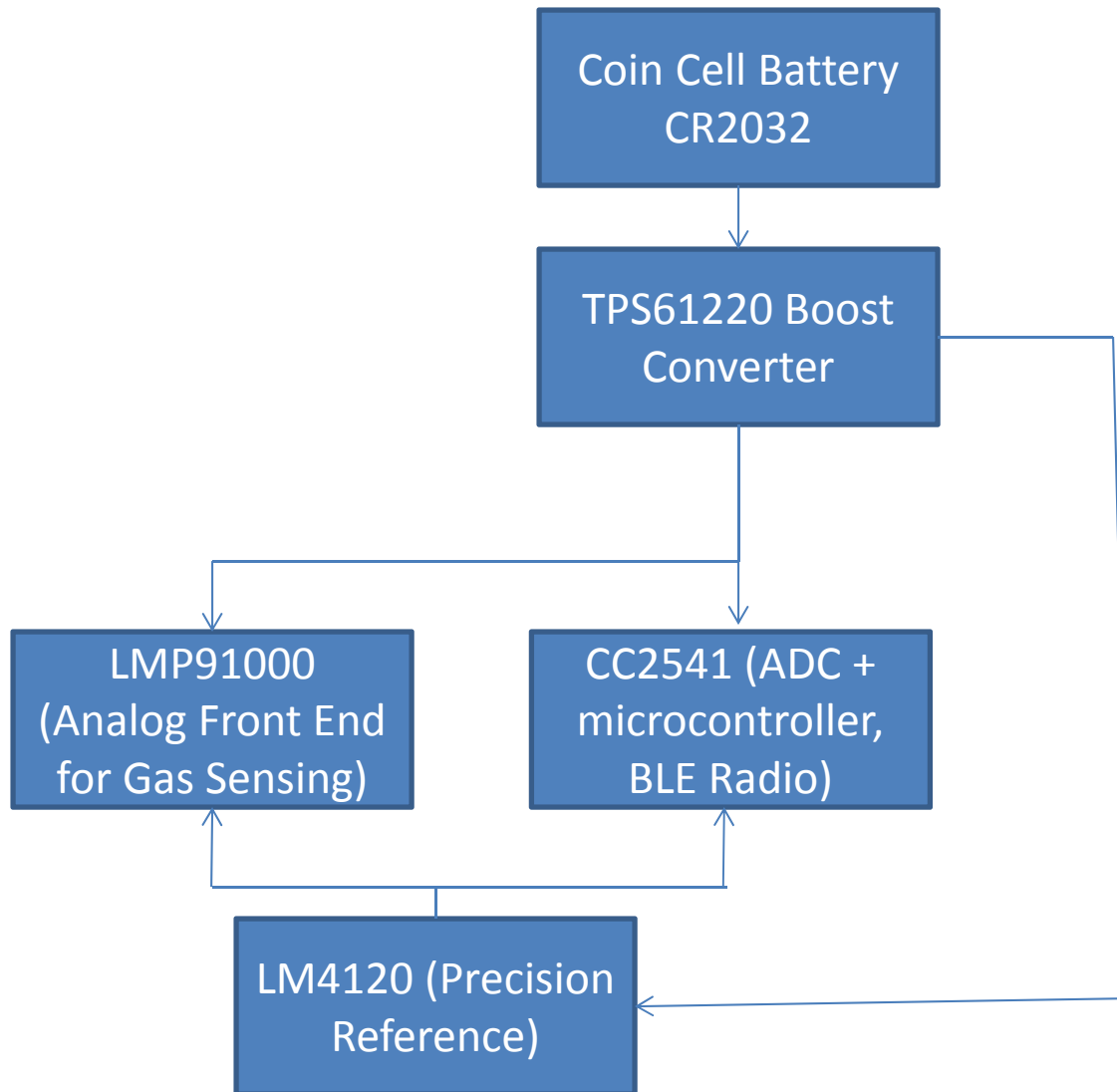
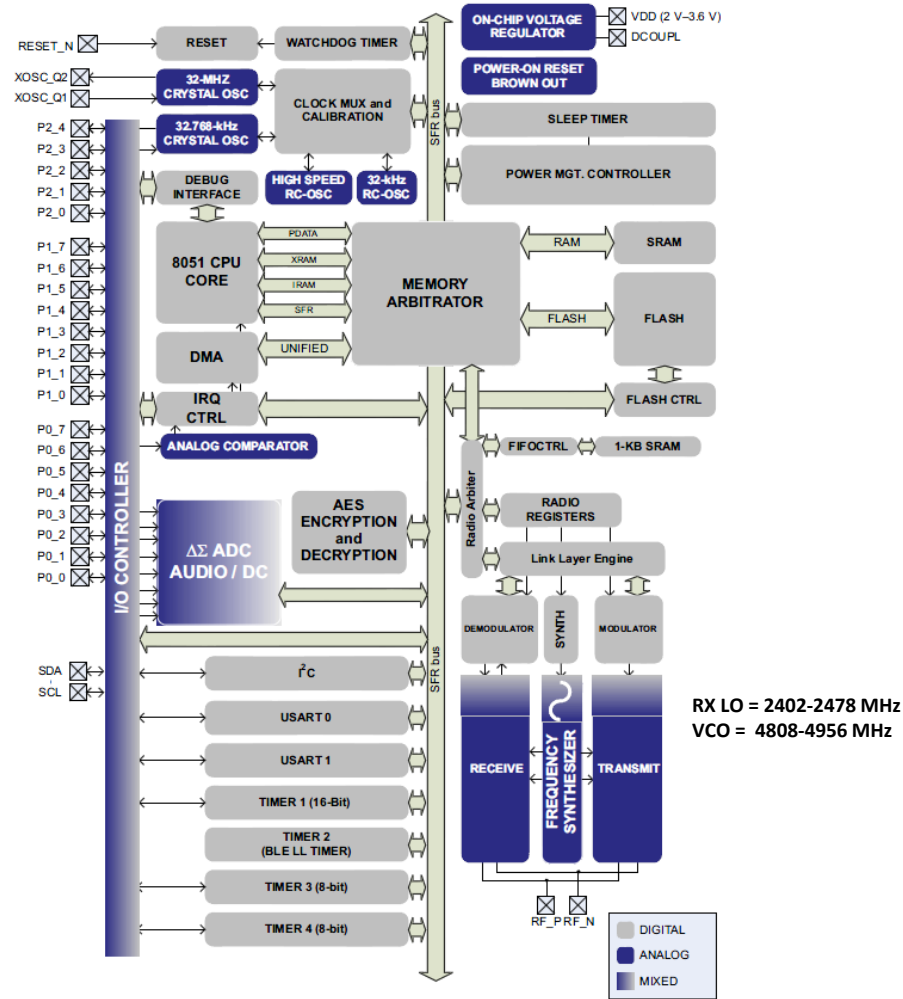


# Block Diagram



# Block Diagram – Must include frequency at all oscillators of the rf board



Block Diagram of the CC2541 (Bluetooth Low Energy Chip)