
CC3200-LAUNCHXL User's Guide, Ver 1.0**ABSTRACT**

This document describes the CC3200-LAUNCHXL (CC3200 Launchpad). It details the features of the hardware and also explains the correct usage of the board.

The 868/915 MHz RF boards in this kit are FCC and IC certified and tested to comply with ETSI/R&TTE over temperatures from 0 to +35°C.

FCC/IC Regulatory Compliance
FCC Part 15 Class A Compliant
IC ICES-003 Class A Compliant

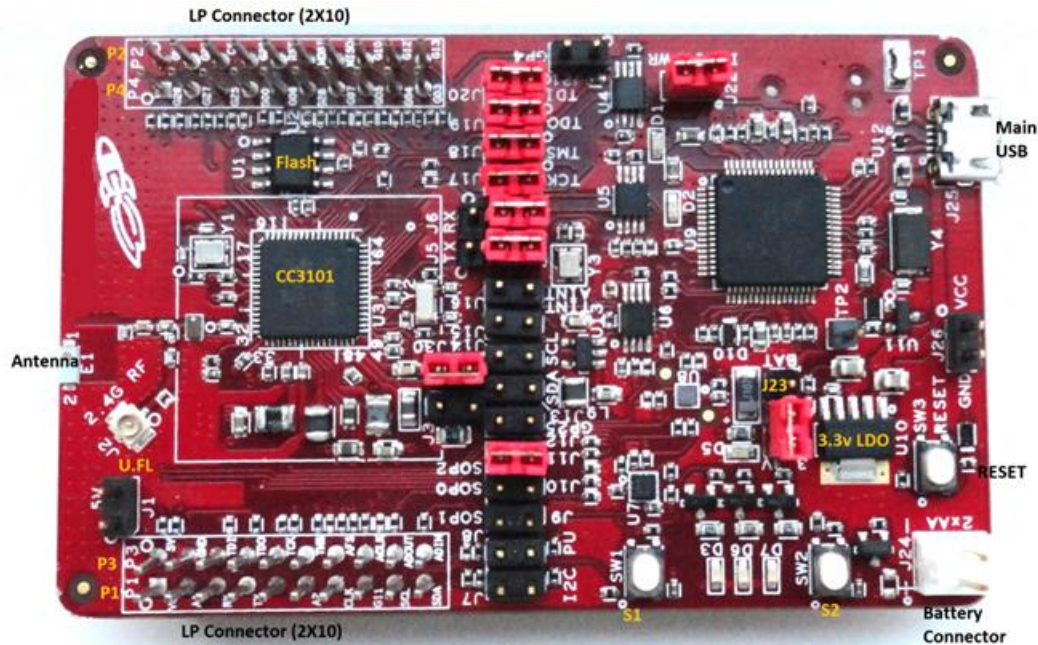
Contents

Introduction.....	2
Board overview	2
Features	3
Hardware description	4
Connector description	4
1.1.1.1 P1 connector assignment	4
1.1.1.2 P2 connector assignment	5
1.1.1.3 P3 connector assignment	5
1.1.1.4 P4 connector assignment	5
1.1.1.5 Jumper settings	6
1.1.2 Power selection.....	7
1.1.3 USB connections.....	7
1.1.4 JTAGsignals.....	7
1.1.5 User LEDs and push-buttons	8
1.1.6 On-board sensors	8
Hardware documents	8
LP V2.0 RevA- PG 1.11	8
Software Information.....	8
1.1.7 USB driver (For BP/LP).....	8

Introduction

Board overview

This board is designed to be used as a standalone development platform for application development using the CC3200 device. It can be also used in conjunction with compatible booster-packs to enhance the peripherals available in the system. The board features on-board emulation using FTDI device and has an array of sensors for an out of the box experience. This board can be directly connected to the PC using software development platforms including CCS and IAR.



Features

CC3200 WIFI application processor

USB interface to PC for CCS/IAR using XDS ICDI USB drivers

Flash update over the USB using Simple Link Programmer.

2x20 pin Connectors : Compatible to TI MCU Launch Pads with added functions.

Standalone development platform featuring sensors, LEDs and push-buttons

Power from USB for the launchpad as well as external boosterpack

Operates from 2xAA alkaline battery.

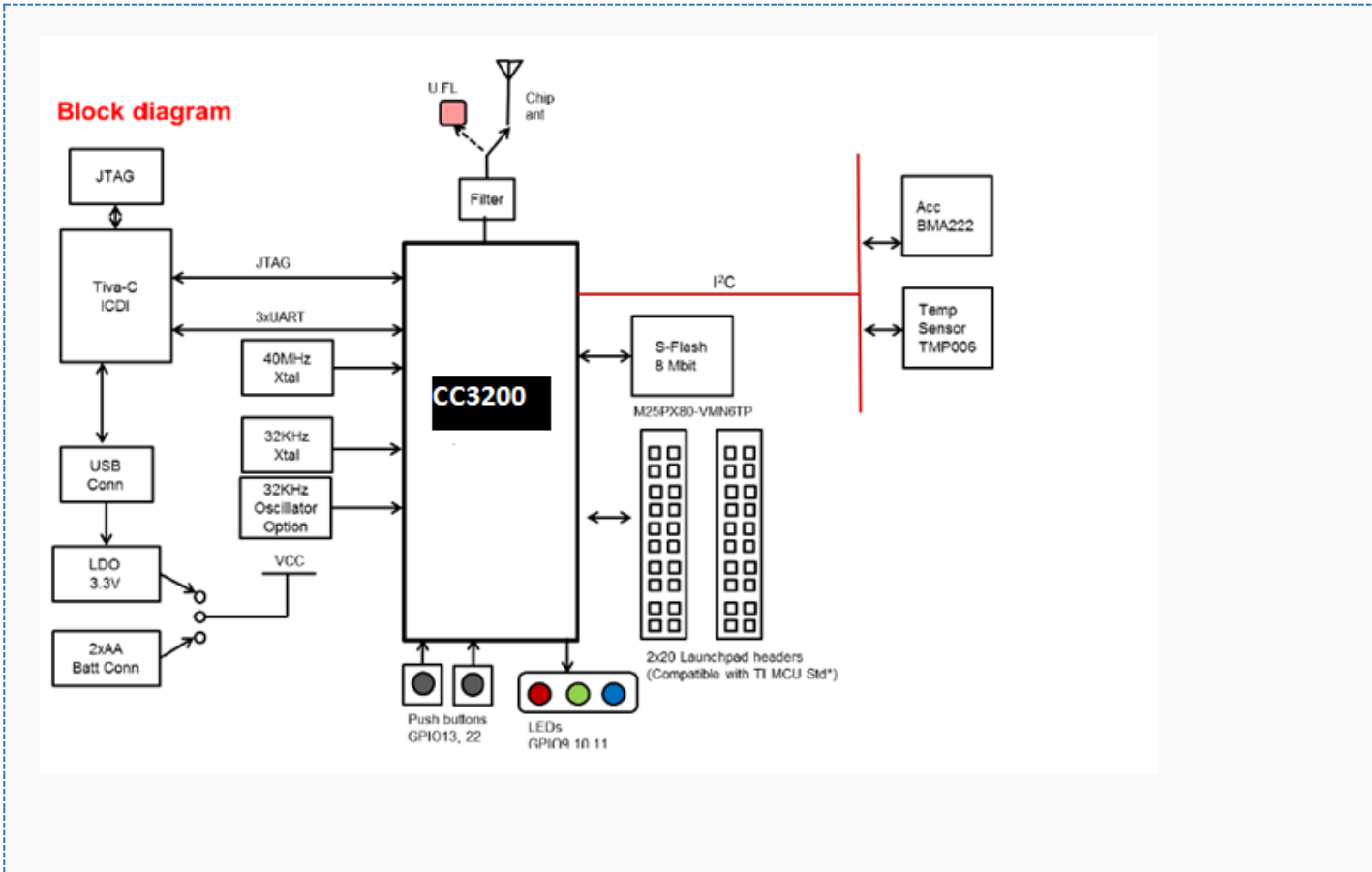
Push buttons for RESET

3 user LEDs

On-board antenna and U.FL connector selectable using a capacitor re-work.

Sensors including temperature, 3-axis accelerometer.

Hardware description



Connector description

1.1.1.1 P1 connector assignment

Pin No	Signal name	Direction w.r.t CC3200	Comments
P1.1	VCC(3.3V)	OUT	Max 100mA for peripherals
P1.2	GPIO03/ADC_CH2	IN	
P1.3	GPIO_02/UART1_RX	IN	
P1.4	GPIO_01/UART1_TX	OUT	
P1.5		OUT	UNUSED
P1.6	GPIO_04/ADC_CH3	IN	
P1.7	GPIO_14/SPI_CLK	OUT	
P1.8	GPIO_11		
P1.9	GPIO_10/GPIO_12/I2C_SCL	BD	2.2K pull-ups on board
P1.10	GPIO_11/GPIO_13/I2C_SDA	BD	2.2K pull-ups on board

1.1.1.2 P2 connector assignment

Pin No	Signal name	Direction w.r.t CC3200	Comments
P2.1	GND	PWR	
P2.2	GPIO_22	OUT	
P2.3	GPIO_17/SPI_CS	OUT	
P2.4	GPIO_28	OUT	
P2.5	RESET	OUT	Reset output from board
P2.6	GPIO_16/SPI_DOUT	OUT	
P2.7	GPIO_15/SPI_DIN	IN	
P2.8	GPIO_10	BD	
P2.9	GPIO_12	BD	
P2.10	GPIO_13	BD	

1.1.1.3 P3 connector assignment

Pin No	Signal name	Direction w.r.t CC3200	Comments
P3.1	5V		
P3.2	GND		
P3.3	GPIO_23/TDI	IN	
P3.4	GPIO_24/TDO	OUT	
P3.5	GPIO_28/TCK	IN	
P3.6	GPIO_29/TMS	IN	
P3.7	GPIO_08/AUD_SYNC	OUT	
P3.8	GPIO_30/AUD_CLK	OUT	
P3.9	GPIO_09/AUD_DOUT	OUT	
P3.10	GPIO_00/AUD_DIN	IN	

1.1.1.4 P4 connector assignment

Pin No	Signal name	Direction w.r.t CC3200	Comments
P4.1	GPIO_26	OUT	
P4.2	GPIO_27	OUT	
P4.3	GPIO_25	OUT	
P4.4	GPIO_00/GPIO_07/UART1_RTS	OUT	

P4.5	GPIO_06/UART1_CTS	IN	
P4.6	GPIO_28	I/O	
P4.7	GPIO_07/NWP_LOGGER	OUT	
P4.8	GPIO_05/WLAN_LOGGER	OUT	
P4.9	GPIO_04/WL_RS232_RX	IN	
P4.10	GPIO_03/WL_RS232_TX	OUT	

1.1.1.5 Jumper settings

1.1.1.5.1 Power

Reference	Function	Value	Comments
J22	ICDI Power	Closed	Supplies 3.3V to the ICDI
J23	Board power	2-3	Supplies 3.3V to the board from USB
		1-2	Supplies power to the board from battery

1.1.1.5.2 I2C

Reference	Function	Value	Comments
J7	Pull-up on SDA	Closed	Enable 3.3K pull-ups on the SDA
J8	Pull-up on SCL	Closed	Enable 3.3K pull-ups on the SDA
J13	SDA	Closed	Connect on-board sensors to I2C bus
J14	SCL	Closed	Connect on-board sensors to I2C bus

1.1.1.5.3 UART

Reference	Function	Value	Comments
J5	UART TX	1-2	Routes UART to 2x20 pin for Booster pack
		2-3	Routes UART to ICDI for flash programming.
J6	UART RX	1-2	Routes UART to 2x20 pin for Booster pack
		2-3	Routes UART to ICDI for flash programming

1.1.1.5.4 Operating modes (Debug)

Mode	SOP2	SOP1	SOP0
	J11	J9	J10
Functional mode with 4 Wire JTAG	0	0	0
Functional Mode with 2 Wire SWD	0	0	1
Flash programming mode over UART	1	0	0

Note : '0' indicates jumper is open

1.1.2 Power selection

The board can be powered from the USB connector using the on-board LDO (3.3V) or using an external battery (2xAA). The battery is connected to J24. There is built-in reverse polarity protection for the battery connector.

The selection between the battery and USB power is performed using the jumper J23.

J23(1-2) [Battery powered]

J23(2-3) [USB powered]

1.1.3 USB connections

The Launchpad features an USB connector labelled J25.

J25 is used to power the board and also for the JTAG emulation and UART ports. Currently only one UART port for the flash programming is provided on the board. The board requires the installation of Stellaris ICDI Drivers to be installed for proper operation. This is provided as part of the SDK release.

1.1.4 JTAGsignals

The JTAG lines are brought out on separate headers on the PCB. The jumpers are shorted to connect the CC3200 JTAG to the ICDI device on-board. To use an external emulator, these jumpers have to be un-installed and the JTAG signals to be connected on the jumpers below.

JTAG connector

Pin No	Signal	Direction
J17	TCK	In
J18	TMS	In
J19	TDO	Out

J20	TDI	In
-----	-----	----

1.1.5 User LEDs and push-buttons

There are 3 user LEDs on the board along with 2 push buttons. The usage can be controlled by the application program.

Signal mapping

Reference	Colour	GPIO mapping	comment
D7	GREEN	GPIO_11	Glows when GPIO = 1.
D6	YELLOW	GPIO_10	Glows when GPIO = 1.
D3	RED	GPIO_09	Glows when GPIO = 1.
SW1	NA	GPIO_13	High when pressed.
SW2	NA	GPIO_22	High when pressed.

1.1.6 On-board sensors

There are two sensors on the board which are connected to the I2C bus. The sensors can be isolated from the I2C bus using the jumpers J14 and J13. By default the pull-ups on the I2C are not enabled. To enable these install jumpers J7 and J8.

The sensors available on the board are listed below with their address

Reference	Part No	Type	Address
U8	TMP006	Temperature sensor	0x41
U7	BMA222	3-Axis Accelerometer	0X18

Hardware documents

LP V2.0 RevA- PG 1.11

Schematics	Schematics
Assembly diagram	Placement diagram
Bill of materials	Bill of materials
ECO List (Changes made to the sch/bom)	
Gerber Files	pcb (Gerber) files

Software Information

1.1.7 USB driver (For BP/LP)

For Windows (XP, Win7) [Link](#)

EVALUATION BOARD/KIT/MODULE (EVM) ADDITIONAL TERMS

Texas Instruments (TI) provides the enclosed Evaluation Board/Kit/Module (EVM) under the following conditions:

The user assumes all responsibility and liability for proper and safe handling of the goods. Further, the user indemnifies TI from all claims arising from the handling or use of the goods.

Should this evaluation board/kit not meet the specifications indicated in the User's Guide, the board/ kit may be returned within 30 days from the date of delivery for a full refund. THE FOREGOING LIMITED WARRANTY IS THE EXCLUSIVE WARRANTY MADE BY SELLER TO BUYER AND IS IN LIEU OF ALL OTHER WARRANTIES, EXPRESSED, IMPLIED, OR STATUTORY, INCLUDING ANY WARRANTY OF MERCHANTABILITY OR FITNESS FOR ANY PARTICULAR PURPOSE. EXCEPT TO THE EXTENT OF THE INDEMNITY SET FORTH ABOVE, NEITHER PARTY SHALL BE LIABLE TO THE OTHER FOR ANY INDIRECT, SPECIAL, INCIDENTAL, OR CONSEQUENTIAL DAMAGES.

Please read the User's Guide and, specifically, the Warnings and Restrictions notice in the User's Guide prior to handling the product. This notice contains important safety information about temperatures and voltages. For additional information on TI's environmental and/or safety programs, please visit www.ti.com/esh or contact TI.

No license is granted under any patent right or other intellectual property right of TI covering or relating to any machine, process, or combination in which such TI products or services might be or are used. TI currently deals with a variety of customers for products, and therefore our arrangement with the user is not exclusive. TI assumes no liability for applications assistance, customer product design, software performance, or infringement of patents or services described herein.

REGULATORY COMPLIANCE INFORMATION

As noted in the EVM User's Guide and/or EVM itself, this EVM and/or accompanying hardware may or may not be subject to the Federal Communications Commission (FCC) and Industry Canada (IC) rules.

For EVMs **not** subject to the above rules, this evaluation board/kit/module is intended for use for ENGINEERING DEVELOPMENT, DEMONSTRATION OR EVALUATION PURPOSES ONLY and is not considered by TI to be a finished end product fit for general consumer use. It generates, uses, and can radiate radio frequency energy and has not been tested for compliance with the limits of computing devices pursuant to part 15 of FCC or ICES-003 rules, which are designed to provide reasonable protection against radio frequency interference. Operation of the equipment may cause interference with radio communications, in which case the user at his own expense will be required to take whatever measures may be required to correct this interference.

General Statement for EVMs including a radio

User Power/Frequency Use Obligations: This radio is intended for development/professional use only in legally allocated frequency and power limits. Any use of radio frequencies and/or power availability of this EVM and its development application(s) must comply with local laws governing radio spectrum allocation and power limits for this evaluation module. It is the user's sole responsibility to only operate this radio in legally acceptable frequency space and within legally mandated power limitations. Any exceptions to this is strictly prohibited and unauthorized by Texas Instruments unless user has obtained appropriate experimental/development licenses from local regulatory authorities, which is responsibility of user including its acceptable authorization.

For EVMs annotated as FCC – FEDERAL COMMUNICATIONS COMMISSION Part 15 Compliant**Caution**

This device complies with part 15 of the FCC Rules. Operation is subject to the following two conditions: (1) This device may not cause harmful interference, and (2) this device must accept any interference received, including interference that may cause undesired operation.

Changes or modifications not expressly approved by the party responsible for compliance could void the user's authority to operate the equipment.

FCC Interference Statement for Class A EVM devices

This equipment has been tested and found to comply with the limits for a Class A digital device, pursuant to part 15 of the FCC Rules. These limits are designed to provide reasonable protection against harmful interference when the equipment is operated in a commercial environment. This equipment generates, uses, and can radiate radio frequency energy and, if not installed and used in accordance with the instruction manual, may cause harmful interference to radio communications. Operation of this equipment in a residential area is likely to cause harmful interference in which case the user will be required to correct the interference at his own expense.

FCC Interference Statement for Class B EVM devices

This equipment has been tested and found to comply with the limits for a Class B digital device, pursuant to part 15 of the FCC Rules. These limits are designed to provide reasonable protection against harmful interference in a residential installation. This equipment generates, uses and can radiate radio frequency energy and, if not installed and used in accordance with the instructions, may cause harmful interference to radio communications. However, there is no guarantee that interference will not occur in a particular installation. If this equipment does cause harmful interference to radio or television reception, which can be determined by turning the equipment off and on, the user is encouraged to try to correct the interference by one or more of the following measures:

- Reorient or relocate the receiving antenna.
 - Increase the separation between the equipment and receiver.
 - Connect the equipment into an outlet on a circuit different from that to which the receiver is connected.
 - Consult the dealer or an experienced radio/TV technician for help.
-

For EVMs annotated as IC – INDUSTRY CANADA Compliant

This Class A or B digital apparatus complies with Canadian ICES-003.

Changes or modifications not expressly approved by the party responsible for compliance could void the user's authority to operate the equipment.

Concerning EVMs including radio transmitters

This device complies with Industry Canada licence-exempt RSS standard(s). Operation is subject to the following two conditions: (1) this device may not cause interference, and (2) this device must accept any interference, including interference that may cause undesired operation of the device.

Concerning EVMs including detachable antennas

Under Industry Canada regulations, this radio transmitter may only operate using an antenna of a type and maximum (or lesser) gain approved for the transmitter by Industry Canada. To reduce potential radio interference to other users, the antenna type and its gain should be so chosen that the equivalent isotropically radiated power (e.i.r.p.) is not more than that necessary for successful communication.

This radio transmitter has been approved by Industry Canada to operate with the antenna types listed in the user guide with the maximum permissible gain and required antenna impedance for each antenna type indicated. Antenna types not included in this list, having a gain greater than the maximum gain indicated for that type, are strictly prohibited for use with this device.

~

Cet appareil numérique de la classe A ou B est conforme à la norme NMB-003 du Canada.

Les changements ou les modifications pas expressément approuvés par la partie responsable de la conformité ont pu vider l'autorité de l'utilisateur pour actionner l'équipement.

Concernant les EVMs avec appareils radio

Le présent appareil est conforme aux CNR d'Industrie Canada applicables aux appareils radio exempts de licence. L'exploitation est autorisée aux deux conditions suivantes : (1) l'appareil ne doit pas produire de brouillage, et (2) l'utilisateur de l'appareil doit accepter tout brouillage radioélectrique subi, même si le brouillage est susceptible d'en compromettre le fonctionnement.

Concernant les EVMs avec antennes détachables

Conformément à la réglementation d'Industrie Canada, le présent émetteur radio peut fonctionner avec une antenne d'un type et d'un gain maximal (ou inférieur) approuvé pour l'émetteur par Industrie Canada. Dans le but de réduire les risques de brouillage radioélectrique à l'intention des autres utilisateurs, il faut choisir le type d'antenne et son gain de sorte que la puissance isotrope rayonnée équivalente (p.i.r.e.) ne dépasse pas l'intensité nécessaire à l'établissement d'une communication satisfaisante.

Le présent émetteur radio a été approuvé par Industrie Canada pour fonctionner avec les types d'antenne énumérés dans le manuel d'usage et ayant un gain admissible maximal et l'impédance requise pour chaque type d'antenne. Les types d'antenne non inclus dans cette liste, ou dont le gain est supérieur au gain maximal indiqué, sont strictement interdits pour l'exploitation de l'émetteur.

【Important Notice for Users of this Product in Japan】

This development kit is NOT certified as Confirming to Technical Regulations of Radio Law of Japan!

If you use this product in Japan, you are required by Radio Law of Japan to follow the instructions below with respect to this product:

(1) Use this product in a shielded room or any other test facility as defined in the notification #173 issued by Ministry of Internal Affairs and Communications on March 28, 2006, based on Sub-section 1.1 of Article 6 of the Ministry's Rule for Enforcement of Radio Law of Japan,

(2) Use this product only after you obtained the license of Test Radio Station as provided in Radio Law of Japan with respect to this product, or

(3) Use of this product only after you obtained the Technical Regulations Conformity Certification as provided in Radio Law of Japan with respect to this product.

Also, please do not transfer this product, unless you give the same notice above to the transferee.

Please note that if you could not follow the instructions above, you will be subject to penalties of Radio Law of Japan.

Texas Instruments Japan Limited
(address) 24-1, Nishi-Shinjuku 6 chome, Shinjuku-ku, Tokyo, Japan

<http://www.tij.co.jp>

【ご使用にあたっての注意】

本開発キットは技術基準適合証明を受けておりません。

本製品のご使用に際しては、電波法遵守のため、以下のいずれかの措置を取っていただく必要がありますのでご注意ください。

(1) 電波法施行規則第6条第1項第1号に基づく平成18年3月28日総務省告示第173号で定められた電波暗室等の試験設備でご使用いただく。

(2) 実験局の免許を取得後ご使用いただく。

(3) 技術基準適合証明を取得後ご使用いただく。

なお、本製品は、上記の「ご使用にあたっての注意」を譲渡先、移転先に通知しない限り、譲渡、移転できないものとします。

上記を遵守頂けない場合は、電波法の罰則が適用される可能性があることをご留意ください。

日本テキサス・インスツルメンツ株式会社

東京都新宿区西新宿6丁目24番1号

西新宿三井ビル

<http://www.tij.co.jp>

**EVALUATION BOARD/KIT/MODULE (EVM)
WARNINGS, RESTRICTIONS AND DISCLAIMERS**

For Feasibility Evaluation Only, in Laboratory/Development Environments. Unless otherwise indicated, this EVM is not a finished electrical equipment and not intended for consumer use. It is intended solely for use for preliminary feasibility evaluation in laboratory/development environments by technically qualified electronics experts who are familiar with the dangers and application risks associated with handling electrical mechanical components, systems and subsystems. It should not be used as all or part of a finished end product.

Your Sole Responsibility and Risk. You acknowledge, represent and agree that:

1. You have unique knowledge concerning Federal, State and local regulatory requirements (including but not limited to Food and Drug Administration regulations, if applicable) which relate to your products and which relate to your use (and/or that of your employees, affiliates, contractors or designees) of the EVM for evaluation, testing and other purposes.
2. You have full and exclusive responsibility to assure the safety and compliance of your products with all such laws and other applicable regulatory requirements, and also to assure the safety of any activities to be conducted by you and/or your employees, affiliates, contractors or designees, using the EVM. Further, you are responsible to assure that any interfaces (electronic and/or mechanical) between the EVM and any human body are designed with suitable isolation and means to safely limit accessible leakage currents to minimize the risk of electrical shock hazard.
3. You will employ reasonable safeguards to ensure that your use of the EVM will not result in any property damage, injury or death, even if the EVM should fail to perform as described or expected.
4. You will take care of proper disposal and recycling of the EVM's electronic components and packing materials.

Certain Instructions. It is important to operate this EVM within TI's recommended specifications and environmental considerations per the user guidelines. Exceeding the specified EVM ratings (including but not limited to input and output voltage, current, power, and environmental ranges) may cause property damage, personal injury or death. If there are questions concerning these ratings please contact a TI field representative prior to connecting interface electronics including input power and intended loads. Any loads applied outside of the specified output range may result in unintended and/or inaccurate operation and/or possible permanent damage to the EVM and/or interface electronics. Please consult the EVM User's Guide prior to connecting any load to the EVM output. If there is uncertainty as to the load specification, please contact a TI field representative. During normal operation, some circuit components may have case temperatures greater than 60°C as long as the input and output are maintained at a normal ambient operating temperature. These components include but are not limited to linear regulators, switching transistors, pass transistors, and current sense resistors which can be identified using the EVM schematic located in the EVM User's Guide. When placing measurement probes near these devices during normal operation, please be aware that these devices may be very warm to the touch. As with all electronic evaluation tools, only qualified personnel knowledgeable in electronic measurement and diagnostics normally found in development environments should use these EVMs.

Agreement to Defend, Indemnify and Hold Harmless. You agree to defend, indemnify and hold TI, its licensors and their representatives harmless from and against any and all claims, damages, losses, expenses, costs and liabilities (collectively, "Claims") arising out of or in connection with any use of the EVM that is not in accordance with the terms of the agreement. This obligation shall apply whether Claims arise under law of tort or contract or any other legal theory, and even if the EVM fails to perform as described or expected.

Safety-Critical or Life-Critical Applications. If you intend to evaluate the components for possible use in safety critical applications (such as life support) where a failure of the TI product would reasonably be expected to cause severe personal injury or death, such as devices which are classified as FDA Class III or similar classification, then you must specifically notify TI of such intent and enter into a separate Assurance and Indemnity Agreement.

Mailing Address: Texas Instruments Post Office Box 655303 Dallas, Texas 75265

Copyright 2012, Texas Instruments Incorporated