

5

4

3

2

1

D

D

Revision History
Changes compared to Ver2.0 RevB

- 1. Added push button for nHIB
- 2. Added Murata Connector for RF test
- 3. Added LED for nRESET
- 4. Routed the VDD_FLASH to 3.3V
- 4.

C

C

B

B

A

A

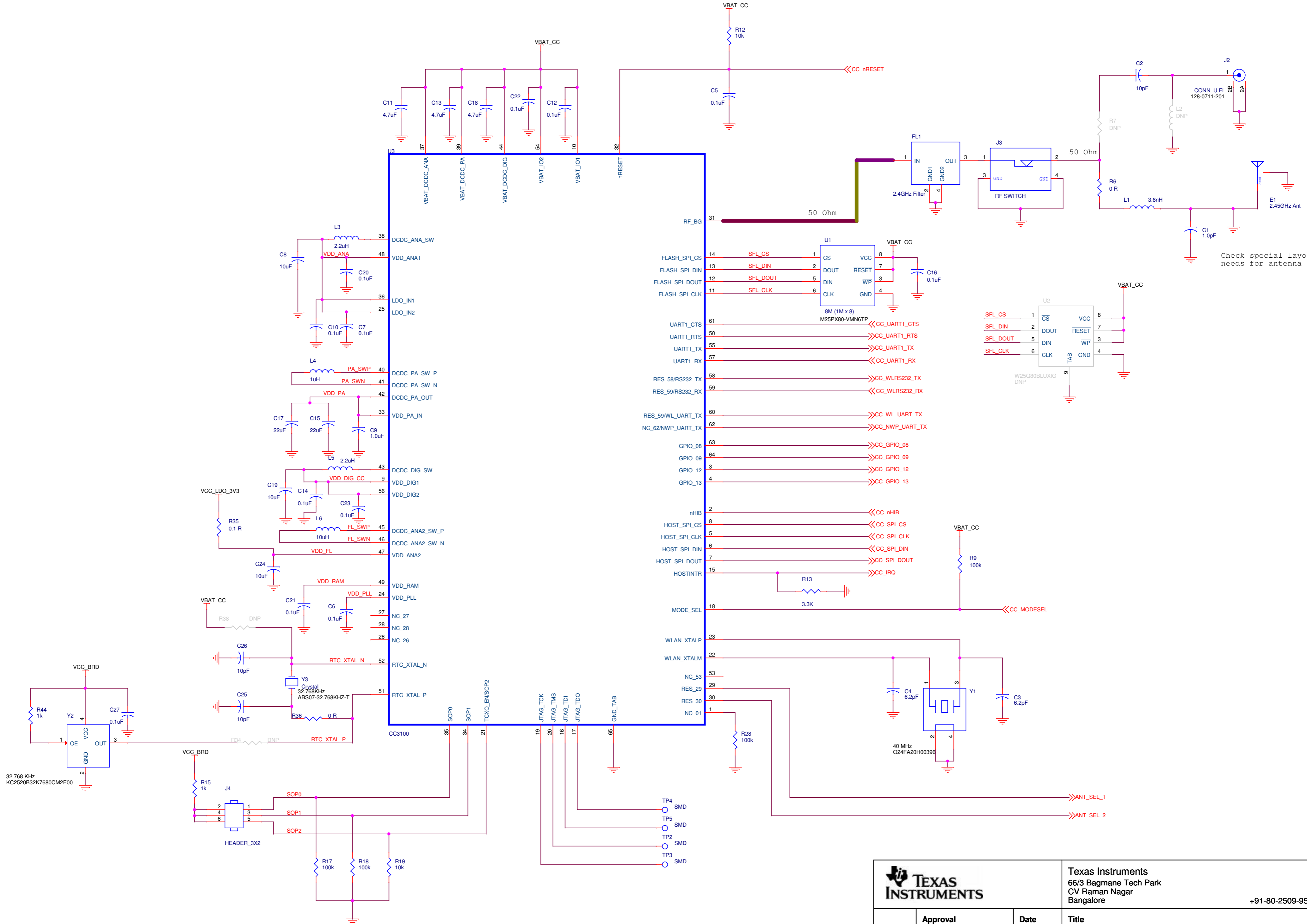
5

4

3

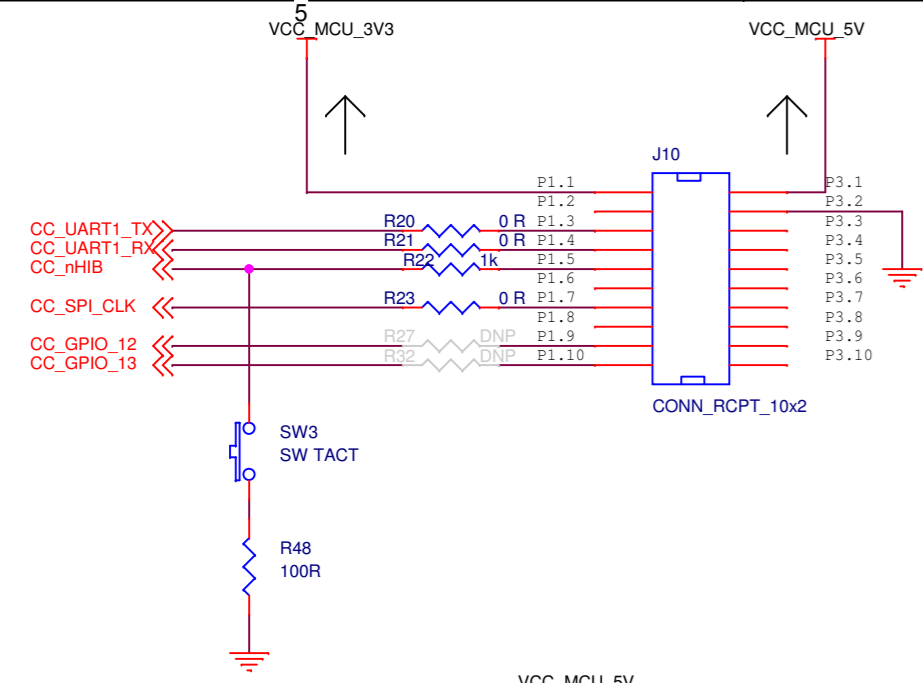
2

1

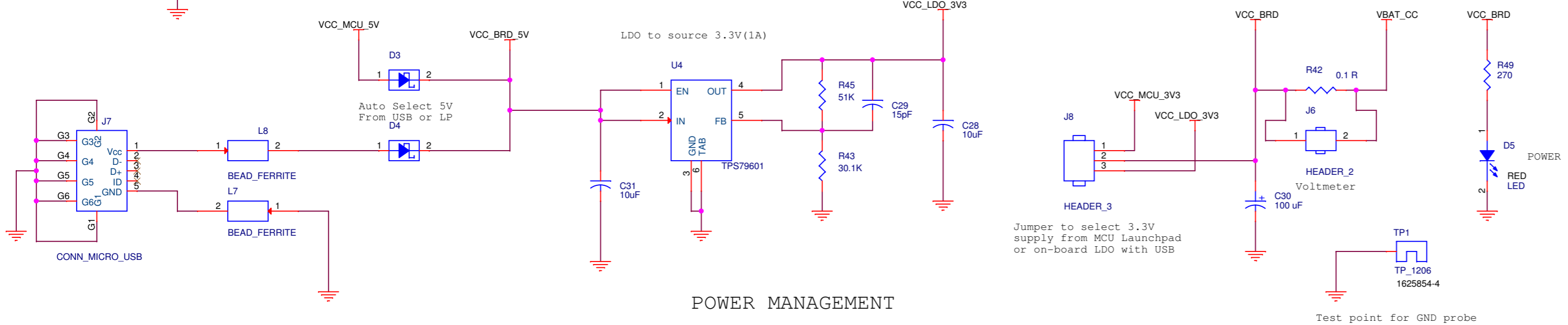
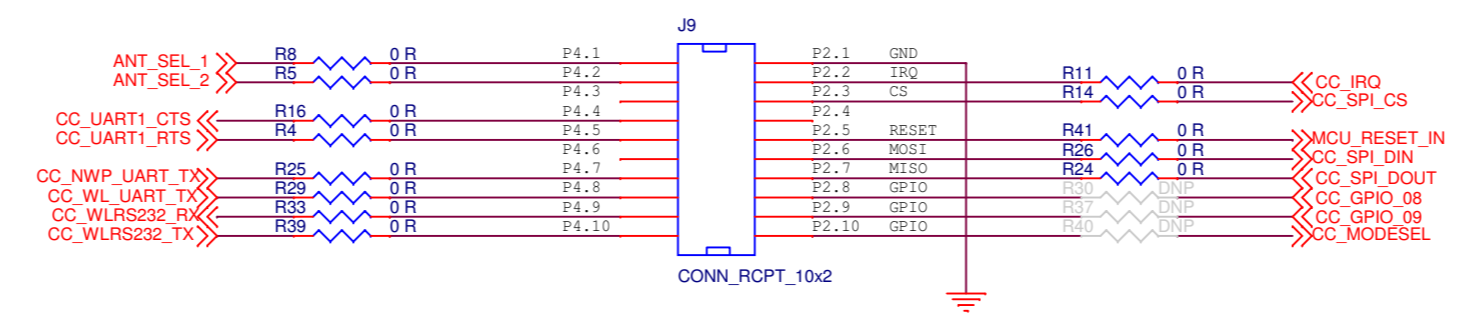


Check special layout needs for antenna

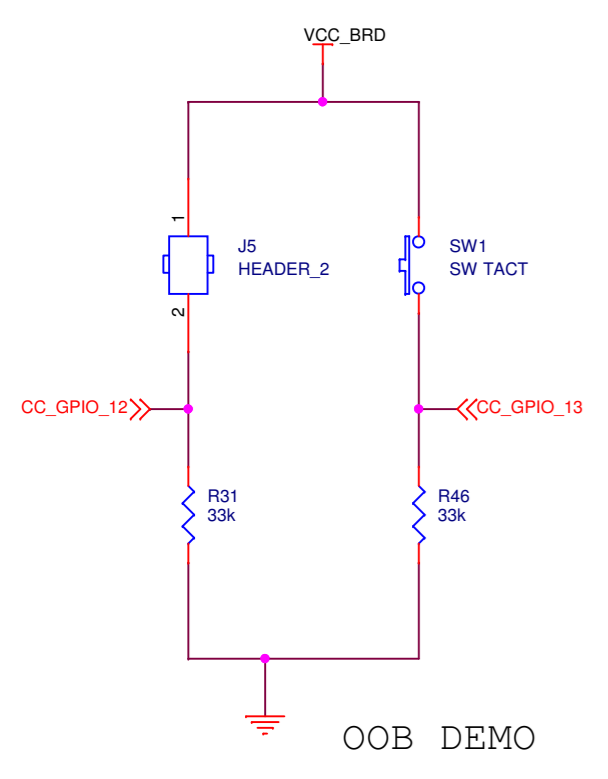
		Texas Instruments 66/3 Bagmane Tech Park CV Raman Nagar Bangalore +91-80-2509-9599		
		Approval	Date	Title
Designer	Prajay M	Date	CC3100BOOST REL1	
Drawn By	Prajay M	Date	Size A2	Project No <Project Number>
Layout	Tessolve	Date	Scale	Rev 2.0C
			Date	Sheet 1 of 3



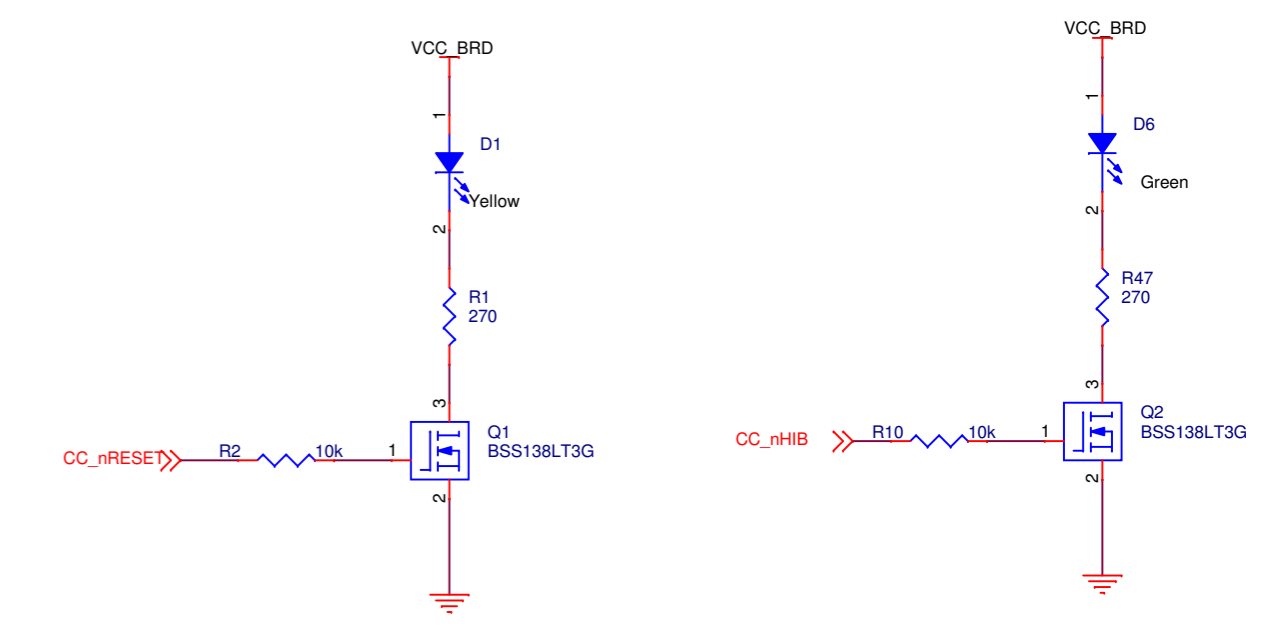
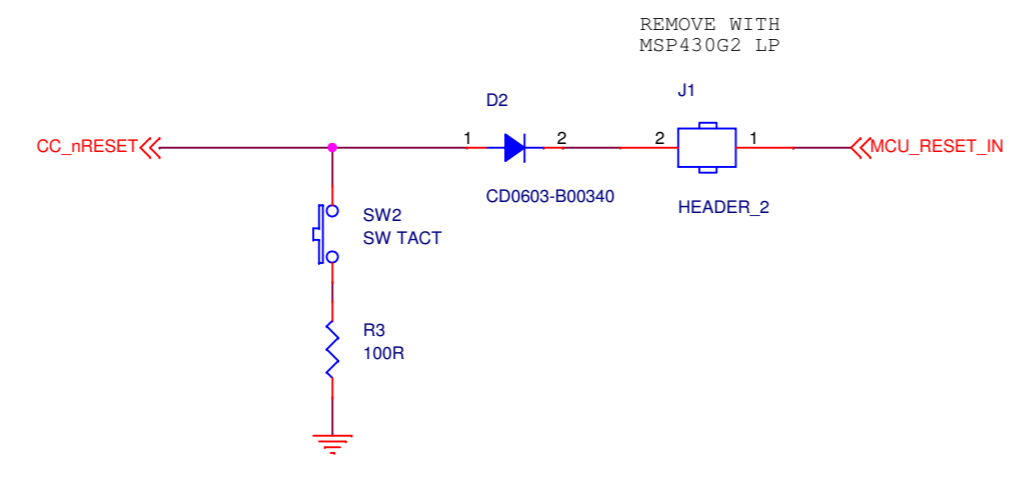
MCU Interface



POWER MANAGEMENT



OOB DEMO



		Texas Instruments 66/3 Bagmane Tech Park CV Raman Nagar Bangalore +91-80-2509-9599			
		Approval Prajay M	Date Date	Title CC3100BOOSTREL1	
Designer	Prajay M	Date	Size A2	Project No <Project Number>	Rev 2.0C
Drawn By	Prajay M	Date	Scale	Date Thursday, January 23, 2014	Sheet 2 of 3
Layout	Tessolve	Date	Scale	Date Thursday, January 23, 2014	Sheet 2 of 3