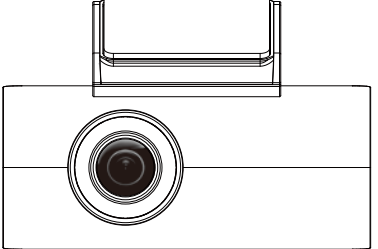


CamCaste



CamCaste

R30

For more information, please visit our official website www.camcaste.com

Your valuable comments and suggestions on improving CamCaste products are welcomed!

support@camcaste.com sales@camcaste.com www.camcaste.com

User Manual

Thank you for purchasing CamCaste R30.

Introduction

Thank you for purchasing CamCaste products. Please read this instruction manual carefully before use and keep it for your convenience.

If you have any questions or comments, please contact us via our official email address: support@camcaste.com.

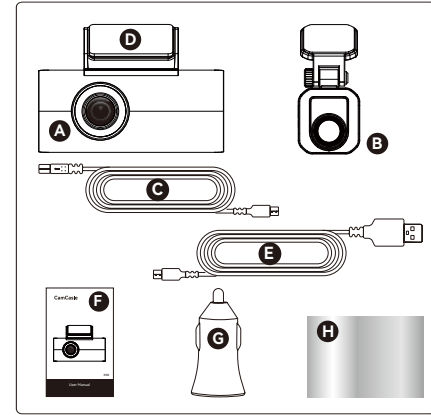
The followings are the precautions for using the dash cam:

- This product only supports charger with 5V voltage, otherwise the machine may be damaged.
- Insert or unplug the Micro SD card in the off state. Otherwise it will cause abnormal or damage to the device.
- Please use the high-speed Micro SD card that meets SDHC specifications and with the brand logo.
- Please use the 16GB-256GB Micro SD card.
- Video files may be lost or damaged if the Micro SD card is removed during recording.
- Video files may be lost or damaged if the camera is dropped or crashed.
- Micro SD card must be installed correctly to ensure proper function and video recording.
- Please use the original accessories, and do not disassemble the product.
- Please abide by the relevant national laws and regulations, and do not use this product for any illegal purposes.
- If you have any questions or need more support with the product, please contact our after-sales staff.

EN-1

Package Contents

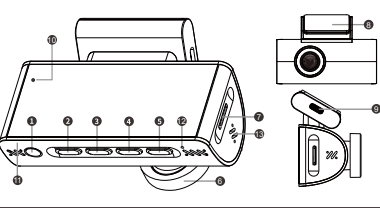
[A] R30 Front Camera*1
[B] R30 Rear Camera*1
[C] R30 Rear Camera Cable (6.6M)*1
[D] 3M Adhesive Base *1 (Mounted On The Dash Cam)
[E] R30 Front Camera USB Data Cable *1
[F] CamCaste R30 User Manual*1
[G] Car Charger *1
[H] Static Sticker *2



EN-2

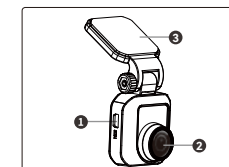
Operation Instruction

1. Camera Overview



1) Power Button; 2) Backward Emergency Recording; 3) Recording Start/Over; 4) Front Camera Lens; 5) System Setting/Delete; 6) Front Camera Lens; 7) Micro SD Card Slot; 8) Front Adhesive Base; 9) USB Charging Port; 10) LED Indicator; 11) Heat Dissiver Hole; 12) Microphone; 13) Speaker.

Rear Camera Part



1) Hot USB Charging Port; 2) Rear Camera Lens; 3) Adhesive Base

EN-3

Operation Instruction

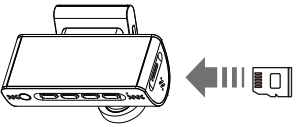
Button	Functions
Power	Recording Start, Stop and record video.
Emergency Recording	Emergency Stop, Record a video manually in emergency.
Emergency Stop (Unplug)	Emergency Stop, Switch back to the previous page.
Voice Pickup Playback (Overhead)	Emergency Stop, Switch back to the previous page.
Setting Delete	Emergency Stop, Switch back to the previous page.

Tips: Short Press Less than 1s; Long Press Longer than 3s

2. Product Installation

2.1 SD Card Installation

Insert the Micro SD Card
Insert the Micro SD card as shown in the picture until it clicks. (The Micro SD card maximum supports up to 256GB.)



EN-4

Remove the Micro SD card
Press the Micro SD card inward and remove it from the slot.

Use of the Micro SD Card
Please check the insertion direction of Micro SD card, incorrect insertion direction may damage the camera and Micro SD card.

Please use a high-speed Micro SD card that meets SDHC specifications; high-speed Micro SD card will have the Class 10 logo.

For your better experience, we recommend you to format the SD card before you start using it.

Steps to format:
Use the card reader and format the SD card on the computer. (You can repeat the format several times.)
Insert the SD card into the R30 dash cam and format it again in the APP page.

Please note that the SD card is a consumable product, and its service life decreases with the number of times that the data is read. It is recommended that you replace the SD card regularly.

In order to extend the service life of SD card, you can format the SD card once every two weeks. Do not plug and unplug the SD card frequently, which will cause damage to the SD card.

Please make sure to insert and remove the SD card when the power is off.

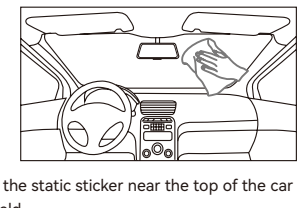
It is recommended to use a 16GB-256GB SD card.

2.2 Dash Cam Installation

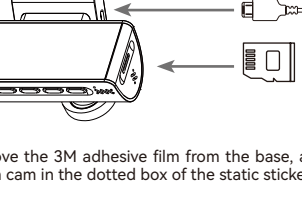
Wipe the place that need to be installed and ensure the window is clean.

EN-5

Stick the static sticker near the top of the car windshield.



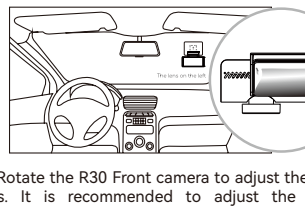
Insert the SD card and USB Cable C port in the R30 Front camera.



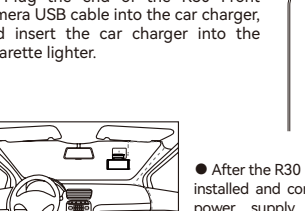
Remove the 3M adhesive film from the base, and stick the dash cam in the dotted box of the static sticker.

EN-6

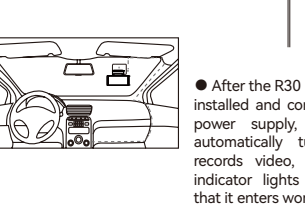
Rotate the R30 Front camera to adjust the angle of the lens. It is recommended to adjust the lens slightly downward to ensure that the camera's view is parallel to the horizontal ground. (Suggestion: the ground/ky ratio is approximately 6:4.)



Plug the end of the R30 Front camera USB cable into the car charger, and insert the car charger into the cigarette lighter.



After the R30 Front camera is installed and connected to the power supply, the recorder automatically turns on and records video, and the LED indicator lights on, indicating that it enters working condition.



EN-7

3. LED Indicator Description

LED Indicator Status	Status Description
Light out	OFF
Red Light Always On	Powered on (Not recording)
Red Light Flashing	Recording in Progress

4. APP Connection

EN-8

Scan the QR code to download the "CamCaste" APP.



Make sure the dash cam is powered on.

Open "CamCaste" APP click "connect DVR" on the page of APP.

Enter the WiFi setting page.

Select the WiFi name: "CamCaste-R30-XXXX" in the WiFi list to connect. (Default password: 12345678)

Change the password: Enter the new password and click OK. After password changed, reconnect the dash cam and manually with new password. (Please take a screenshot to save your updated password, changing password is not recommended.)

Attention

The dash cam WiFi is an APP hotspot that provides a wireless connection to the device for access only. The camera does not have networking capabilities. The smartphone will not actively select the dash cam's WiFi for connection. If the WiFi is disconnected, please re-connect it again.

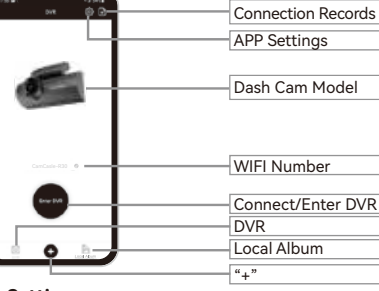
Special Note

The "CamCaste" App is produced by CamCaste and is part of CamCaste products. If you have any questions or comments about the use of the app, please feel free to contact us via our official email address: support@camcaste.com. Thank you for your support to CamCaste.

EN-9

APP Introduction

1. APP Main Interface Introduction



Connection Records
APP Settings
Dash Cam Model
WiFi Number
Connect/Enter DVR
DVR
Local Album

1.1 Settings

- Map: The driving tracks can be viewed on the map.
- Auto Connected Recorder ON/OFF (Default: ON): With WiFi connection, the APP can connect to the device.
- APP Language: 简体中文/English/日本語/Deutsch/Français/Italiano/Español etc. APP includes more than 20 languages. (Default: Mobile System Language) The operation pages of the APP displays the language you have selected.
- High: The Common Q&A for Dash Camera. If you have any questions, please send them to our official email address: support@camcaste.com. We have professional technical support and customer service team at your service.
- Clear Cache

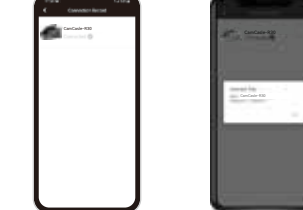
EN-10

Displays the current carded data capacity of the APP and can be cleared. (Attention: the cache refers to the data such as video thumbnails, not including the videos in the SD card)

About CamCaste APP Version Information. If you want to upgrade your app, you can go to the app store or contact us to download it.

1.2 View & Delete the Connection Records

Long press to view the WiFi information of the dash cam connected by CamCaste APP. Swipe to the left to delete the connection records.



EN-11

1.3 DVR

Click "Enter DVR" to connect to the R30 dash cam.

1.4 "+"

- Photo Share: Share the photos to social media platform.
- Video Share: Capture 10-second video to share. (Only support 10-second video)
- Attention: If you need to share the full video, download the video file to your own mobile album, and then share it through your mobile album.
- Track List: Show the driving tracks and map information to social media platform.
- Attention: You can refer to User Manual 3.5 for the specific sharing process.

EN-12


1.5 Local Album

- Loop: In the APP file, the dash cam records regular video.
- Event: In the APP file, the dash cam records emergency video. (locked video)
- Photo: In the APP file, the dash cam shows the taken photos.

Note: Need to download the files from SD card to APP, please refer to User Manual 3.2

2. APP Function Introduction (After Connecting)

2.1 Icon Function Introduction



EN-13

NO.	Name	Description
01	Settings	Dash cam settings
02	Disconnection	Disconnect from dash cam
03	10-Second Video	Record a 10-second video
04	Photo Shoot	Take a picture
05	Album	View files stored on SD card
06	Real Condition Monitoring	Monitor the real-time road condition
07	Adverse Track	Record location change tracks
08	Help Full Screen	Display full screen map
09	Location	Keep the current location centered on the map

2.2 Disconnect

Click to disconnect the CamCaste APP from the dash cam.

2.3 Dash Cam Settings

Settings (Click the settings icon to enter this page)

- Resolution: Selectable recording resolution: 1080P/30FPS / 720P/30FPS (Default: 1080P/30FPS)
- Looping Video: This function determines the recording length of each video. (Default: 3 minutes)
- Record Audio: Select this function, start recording. When turned off, stop recording. (Default: ON)
- Volume: This function determines the volume level of voice prompts. Select from four settings: OFF / Low / Medium / High. (Default: Medium)

EN-14

WOR

This function reduces the brightness difference of the recorded screen and adjusts the over-bright and over-dark areas, so the video effect will be clearer. (Default: ON)

Light Frequency 50 Hz

Time Setting

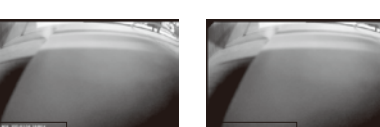
This function displays the current recording time.

EV Setting

This function can change the EV value of the dash cam. The adjustment range is from 0 to 12. If the brightness is too high, it is recommended to lower the EV value. (Default: 0)

Stamp Setup

Turn on this function, the recorded video shows watermark. (Default: ON)



J. Format TF Card

Click to delete all the files in the SD card. Note: Files cannot be recovered after formatting. Please download and save important files in advance.

Related Information:

- TF Card Available Space: Check the remaining capacity of the SD card.
- Version: Check the version information of the dash cam.

Camera Settings Reset

EN-15

Click to restore the dash cam system settings to the factory date. All settings will be restored to their default values.

Main Function Description

1. Collision Detection

- Turn on collision sensitivity (off, low, medium, high switchable), and the default is Medium.
- When vibration or collision detection is triggered during driving, dash cam will lock the current video into the emergency folder, the locked file will not be overwritten, so important events will be saved and can be used as evidence.
- The locked files will be saved in the emergency folder, which will automatically overwrite the earliest locked files when that folder is full. When the Emergency Folder accumulates to 40% of the card capacity, the camera will overwrite the earliest video.

Attention:

- Please transfer important videos to your PC or other storage location (e.g. external hard drive) regularly.
- To maintain good road performance, the Micro SD card should be formatted every 1-2 weeks.

2. Seamless Recording


There will be no time interval between each two consecutive recorded videos. If the loop recording length is selected as 1 minute, then the recorded video periods, for example, will be 06:00:00-06:01:00, 06:01:00-06:02:00, and 06:02:00-06:03:00.

EN-16

3. Download and Share Photos & Videos


3.1 View Files on the Micro SD Card

Click "Enter DVR" to enter this page. Continue to click the icon of the picture below to view photos and videos.



3.2 Save Files from the Micro SD Card to APP's Local Album


Select from Loop/Event/Photo files that you want to share in the SD card file, click download, and the file can be saved to APP's local album.



EN-17

3.3 Share APP Files


Click the icon in the picture to share photos or 10-second video clips.



EN-18

3.4 Save App Files to Your Phone Album

Directly save the photos or videos to your phone album.

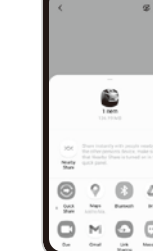


EN-19

3.5 Share Videos from Your Phone Album

Share the photos and videos in your phone album.

Attention: The Wi-Fi of the car recorder has no networking function, if you need to access the internet, please switch the network.



Warranty

The R30 is covered by a 1-year manufacturer warranty. For more information, please visit www.camcaste.com.

EN-20

Specifications

Device model	R30
Video Resolution	1080P
Sensor (Front Camera)	Sony IMX415
Sensor (Rear Camera)	GC2083
Resolution (Front Camera)	1920P
Aperture (Rear Camera)	F2.2
Viewing Angle (Front Camera)	140 Degree
Viewing Angle (Rear Camera)	140 Degree
Video Resolution (Rear Camera)	1080P
Display (Front Camera)	1.85" WQVGA (1280x 800)
Photo Format	JPG
Video Format	H.264
Video Codec	H.264
Micro SD Maximum Support	256GB
GPS	Built-in Microphone
Speaker	Built-in Speaker
Light Source Frequency	Default 50Hz
CSensor	Built-in CSensor
GPS Module	✓
Automatic Recording	✓
Collision Detection	✓
Date and Time Stamp	✓
Emergency File Protection	✓
Seamless Loop Recording	✓
APP Control	✓
Power Supply	5V/2.4A
Operating Temperature	-10°C ~ 60°C / 14°F ~ 142°F
Storage Temperature	-20°C ~ 70°C / -4°F ~ 158°F

FAQ

Failure	Cause	Solution
Unable to Loop Video	Check if the Micro SD card is full	Connect the APP and format the Micro SD card. Check if the Micro SD card is a high-speed card with Class 10 and the capacity is not less than 16GB.
Screen Flickering	Micro SD card does not match	Check if the Micro SD card is a high-speed card with Class 10 and the capacity is not less than 16GB.
Unable to Share Photos or Videos	Connect to WiFi and format the Micro SD card. Check if the Micro SD card is full	Connect to WiFi and format the Micro SD card. Check if the Micro SD card is full.
Stop Automatically When Recording	High video data is high	Use SDHC-compatible high-speed Micro SD card, high-speed Micro SD card will meet Class 10 logo.
Phantom File Error	Error occurred when connecting to the network	Connect the APP and format the Micro SD card.
Foggy Image	The lens is soiled	Wipe the lens clean.
Down time	Other reasons	Please contact after-sales service.
		Please refer the next button to insert

EN-21

WARRANTY CARD

ATTENTIONS:

- Please read the return procedure and warranty policy carefully on www.camcaste.com before sending items back to port or purchase.
- Please fill the card and send it to your reseller together with the product if your product's warranty is valid.

S.N:

Date of Purchase:

Product Model:

IMEI Number:

Return Reason:

Customer Name:

TEL:

E-mail:

Address:

EN-22

FC

NOTE: This equipment has been tested and found to comply with the limits for a Class B digital device, pursuant to part 15 of the FCC Rules. These limits are designed to provide reasonable protection against harmful interference in a residential installation. This equipment generates uses and can radiate radio frequency energy and, if not installed and used in accordance with the instructions, may cause harmful interference to radio communications. However, there is no guarantee that interference will not occur in a particular installation. If this equipment does cause harmful interference to radio or television reception, which can be determined by turning the equipment off and on, the user is encouraged to try to correct the interference by one or more of the following measures:

- Reorient or relocate the receiving antenna.
- Increase the separation between the equipment and receiver.
- Connect the equipment into an outlet on a circuit different from that to which the receiver is connected.
- Consult the dealer or an experienced radio/TV technician for help.

Changes or modifications not expressly approved by the party responsible for compliance could void the user's authority to operate the equipment. This device complies with Part 15 of the FCC Rules. Operation is subject to the following two conditions:

(1) This device may not cause harmful interference, and (2) This device must accept any interference received, including interference that may cause undesired operation.

EN-23

RF Exposure Warning Statements:

This equipment complies with FCC radiation exposure limits set forth for an uncontrolled environment. This equipment shall be installed and operated with minimum distance 20cm between the radiator & body.

EN-24