

**User Manual**  
**Model No: B219**



FCC ID:Z63-U0B219L

FCC ID:Z63-U0B219R

**Bluetooth V5.0**  
**True Wireless Stereo Earbuds User Manual**

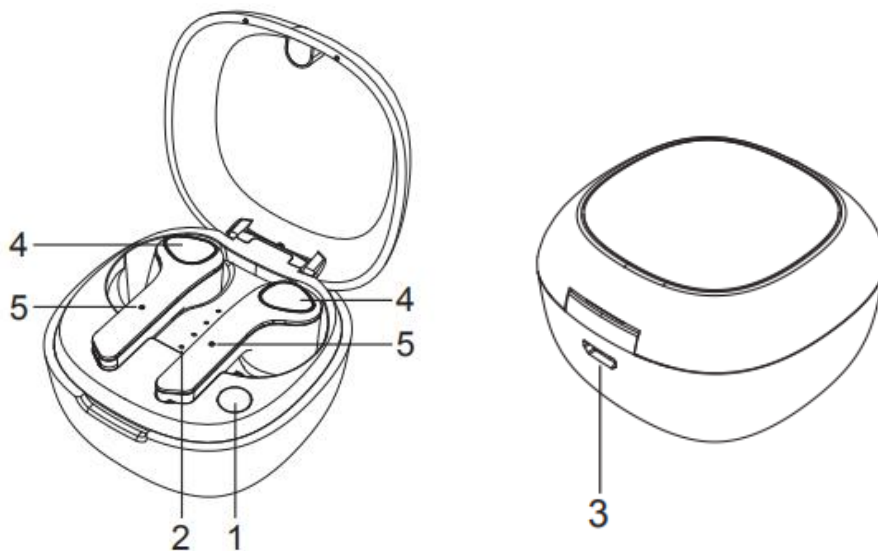
## Welcome to use

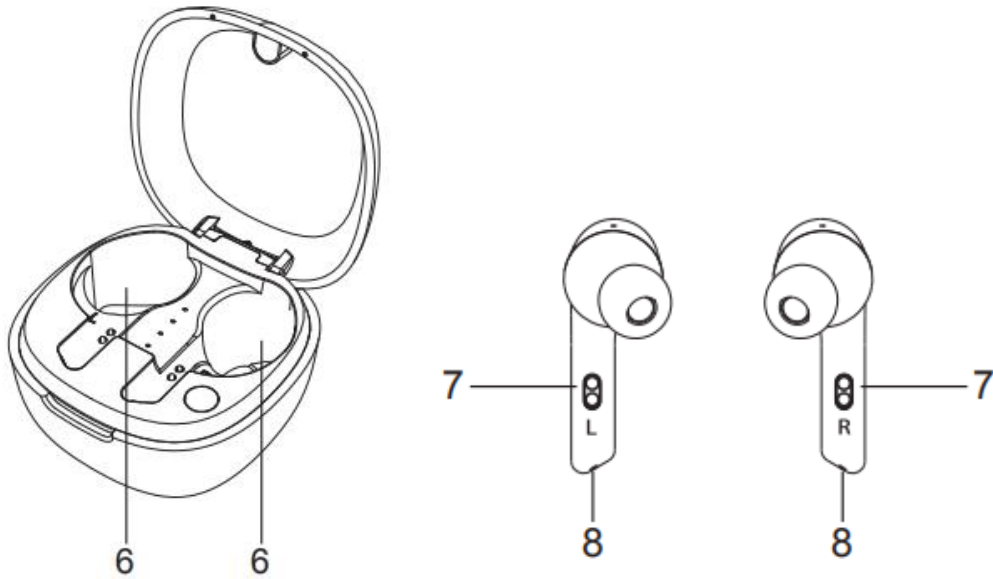
Thank you for purchasing the True Wireless Stereo Earbuds B219, Please read the user manual carefully before use .

## Safety Warning

1. Please read the user manual carefully before using and follow the instructions.
2. Please do not modify, assemble, disassemble this earphone. Otherwise, it may cause this Bluetooth earphone with noise, fire, leakage of electricity, crash and other issues. Such problems caused by human error are not covered by the warranty range.
3. Please do not use any diluent or volatile liquid to clean the TWS earbud.
4. Please do not listen to high-volume earphones for a long time, to avoid adverse effects on hearing.
5. Please do not use this TWS earbud in any dangerous area.

## Button Function:





1. Charging case button, after press this button, the LED indicator will show the battery's capacity.
2. LED light indicator of charging case
3. Micro USB jack for charging
4. Touch button of Earbuds
5. LED indicator of Earbuds
6. Earbuds' storage location
7. Charging Pin of Earbuds
8. Microphone of Earbuds

#### **Packaging list**

1. TWS Earbud\*2
2. Charging Case\*1
3. Micro USB Cable\*1
4. Small, Middle and Large Ear Tip\*1
5. User manual \*1

#### **Bluetooth Pairing**

##### **Pairing with mobile phone .**

1. Take the earbuds out of the charging case, there is a "Power On.....Paring" prompt voice, the earbuds will connect each other firstly and you will see a blue and red light flashing alternately on a earbud, the other's LED indicator is off at the same time. (The other situation: Long press touch buttons of earbuds for about 2 seconds when power off, the earbuds will connect each other firstly and will be going to pairing mode.

**NOTE:** The earbud blue and red LED indicator will light on (like a light purple indicator) at the same time for about 3 minutes if fail to pair with phone, in this case, please put the earbuds back to the charging case, click the touch buttons once and long press the buttons for about 5s, then you will see a light purple indicator flashing 1s. Finally, the earbud can connect each other successfully when you take them out.

2. Turn on Bluetooth function of mobile phone , search for available Bluetooth devices.
3. Please select "B219" to pair with your device .
4. Enter " 0000 " for pairing connection if PIN code requested
5. There is a "Connected" prompt voice after pairing successfully. The Earbuds will be automatically power off in 3 minutes if no device paired.

#### **Pairing with computer or other devices**

1. You should use Bluetooth adapter if your computer does not support Bluetooth.
2. Plug the Bluetooth adapter into the computer's USB port and make sure the Bluetooth function of the adapter is activated.
3. Long press the touch button of earbuds for about 2 seconds when power off, the earbuds will be going to pairing mode.
4. Open the Bluetooth software which installed in your PC and select "Search for Bluetooth Devices." Please refer to the details of the Bluetooth software manual.
5. After few seconds, the Bluetooth name will appear in the list, select "B219" and click the mouse button to select the pairing.
6. Turn on your media player to play music, watch TV / movies, play games, you can hear a variety of sounds or music from your Earbuds.

#### **NOTE:**

1. In the event of TWS Earbuds are not used for a long time, please also charge the case in a regular time (suggest to charge the headphone once in each 30 days).
2. Low Battery Alarm: When the battery power is less than 10% and the voltage is lower than 3.3V, the Earbuds will have "beep, beep, beep" prompt tone in each 3 minutes, the red light flashed 2 times in each 3 minutes. When the battery voltage is lower than 3.1V, "beep, beep, beep" prompt tone again and earbuds power off automatically.

## Switch Control

Function	Operation	prompt
Power On	Press and hold the touch buttons of earbuds for about 2 seconds when power off	Comes with voice prompt “Power on” , blue LED light flashes 1s
Power Off	Press and hold the touch buttons of earbuds about 5 seconds when power on	Comes with voice prompt “Power off” , red LED light flashes 1s
Power on Automatically	The earbuds power on automatically when took out from charging case	Comes with voice prompt “Power on” , blue light flashes 1s
Power off Automatically	1) The earbuds power off automatically when put them back to the charging case; 2) The Earbuds will automatically power off in 3 minutes if no device paired	Comes with voice prompt “Power off” , red LED light flashes 1s
Pairing with Cell Phone	Press and hold the touch buttons for about 2 seconds when power off, the earbuds will enter pairing mode, and will be power off automatically if not paired in 3 minutes	Comes with voice prompt " pairing ", red and blue light will flash alternately
R & L Earbuds Connection	Press andn hold the touch buttons for about 2 seconds when power off, then R & L earbud will connect to each other	Blue and red light flashing alternately on a earbud, the other’s LED indicator is off at the same time
Reconnection with Cell Phone	When power on or take out the earbuds from charging case, the earbuds will reconnect to the last cell phone automatically in 10 seconds	Comes with voice prompt “Connected”, the light will be off

Reconnection of TWS	Press and hold Left earbud(Slave) for 2s or take it out from charging case, it will connect with Right earbud(Master) automatically, then enter Paring Mode in about 10s	Blue and red light flashing alternately on Right earbud, the other's LED indicator is off at the same time
Reconnection in Effective Distance	If the distance between mobile phone and earbuds is more than the BT effective range(about 10m) during the Paired Mode, they will disconnect. They will reconnect again automatically under the effective range when earbuds power on	/
Reset	please put the earbuds back to the charging case, click the touch buttons once,then press and hold the buttons for about 5s, you will see a light purple indicator flashing for 1s. Finally, the earbud can connect to each other successfully when you take them out.	A light purple indicator(red and blue light flashing at the same time) flashing 1s
Earbuds Charging	Put them back to the charging case, earbuds will power off and would be charged automatically, it usually takes about 1.5-2.0 hours to a full charge.	Red LED light is always on during charging, The red light will be off when fully charged
Charging Case Charging	1. Use micro USB charging cable plugs into the USB interface connector. 2. Then the other port of the USB	Charging LED indicators will flash when charging and always on after fully charged

	charging cable plug into the interface connector on other device or computer.	
--	---	--

### Phone Call Control

Status	Operating	Prompt
Answer an incoming phone call	Click the either side touch button once to answer an incoming call	Comes with voice prompt "beep" ; Blue lights flash 3times/s when there is an incoming phone call
Reject a phone call	Long press either side touch button for about 1.5s to reject an incoming call	Comes with voice prompt "beep"
End a phone call	Click either side touch button once to end a phone call	Comes with voice prompt "beep"

### Media Player Control

Status	Operating	Prompt
Play	Click either side touch button once when music in pause status	/
Pause	Click either side touch button once when music in playback status	/
Next Track	Click Right Earbud (Master) touch button 2 times quickly for Next Track	/
Previous Track	Click Left Earbud(Slave) touch button 2 times twice quickly for Previous Track	/

Turn on Voice Assistant	Press and hold either side touch button for about 1.5s to turn on voice assistant/Siri when the device paired with your cell phone	Comes with voice prompt "beep" , when turn on voice assistant
-------------------------	--	---

**FCC Statement**

This device complies with part 15 of the FCC rules. Operation is subject to the following two conditions: (1) this device may not cause harmful interference, and (2) this device must accept any interference received, including interference that may cause undesired operation.

Changes or modifications not expressly approved by the party responsible for compliance could void the user's authority to operate the equipment.

NOTE: This equipment has been tested and found to comply with the limits for a Class B digital device, pursuant to part 15 of the FCC Rules. These limits are designed to provide reasonable protection against harmful interference in a residential installation. This equipment generates uses and can radiate radio frequency energy and, if not installed and used in accordance with the instructions, may cause harmful interference to radio communications. However, there is no guarantee that interference will not occur in a particular installation. If this equipment does cause harmful interference to radio or television reception, which can be determined by turning the equipment off and on, the user is encouraged to try to correct the interference by one or more of the following measures:

- 1) Reorient or relocate the receiving antenna.
- 2) Reorient or relocate the receiving antenna.
- 3) Reorient or relocate the receiving antenna.
- 4) Consult the dealer or an experienced radio/TV technician for help important announcement

The device has been evaluated to meet general RF exposure requirement. The device can be used in portable exposure condition without restriction.