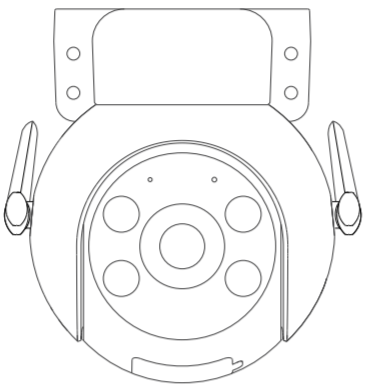


折后封面→

Quick Start Guide


Smart Bullet Camera



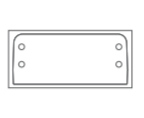
Welcome

Thank you for choosing our smart camera. Getting started is easy.

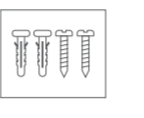
What's Included




Security Camera




Alignment Sticker



Wall Mount Screw Sets

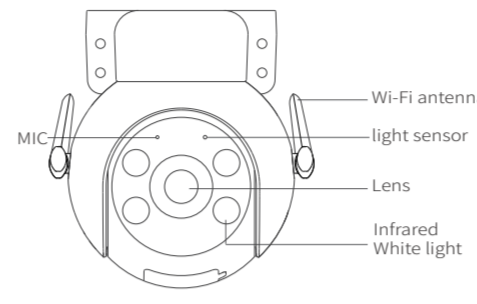
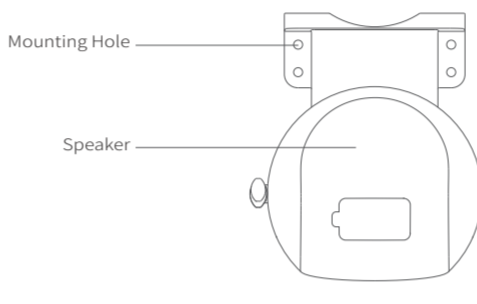


Power Adapter



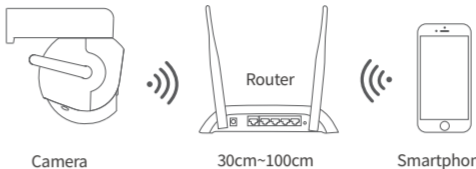
Quick Start Guide

Product Details

1. Connection Preparation

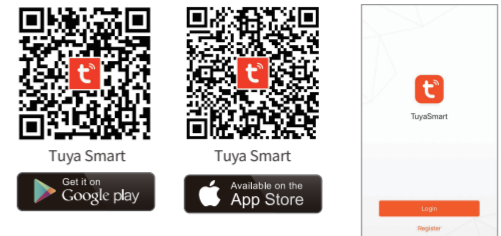
Bring the camera and phone within 1 to 3 feet (30 to 100 centimeters) of the router.



Note: Make sure smart phone is connected with your wireless router. Please note the camera is only working under 2.4G Wi-Fi, not support 5G Wi-Fi.

2. Get the APP and Account

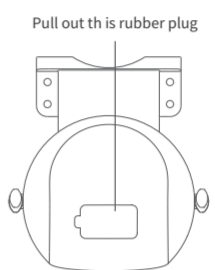
For the best experience, please download the "Tuya Smart" APP to your smartphone from App Store or Google Play store or you can also scan the QR code below, the APP icon will be displayed after installed successfully.



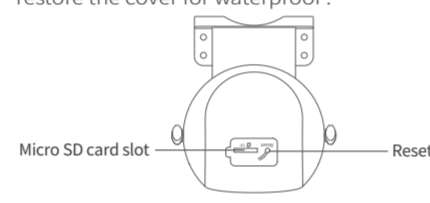
Launch the app from your smartphone and click the Sign Up button. Follow the on-screen instructions.

3. Insert the Micro SD card

● Pull out the rubber plug at the back of the camera.

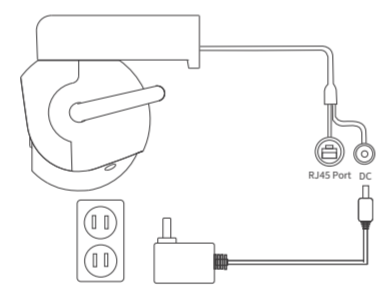


● Insert the right SD card to the slot gently and restore the cover for waterproof.



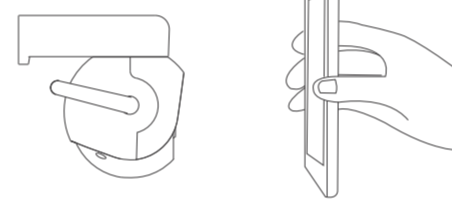
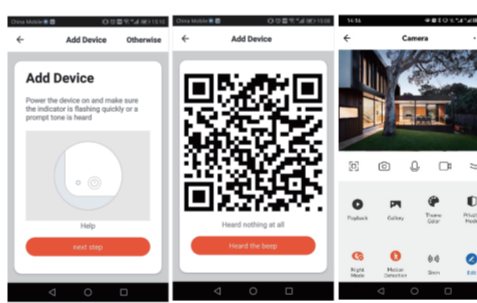
4. Connect the power to the camera

Connect the power to the camera by DC 12V/1A Power Adapter.



5. Set up your camera

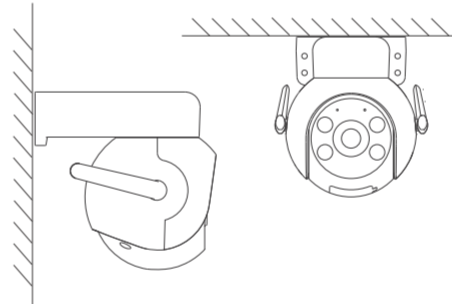
- Press the Reset button for above 5 seconds, then release the button to reset the camera.
- Launch the app from your smartphone and click the Sign Up button. Follow the on-screen instructions.
- Click "Add Device" or "+" on the right corner to add device; Then click "Camera & Lock" to select "Smart Camera(Wi-Fi)".
- Follow the App's instructions and input the right Wi-Fi password; Point the QR code to the camera lens for 15-20cm; Click "HEARD THE BEEP" when you heard "dingding". After processing, it will pair successfully.

6. Place or Mount Your Camera

To mount your camera to the wall:

- Fasten the mounting screw into the wall, and then mount the camera from the screw.
- If you're mounting the camera to drywall, be sure the plastic drywall anchors that are provided.



CE FC RoHS

FCC
This equipment has been tested and found to comply with the limits for a Class B digital device, pursuant to Part 15 of the FCC Rules. These limits are designed to provide reasonable protection against harmful interference in a residential installation. This equipment generates uses and can radiate radio frequency energy and, if not installed and used in accordance with the instructions, may cause harmful interference to radio communications. However, there is no guarantee that interference will not occur in a particular installation. If this equipment does cause harmful interference to radio or television reception, which can be determined by turning the equipment off and on, the user is encouraged to try to correct the interference by one or more of the following measures:
 -- Reorient or relocate the receiving antenna.
 -- Increase the separation between the equipment and receiver.
 -- Connect the equipment into an outlet on a circuit different from that to which the receiver is connected.
 -- Consult the dealer or an experienced radio/TV technician for help.

This device complies with part 15 of the FCC Rules. Operation is subject to the following two conditions:
 (1) This device may not cause harmful interference, and (2) this device must accept any interference received, including interference that may cause undesired operation.

Changes or modifications not expressly approved by the party responsible for compliance could void the user's authority to operate the equipment.

***RF warning for Mobile device:**
 This equipment complies with FCC radiation exposure limits set forth for an uncontrolled environment. This equipment should be installed and operated with minimum distance 20cm between the radiator & your body.

All trademarks are used for reference purposes only.
 Thanks again for choosing our smart camera! Make life safe in your hands!
 Boost security mobility in your smartphone!

成品尺寸：77*110mm 展开尺寸：385*110mm

尺寸公差			要求	品名	IPC ED03801 中性 风琴折说明书 20240520	比例	1:1	日期	2024.05.20
位数	尺寸	角度							
x/x.x	±1mm	±1°	100g书纸 单黑色印刷. 共10P 风琴折 ROHS.	料号		设计	叶先荣	审核	韦静
		±1°		版本	A	制图		批准	
记事	变更NO.	年/月/日		深圳奥尼电子股份有限公司 SHENZHEN AONI ELECTRONIC CO., LTD					