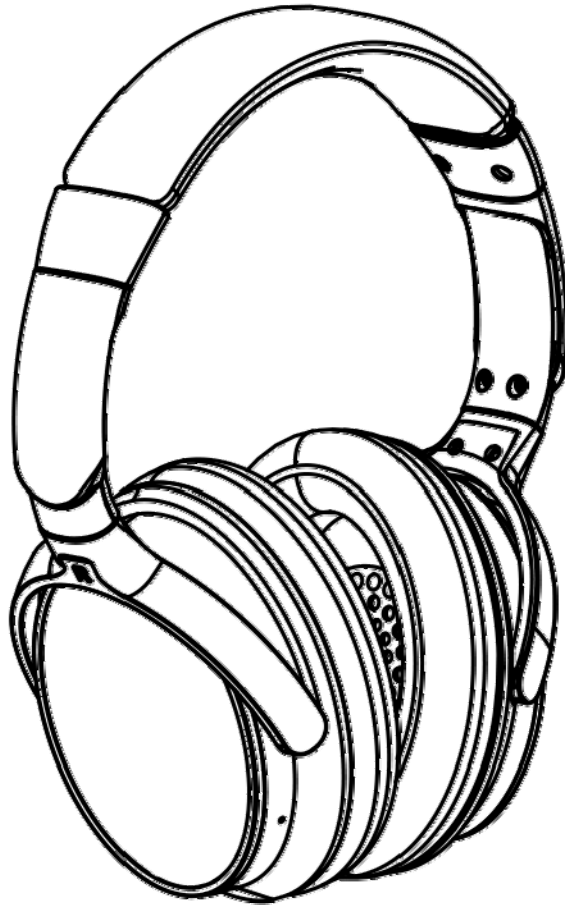


User Manual

B853



Bluetooth 4.0

Bluetooth Headphone User Manual

Index

Introduction.....	1
Accessories List.....	1
Technical Specification	2
Product schematic.....	2
Features.....	3
Pairing to Mobile Phone or other device	4
Pairing to a computer and Entertainment	4
Handing of the Waste Electrical	4
FAQ.....	5

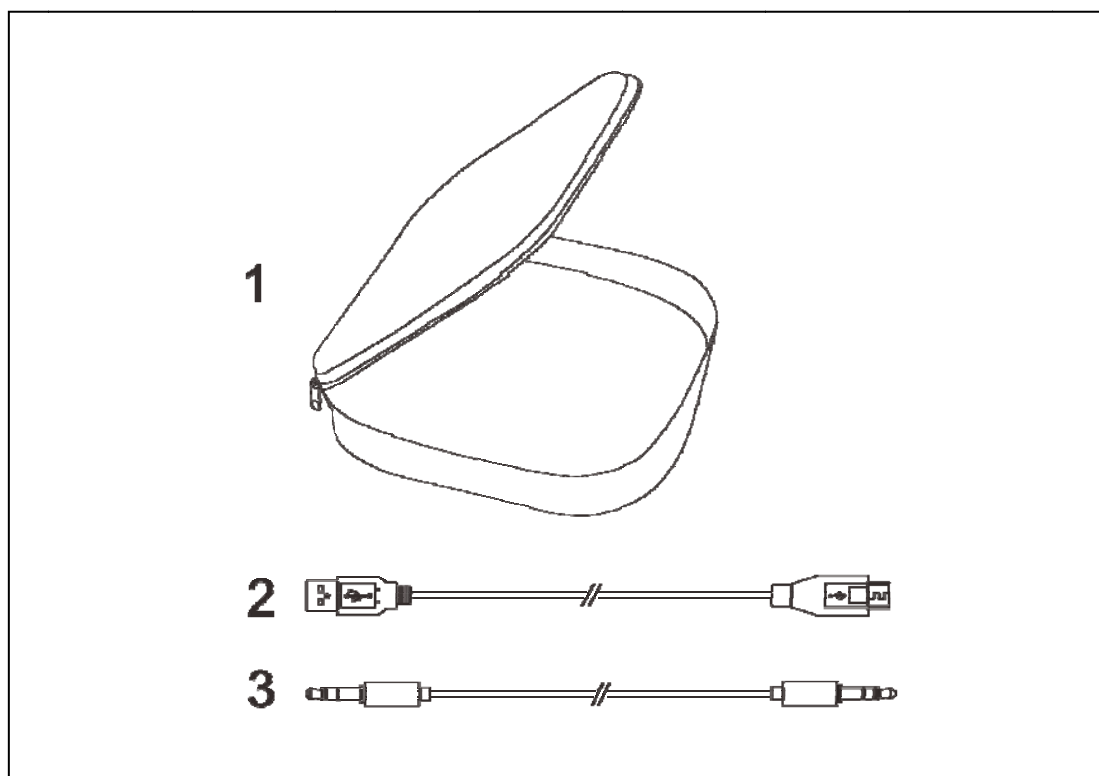
Introduction

Congratulations, and thank you for choosing the bluetooth noise cancelling headphones. This manual will help you operate the bluetooth noise cancelling headphones, but you should first familiarize yourself with the functionality of your other devices before using the bluetooth noise cancelling headphones.

1. Please follow the rules depicted in this manual closely to ensure your safety. Before using this bluetooth noise cancelling headphones, we would strongly encourage you to read through this user manual.
2. Be more aware of any edges, uneven surfaces, metal parts, accessories and its packaging so as to prevent any possible injury or damage.
3. Do not modify, repair or dismantle this bluetooth noise cancelling headphones. Doing so may result in fires, electric shocks, complete breakdown of this bluetooth noise cancelling headphones and etc. All of which, are not covered under warranty.
4. Do not use any diluents or volatile liquid to clean the bluetooth noise cancelling headphones.
5. DO not use the wired gaming headphones in a hazardous location.

Accessories List

1. EVA Protection Box*1
2. Micro USB charge cable*1
3. Audio cable*1
4. User Manual *1



Technical Specification

Bluetooth version:CSR8645 V4.0

Bluetooth introduction:HSP, HFP, A2DP, AVRCP, APTX

Noise reduction parameter: 14-23dB

noise reductionMicrophone Unit: cylinder6020 / -36.5±1db

Speaker diameter:Φ40mm、 Moving Coil

Impedance: 32Ω/typ

S.P.L:97db±3db (ANC ON)

Li-battery Capability : Rechargeable lithium polymer battery3.7V;500mAh

Radio-frequency region: 10m

Standby time: ≈2000hrs

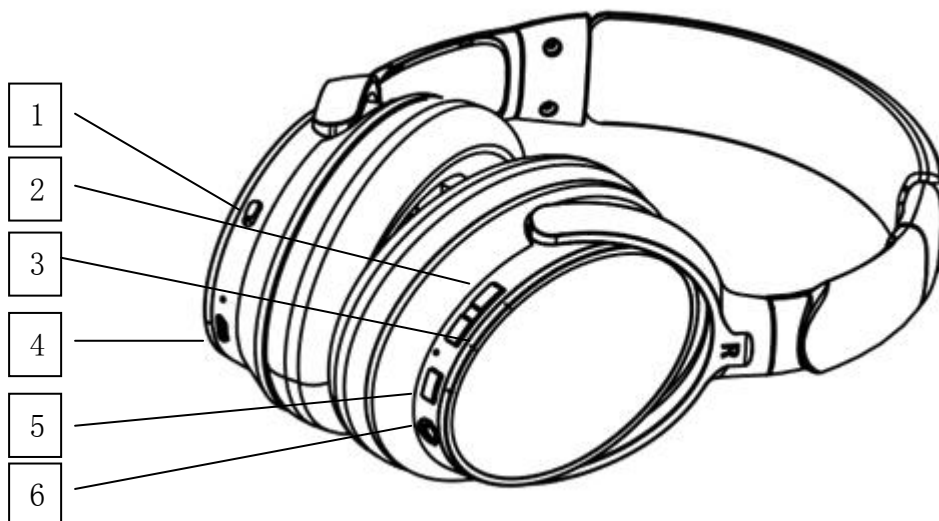
Talking time: BT,20hrs;ANC:50hours, ANC+BT:15hours

Charging time:2-2.5hrs

Weight: 173.8g

Dimensions (length x width x height): 196x162x81mm

Product schematic



- | | |
|---|------------------|
| 1 | ANCON/OFF |
| 2 | Volume + |
| 3 | Volume - |
| 4 | Micro USB |
| 5 | Play pause/Power |
| 6 | AUX-IN |

Features

1. Power on – make sure the headset is off; press and hold the “Power pause/Power” button for about 3 seconds and it will prompt a tone “Power on”; loosen the button, it will automatically get into pairing state if headset firstly boots; The Bluetooth will automatically into standby state for paired headset(headset will automatically reconnected cell phone, the reconnected time is 3 minutes). Under the pairing mode, the red and blue indicator lights blink alternately and 10 minutes later it turns off automatically. Blue LED blinks -- connection status; Blue and red blink alternately—pairing mode.
2. Power off – make sure the headset is on; press and hold the “Play pause/Power” button for about 4 seconds, and you will hear the voice prompt “Power Off”; the red LED will blink 3 times and go off.
3. Pairing – make sure the headset is off; press and hold the “Play pause/Power” button for about 5 seconds and enter pairing mode (the red and blue lights blink alternately); when the pairing is successful, you will hear the voice prompt “Pairing” and the indicator light is solid blue.
4. Pairing name – B853
5. Play the music – press the “Play pause/Power” button to play a song; the blue light flashes one time every 3 seconds
6. Pause the music -- press the “Play pause/Power” button to pause a song; the light is solid blue.
7. Volume up – press the “Volume +” (15 levels) button to raise the volume until you hear a beep; the blue light flashes one time every 3 seconds
8. Volume down – press the “Volume –”(15 levels) to decrease the volume; the blue light flashes one time every 3 seconds
9. Previous track -- press and hold the V- key to skip backward to the previous song.
10. Next track – press and hold the V+ key to skip forward to the next song; the blue light flashes one time every 3 seconds
11. To accept a call – press the “Play pause/Power” button to accept or end a call; the blue light flashes once every 0.5 second
12. To reject a call – press and hold the “Play pause/Power” button for about 2 seconds to reject a call; the blue light flashes once every 0.5 second
13. Dialing the latest number – double press and hold the “Play pause/Power” button and redial the latest numbers; the blue light flashes twice every 3 seconds
14. ANC on – switch the “ON” button, the pinhole on the margin will flash solid blue LED light.
15. ANC off – switch the “OFF” button, the blue LED light will go off.
16. LINE IN – plug the LINE cable to play the audio via the device, headset is used as wired headphone.
17. Charging -- the indicator light is solid red during charging and will go off when the battery is fully charged
18. Incoming calls during playing the music – the music will stop playing

automatically when there is an incoming call; it continues to play the track after ending the call

19. Electricity Quantity Alarm – when the battery level is lower than 10%, Li-battery cell voltage lower than 3.4v and you will hear the voice prompt “low power” about every 1 minute; battery voltage lower than 3.2v, the Bluetooth will automatically turn off

20. Pairing to Mobile Phone or other device

Pairing means unique and encrypted wireless connection between two Bluetooth devices when they agree to communicate with each other. In order to pair two Bluetooth devices, they should be placed close enough to each other.

1. Activate the Bluetooth feature on your phone and search for the Bluetooth headset (see your phone’s user manual).
2. Turn on the device and enter the pairing mode.
3. Search the headset from the list of devices found by your phone.
4. If requested, enter the Bluetooth PIN 0000 (4 zeros) to pair and connect the headset to your phone.
5. Your phone will confirm the pairing, and then press YES/OK.
6. Choose the connecting device on your cell phone. You can play the music, watch TV series/movies and play games; via the device you can hear any voice or music. You can also control the player like adjusting the volume or skip the track.

Pairing to a computer and Entertainment

1. If your computer doesn’t support the Bluetooth function, then a Bluetooth adapter is necessary. Install an adapter on your computer and make sure the Bluetooth function is already activated.
2. Turn on the device and enter pairing mode
3. Turn on the Bluetooth software installed on your computer and choose the function to search the Bluetooth device. Please read the details about the Bluetooth software on the user manual.
4. A few seconds later, the names of the Bluetooth devices will be listed. Choose the mark of the device and click the right-hand button of the mouse to pair and connect to the audio device.
5. Turn on your media player to play the tracks, watch TV series/movies and play games; you can hear all the sound and music from your device.

Handing of the Waste Electrical

1. This product or product attached with following marks cannot be handled with other domestic waste when the



use time finishes.

2. Please separate this product from other type of the waste in order to prevent damage to the environment or human health due to abuse or mishandling of the waste; recycle the product responsibly to promote the usage of the material resources sustainably.
3. Please contact with the retailer of the product or the local related organization to know about the regulation on the administration of the recovery and disposal of waste electrical and electronic products.
4. Enterprises should contact with the suppliers and check the terms and conditions of the purchase contract. This product should not be disposed with other commercial waste.

FAQ

1. Q: Why can't I turn on the headphones?
A: Make sure that the device is fully charged. This product cannot be turned on under the condition of low power.
2. Q: Why there is no sound when listening to the music?
A: Please check the connection between your mobile phone and computer with the device. If the connection is off, please reconnect it and adjust the volume.
3. Q: Why the cell phone or computer cannot find the device?
A: Please check your Bluetooth on your cell phone or computer is "available". If the connection is timed out, the pairing mode will log out, and then please reenter the pairing mode. If there are some problems in your apps, please restart your smart phone. If there is something wrong with your device, please reboot.

FCC NOTICE

changes or modifications not expressly approved by the party responsible for compliance could void the user's authority to operate the equipment.

Note: This equipment has been tested and found to comply with the limits for a Class B digital device, pursuant to Part 15 of the FCC Rules. These limits are designed to provide reasonable protection against harmful interference in a residential installation. This equipment generates, uses, and can radiate radio frequency energy, and if not installed and used in accordance with the instructions, may cause harmful interference to radio communications. However, there is no guarantee that interference will not occur in a particular installation. If this equipment does cause harmful interference to radio or television reception, which can be determined by turning the equipment off and on, the user is encouraged to try to correct the interference by one or more of the following measures:

- Reorient or relocate the receiving antenna.
- Increase the separation between the equipment and receiver.
- Connect the equipment into an outlet on a circuit different from that to which the receiver is connected.
- Consult the dealer or an experienced radio/TV technician for help.

This device complies with Part 15 of the FCC Rules. Operation is subject to the following two conditions:

1. This device may not cause harmful interference, and
2. This device must accept any interference received, including interference that may cause undesired operation.

FCC Radiation Exposure Statement:

This equipment complies with FCC radiation exposure limits set forth for an uncontrolled environment. This transmitter must not be co-located or operating in conjunction with any other antenna or transmitter.

Hearing protection

1. This phone respects the current regulations for limiting the maximum output volume. Prolonged headset listening at high volume could lead to hearing damage!
2. Stop using the product or lower the volume if you feel your ears ringing.
3. Do not turn up the volume too high, doctors warn against prolonged exposure to high volume.
4. Excessive sound pressure from headsets and headphones can cause hearing loss.
5. To prevent possible hearing damage, do not listen at high volume levels for long periods.
6. Please only use specified headphones .

