

REV	Change Content	DSND	CHKD



1:1



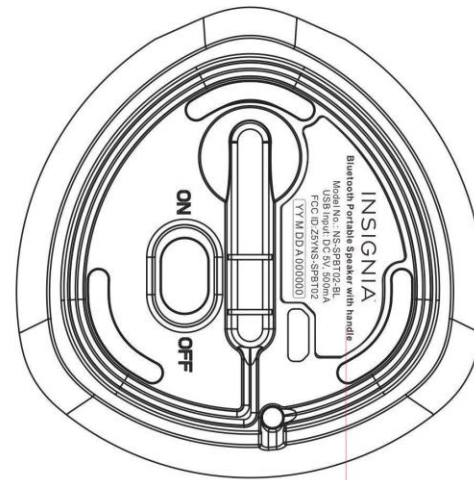
2:1

“Y” stands for year, 1 or 2 digital numerals for the last number of year.
For the year after 2009, the year code should be 2 digital numerals.
Eg. 2010's year code is 10.

“M” stands for month. English letter, from A to L, respectively
stands for 12 months, A for Jan, B for Feb ... and L for Dec

“DD” stands for date, there are 2 digital numerals for actual date.

“000000” stands products series number, need to add “1” for
the next product, range is “000001 to 599999”.



Label Position

Font		Dsnd	Jony	Date	140124	
Color		Sales Chkd		Date		
Rev.		Sales Appr		Date		Part Name.: label
Scale		RND Appr		Date		Part No.:
Unit	mm		Sheet	of		Model No.: NS-SPBT02-BL
Remark						Drawing No.:

REV	Change Content	DSND	CHKD



1:1



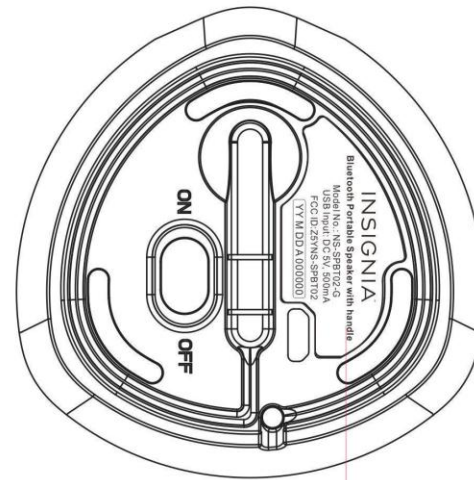
2:1

“Y” stands for year, 1 or 2 digital numerals for the last number of year.
For the year after 2009, the year code should be 2 digital numerals.
Eg. 2010's year code is 10.

“M” stands for month. English letter, from A to L, respectively
stands for 12 months, A for Jan, B for Feb ... and L for Dec

“DD” stands for date, there are 2 digital numerals for actual date.

“000000” stands products series number, need to add “1” for
the next product, range is “000001 to 599999”.



Label Position

Font		Dsnd	Jony	Date	140124	
Color		Sales Chkd		Date		
Rev.		Sales Appr		Date		Part Name.: label
Scale		RND Appr		Date		Part No.:
Unit	mm		Sheet	of		Model No.: NS-SPBT02-G
Remark						Drawing No.:

REV	Change Content	DSND	CHKD



1:1



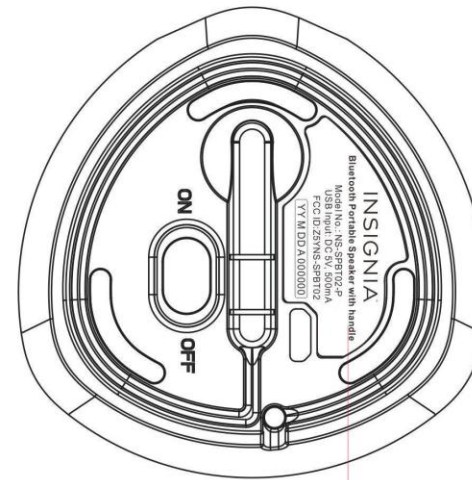
2:1

“Y” stands for year, 1 or 2 digital numerals for the last number of year.
For the year after 2009, the year code should be 2 digital numerals.
Eg. 2010's year code is 10.

“M” stands for month. English letter, from A to L, respectively
stands for 12 months, A for Jan, B for Feb ... and L for Dec

“DD” stands for date, there are 2 digital numerals for actual date.

“000000” stands products series number, need to add “1” for
the next product, range is “000001 to 599999”.



Label Position

Font		Dsnd	Jony	Date	140124	
Color		Sales Chkd		Date		
Rev.		Sales Appr		Date		Part Name.: label
Scale		RND Appr		Date		Part No.:
Unit	mm		Sheet	of		Model No.: NS-SPBT02-P
Remark						Drawing No.:

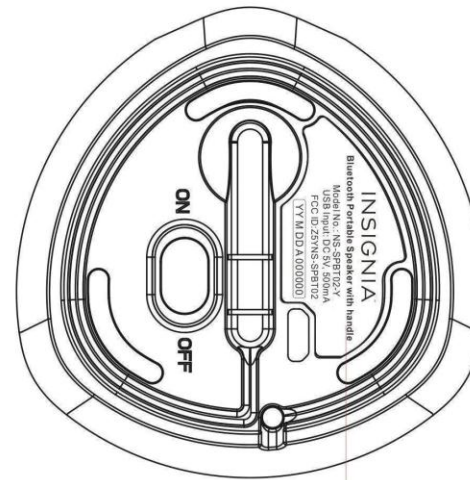
REV	Change Content	DSND	CHKD



1:1



2:1



Label Position

“Y” stands for year, 1 or 2 digital numerals for the last number of year.
For the year after 2009, the year code should be 2 digital numerals.
Eg. 2010's year code is 10.

“M” stands for month. English letter, from A to L, respectively
stands for 12 months, A for Jan, B for Feb ... and L for Dec

“DD” stands for date, there are 2 digital numerals for actual date.

“000000” stands products series number, need to add “1” for
the next product, range is “000001 to 599999”.

Font		Dsnd	Jony	Date	140124	
Color		Sales Chkd		Date		
Rev.		Sales Appr		Date		Part Name.: label
Scale		RND Appr		Date		Part No.:
Unit	mm		Sheet	of		Model No.: NS-SPBT02-Y
Remark						Drawing No.: