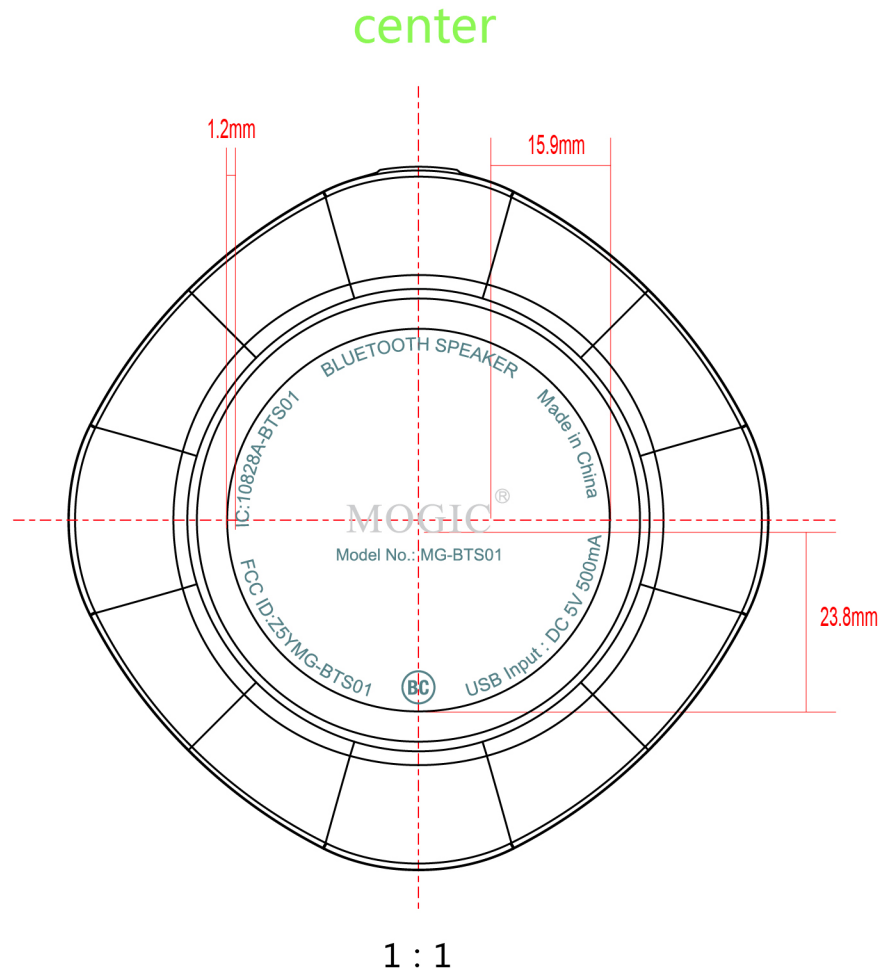
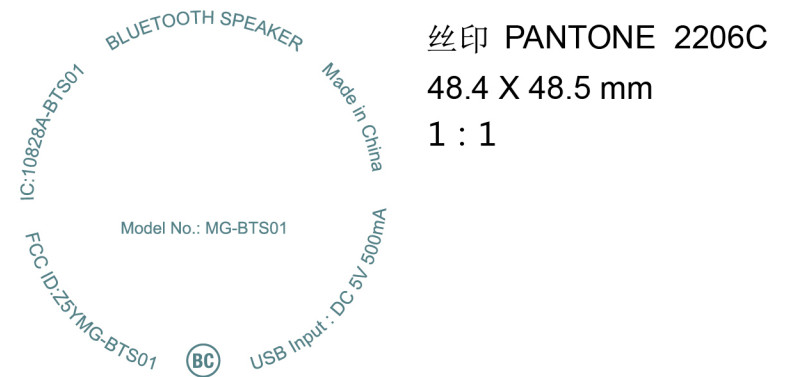



REV	Change Content	DSND	CHKD



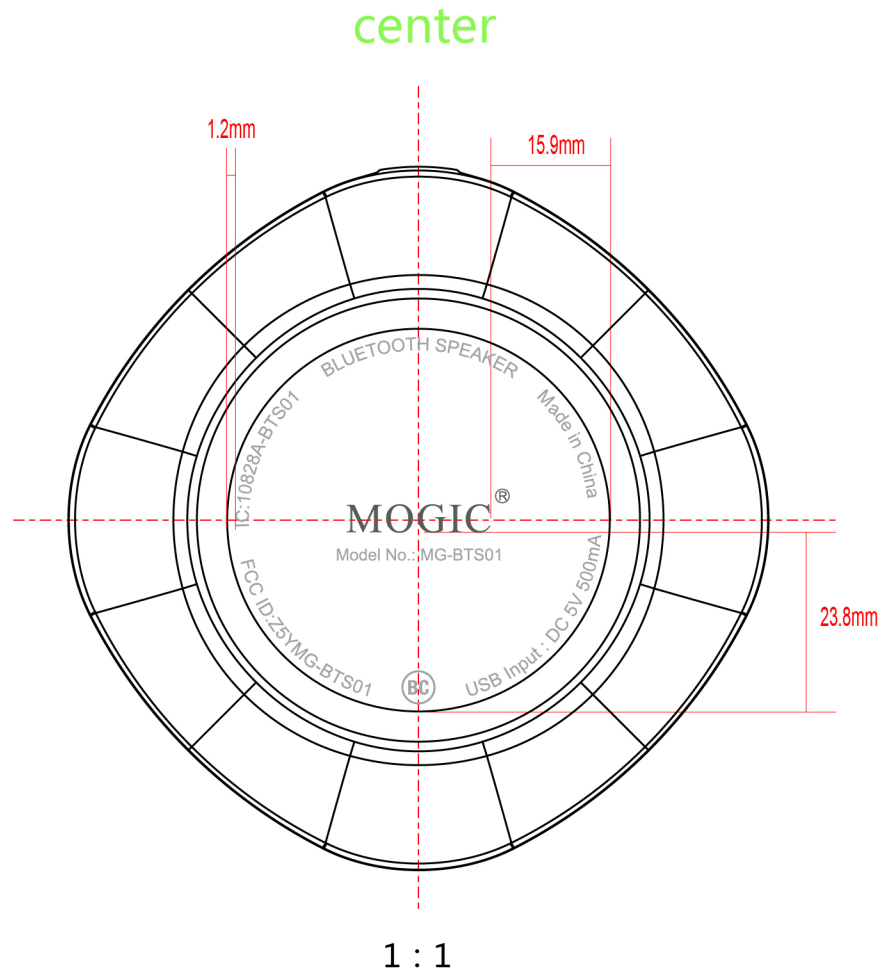
MOGIC® 丝印 PANTONE 428C
21.5 X 5.8 mm
1 : 1



丝印 PANTONE 2206C
48.4 X 48.5 mm
1 : 1

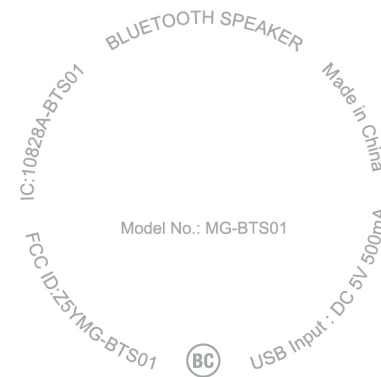
Font		Dsnd	Karen	Date	20141014	
Color		Sales Chkd		Date		
Rev.	A	Sales Appr		Date		Part Name. : Silkscreen
Scale	1:1	RND Appr		Date		Part No. : Blue
Unit	mm	Sheet of				Model No. : hipper-B bottom
Remark						Drawing No. :

REV	Change Content	DSND	CHKD



MOGIC®

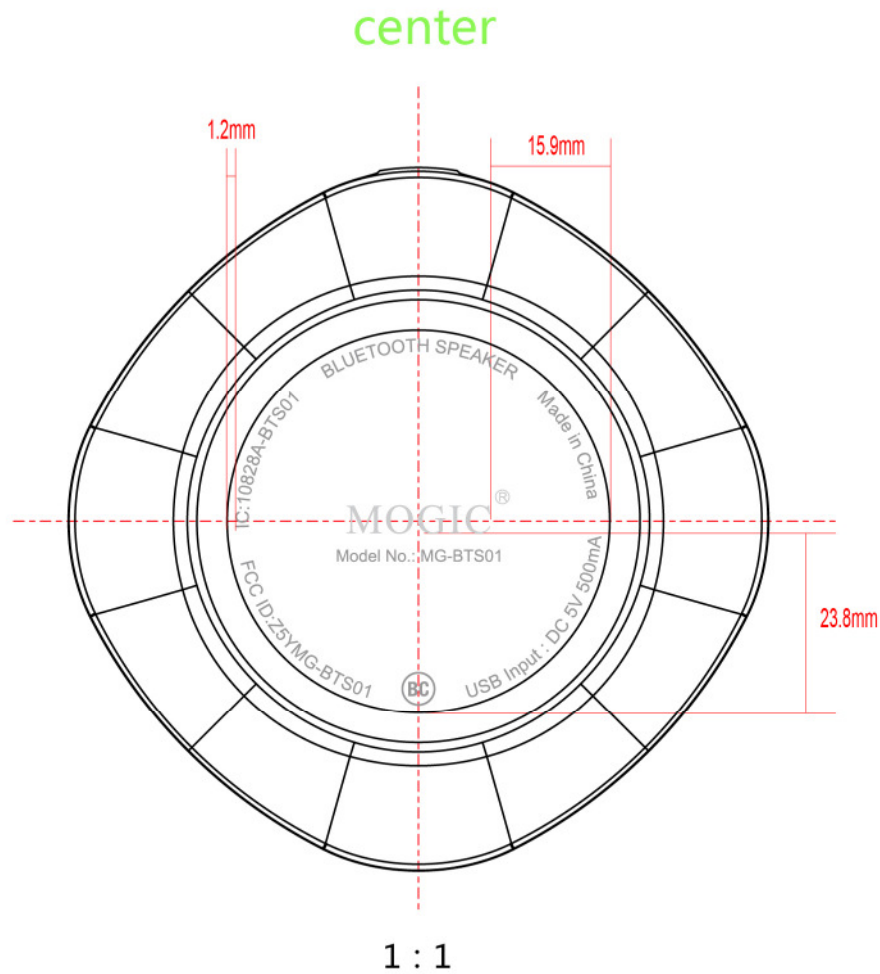
丝印 PANTONE Cool gray 8U
21.5 X 5.8 mm
1 : 1



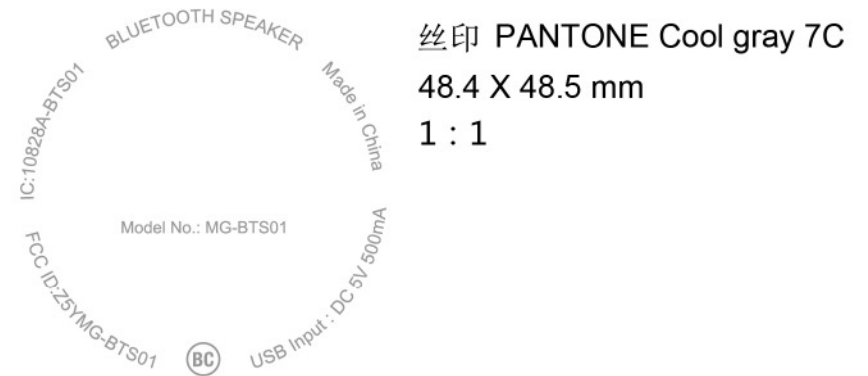
丝印 PANTONE Cool gray 5U
48.4 X 48.5 mm
1 : 1

Font		Dsnd	Karen	Date	20141014	
Color		Sales Chkd		Date		
Rev.	A	Sales Appr		Date		Part Name. : Silkscreen
Scale	1:1	RND Appr		Date		Part No. : White
Unit	mm	Sheet of				Model No. : hipper-B bottom
Remark						Drawing No. :

REV	Change Content	DSND	CHKD

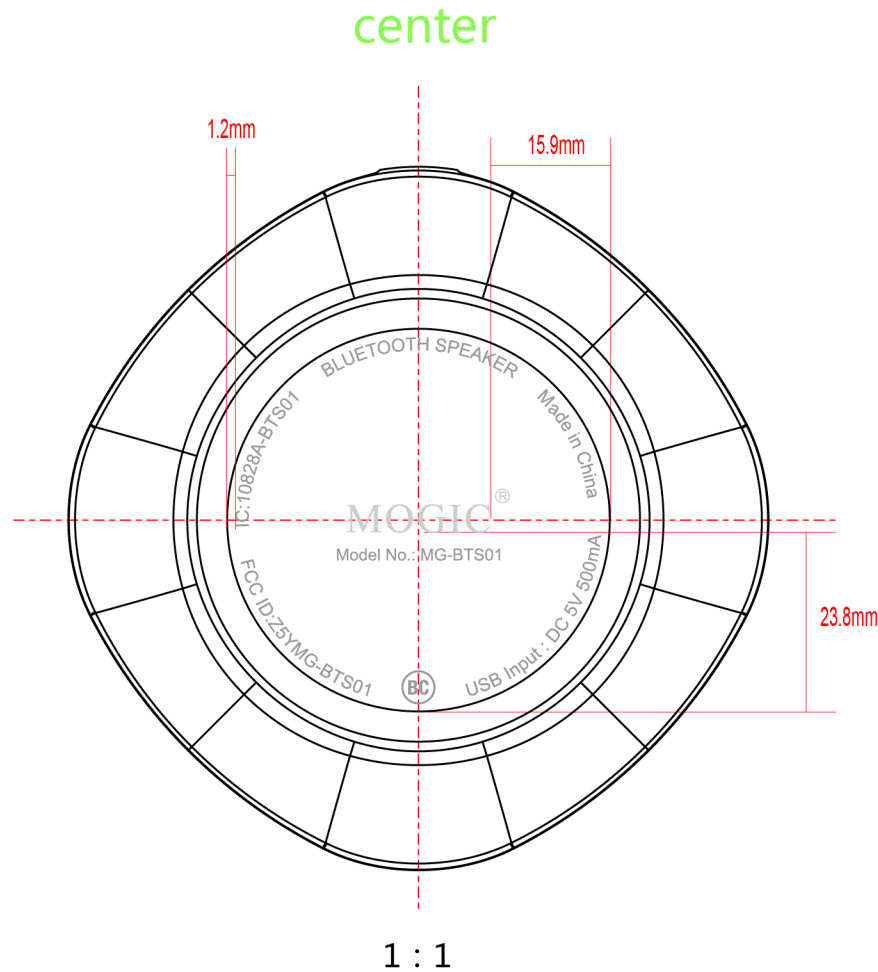


MOGIC® 丝印 PANTONE 428C
21.5 X 5.8 mm
1 : 1

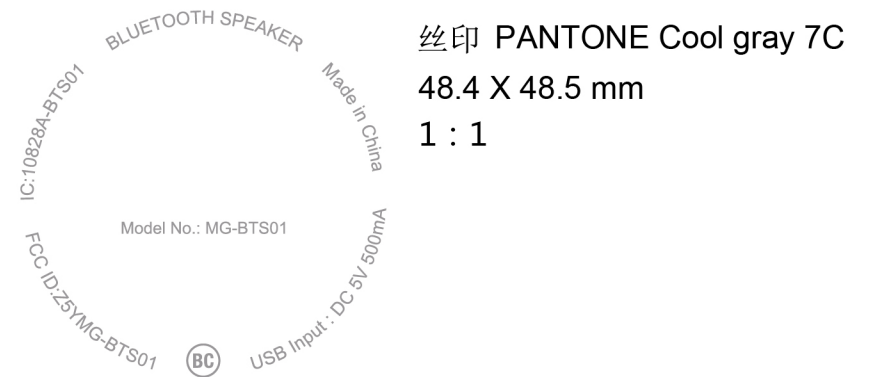


Font		Dsnd	Karen	Date	20141014	
Color		Sales Chkd		Date		
Rev.	A	Sales Appr		Date		Part Name. : Silkscreen
Scale	1:1	RND Appr		Date		Part No. : Black
Unit	mm	Sheet	of			Model No. : hipper-B bottom
Remark						Drawing No. :

REV	Change Content	DSND	CHKD



MOGIC® 丝印 PANTONE 428C
21.5 X 5.8 mm
1 : 1



丝印 PANTONE Cool gray 7C
48.4 X 48.5 mm
1 : 1

Font		Dsnd	Karen	Date	20141014	
Color		Sales Chkd		Date		
Rev.	A	Sales Appr		Date		Part Name. : Silkscreen
Scale	1:1	RND Appr		Date		Part No. : Black
Unit	mm	Sheet of				Model No. : hipper-B bottom
Remark						Drawing No. :