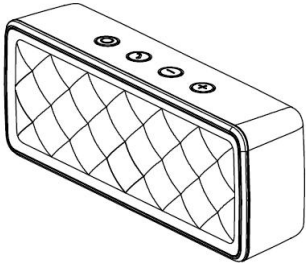



Portable Bluetooth Speaker

Contents:

Before getting started, ensure the package contains the following components:

Part		Qty
Portable Bluetooth Speaker		1
USB charging cable		1

Operation Instructions

Step 1:


Charging the speaker

1. Plug small end of the USB charging cable into micro USB jack at back of the speaker.
2. Plug the other end of the USB charging cable into an available USB port on your computer or an USB power adaptor on wall.
3. Red LED at back of the speaker is on during charging. When fully charged, the LED will go off.

Note: When battery is low, the speaker will have a warning tone and the red LED will flash slowly.

Step 2:

Play music through Bluetooth

1. Slide the switch on back of the speaker to “on” position. Blue LED at front of the speaker flashes fast.
2. Navigate to your device’s Bluetooth settings, turn on Bluetooth, and then search for available devices.
3. Select Paring Name from a list of available devices on your Bluetooth device. The Blue LED turns solid when your device is paired.
4. Choose the music on your device to play through the speaker.
5. Adjust speaker volume through the **+** and the **-** buttons on top of the speaker.
6. To disconnect from the paired Bluetooth device, turn off Bluetooth on your device or long press the  button until Blue LED flashes fast with a prompt tone.




Note:

- 1) The maximum Bluetooth range is 33 feet.
- 2) Make sure the volume level on your Bluetooth device is at least 50%.
- 3) When speaker is turned on, it will try to connect the last paired Bluetooth device automatically within 10s. If the last paired Bluetooth device is out of range, it will automatically search for another device for pairing.

Step 3:

Using the Speakerphone




When paired to your mobile phone:

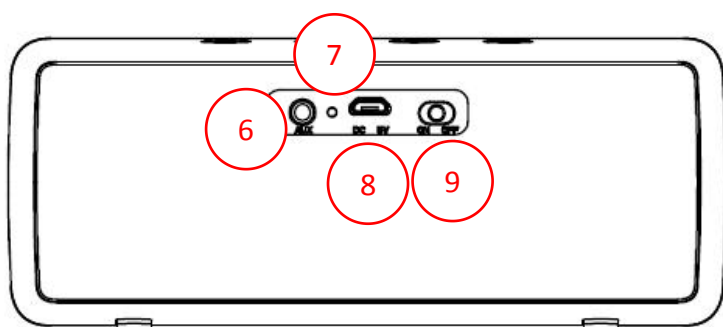
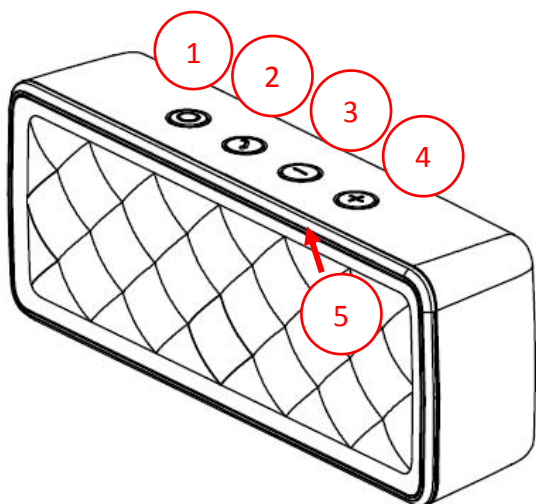
1. With a coming call, short press the  button to answer it. Double click the  button to reject the call.
2. Press the **+** or the **-** button to increase or decrease the speakerphone volume.
3. Short press the  button again to end the phone call.

Note: For Android users, make sure that the “Phone Audio” function is active in the Bluetooth settings.

Step 4:

Play music through AUX

1. Slide the switch on back of the speaker to “on” position.
2. Short press the  button on top of the speaker to switch from Bluetooth mode to AUX mode. Green LED turns on.
3. Plug one end of a 3.5mm stereo cable (not included) into AUX jack on back of the speaker.
4. Plug the other end of the stereo cable into your music player such as MP3, PC, CD player, mobile phones etc.
5. Adjust speaker volume through the  and the  buttons on top of the speaker.



#	Component	Description
1	Signal switching button	Short press to switch from Bluetooth mode to AUX mode (LED turns to green). Short press again to switch AUX mode to Bluetooth mode (LED turns to blue).
2	Call answering button	When speaker is paired with your mobile phone, with a coming call, short press to answer the call. Double click to reject the call. To end the call, short press the button again. When playing music under Bluetooth mode, short press this button to pause or replay. With Bluetooth connected, long press this button disconnect the Bluetooth.
3	Volume down button	Short press to decrease system volume. Long press to decrease system volume continuously.
4	Volume up button	Short press to increase system volume. Long press to increase system volume continuously.
5	LED indicator	Bluetooth in pairing mode: the blue LED flashes fast. Successful Bluetooth connection: Solid blue LED. AUX signal mode: Solid green LED. Speaker turned off: LED off.
6	AUX jack	Plug the connector from an external sound source, such as an MP3 player, into this jack.

7	Charging LED indicator	When speaker battery is low, the red LED flashes slowly with a warning tone. Red LED is on while charging. After charging is completed, red LED turns off.
8	Micro USB jack	Plug the small end of the charging cable into this jack to charge the speaker.
9	Power on/off switch	Switch to "ON" to turn on the speaker, blue LED flashes fast. Switch to "OFF" to turn off the speaker, LED turns off.

Cleaning and Maintenance

- To prevent fire or function issue, please turn off your Bluetooth speaker when cleaning.
 - The finish on your Bluetooth speaker may be cleaned with a dust cloth and cared for as other furniture. Use caution when cleaning and wiping the plastic parts.
 - If your Bluetooth speaker is not used for a long time, please try to charge it before using.
-

Safety and Compliance

- **FCC Warning**

This device complies with Part 15 of the FCC Rules. Operation of this product is subject to the following two conditions: (1) this device may not cause harmful interference, and (2) this device must accept any interference received, including interference that may cause undesired operation.

Changes or modifications not expressly approved by the party responsible for compliance with the FCC Rules could void the user's authority to operate this equipment.

Note: This equipment has been tested and found to comply within the limits for a class B digital device, pursuant to Part 15 of the FCC Rules. These limits are designed to provide reasonable protection against harmful interference in a residential installation. This equipment generates, uses, and can radiate radio frequency energy and, if not installed and used in accordance with the instructions, may cause harmful interference to radio communications.

However, there is no guarantee that interference will not occur in a particular installation.

If this equipment does cause harmful interference to radio or television reception, which can be determined by turning the equipment off and on, the user is encouraged to try to correct the interference by one or more of the following measures:

- Reorient or relocate the receiving antenna.
- Increase the separation between the equipment and receiver.
- Connect the equipment into an outlet on a circuit different from that to which the receiver is connected.
- Consult the dealer or an experienced technician for help.

This equipment complies with FCC radiation exposure limits set forth for an uncontrolled environment. This equipment should be installed and operated with minimum distance 20cm between the radiator & your body

The USB port is for charging used only.

- **IC Caution**

This device complies with Industry Canada license-exempt RSS standard(s). Operation is subject to the following two conditions: (1) This device may not cause interference, and (2) This device must accept any interference, including interference that may cause undesired operation of the device. This device complies

with RSS-247 of Industry Canada. Operation is subject to the condition that this device does not cause harmful interference. This Class B digital apparatus complies with Canadian ICES-003 (Cet appareil numérique de la Classe B conforme à la norme NMB-003 du Canada).

Le présent appareil est conforme aux CNR d'Industrie Canada applicables aux appareils radio exempts de licence. L'exploitation est autorisée aux deux conditions suivantes : (1) l'appareil ne doit pas produire de brouillage, et (2) l'utilisateur de l'appareil doit accepter tout brouillage radioélectrique subi, même si le brouillage est susceptible d'en compromettre le fonctionnement.

- **WEEE**



Regulatory information: Disposal of Waste Electrical and Electronic Equipment

(WEEE) The Waste Electrical and Electronic Equipment (WEEE) Directive aims to minimize the impact of electrical and electronic goods on the environment, by increasing re-use and recycling and by reducing the amount of WEEE going to

landfill. The symbol on this product or its packaging signifies that this product must be disposed separately from ordinary household wastes at its end of life. Be aware that this is your responsibility to dispose of electronic equipment at recycling centers in order to conserve natural resources.

Each country should have its collection centers for electrical and electronic equipment recycling. For information about your recycling drop off area, please contact your related electrical and electronic equipment waste management authority, your local city office, or your house-hold waste disposal service.
