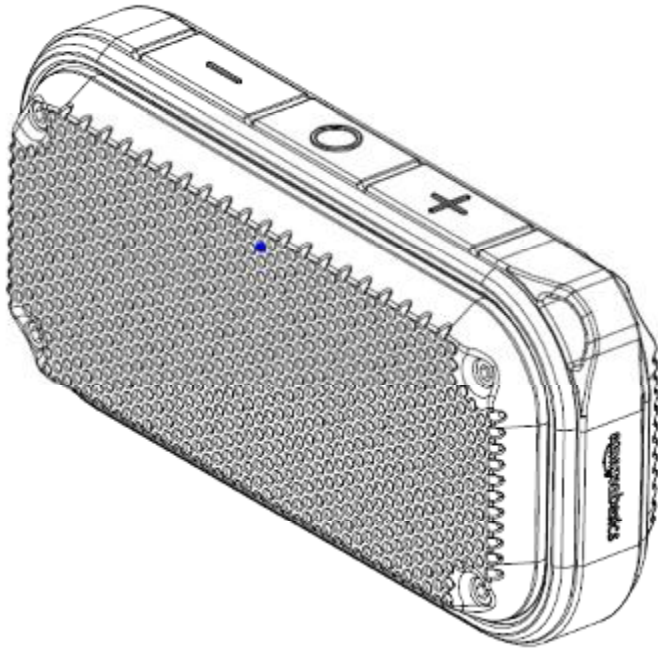


amazonbasics



Shockproof and Waterproof Bluetooth Wireless Speaker

Shockproof and Waterproof Bluetooth Wireless Speaker

Haut-Parleur Sans Fil Bluetooth Étanche à L'eau Et Résistant Aux Chocs

Altavoz Bluetooth Inalámbrico, Resistente Al Agua y a Los Golpes

Kabelloser Bluetooth-Lautsprecher, Stoßfest und Wasserdicht

Altoparlante Bluetooth Wireless Antiurto e Impermeabile

耐衝撃＋耐水 Bluetooth ワイヤレススピーカー

防震防水无线蓝牙扬声器

B01GF4YAWI

English

Français

Deutsche

Italiano

Español

日本語

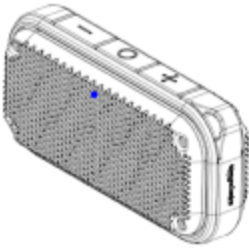


中文

| | |
|---------------|----|
| English..... | 2 |
| Français..... | 9 |
| Deutsch..... | 16 |
| Italiano..... | 23 |
| Español..... | 30 |
| 日本語..... | 37 |
| 中文..... | 44 |

Portable Bluetooth Speaker

Contents:

Before getting started, ensure the package contains the following components:

| Part | | Qty |
|-----------------------|-------------------------------------------------------------------------------------|-----|
| Waterproof BT speaker |  | 1 |
| Charging cable |  | 1 |
| Hang tag |  | 1 |

English

Français

Deutsche

Italiano

Español

日本語

中文

Operation Instructions

Step 1:

Charging the speaker

1. Plug small end of the USB charging cable into micro USB jack under the rubber USB cover.
2. Plug the other end of the USB charging cable into an available USB port on your computer or a USB power adaptor on wall.
3. Red LED is on in the front of the speaker during charging. When full charged, the LED will go off.

Note: When battery is low, the speaker will have a warning tone.

Step 2:

Play music through Bluetooth

1. Short press the power button on the speaker. Blue LED is flashes slowly in the front of the speaker.
2. Navigate to your device's Bluetooth settings, turn on Bluetooth, and then search for available devices.
3. Select Paring Name from a list of available devices on your Bluetooth device. The Blue LED turns solid when your device is paired.
4. Choose the music on your device to play through the speaker.
5. Adjust speaker volume through the + and the – buttons on top of the speaker.
6. To disconnect from the paired Bluetooth device, turn off Bluetooth on your device.




Note:

- 1) The maximum Bluetooth range is 33 feet.
- 2) Make sure the volume level on your Bluetooth device is at least 50%.
- 3) When speaker is turned on, it will try to connect the last paired Bluetooth device automatically within 20s. If the last paired Bluetooth device is out of range, it will automatically search for another device for pairing.

Step 3:

Using the Speakerphone

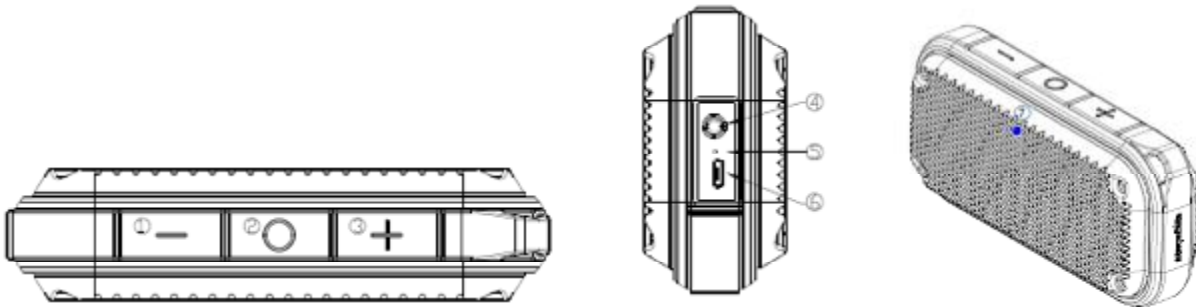
When paired to your mobile phone:

1. With a coming call, short press the  button to answer it.
2. Press the + or the – button to increase or decrease the speakerphone volume.
3. Short press the  button again to end the phone call.
4. Long press the  button to reject the incoming call.
5. For Android users: make sure that the “Phone Audio” function is active in the Bluetooth settings.

Step 4:

Play music through AUX

1. Short press the power button on the top of the speaker to turn on the speaker.
2. Plug one end of a 3.5mm stereo cable (not included) into AUX jack on back of the speaker, the AUX have the first priority will automatically change to AUX mode from Bluetooth mode.
3. Plug the other end of the stereo cable into your music player such as MP3, PC, CD player, mobile phones etc.
4. Adjust speaker volume through the + and the – buttons on top of the speaker.



| # | Component | Description |
|---|------------------------|---------------------------------------------------------------------------------------------------------------------------------------------------------------------------------------------------------------------------------------------------------------------------------------------------------------------------------------------------------------------------------------------------------------------------------------------------------------------------------------------------------------------------------------------------------------------------------------------------------------------------------------------------------------------------------------------------------------------------------------------------|
| 1 | Volume down | Short press to decrease the volume and long press to go to previous song. |
| 2 | Power & Multi-function | <ol style="list-style-type: none"> 1. Short press the power button to turn on the speaker and the blue LED flashes quickly with a warning tone. 2. Long press(3s) the power button to disconnect current connection with a warning tone and enter to pairing state again; 3. Long press(5s) the power button to turn off the speaker and the blue LED off with a warning tone. <ol style="list-style-type: none"> 1. Short press the button to answer the phone call. 2. To end a call, short press the button again. 3. To reject a call, long press the button. NOTE: For Android users: make sure that the "Phone Audio" function is active in the Bluetooth settings. |
| 3 | Volume up | Short press to increase the volume and long press to go to next song. |
| 4 | AUX IN jack | Connect an external source, such as an MP3 player. |
| 5 | Reset | Short press to automatically reboot system. |
| 6 | USB jack | Plug the small end of the charging cable into this jack to charge the speaker. |
| 7 | LED | Bluetooth is not connected: Blue LED flashes quickly; Successful Bluetooth connection: Solid blue LED. AUX signal mode: Solid blue LED. Speaker turned off: LED off. |

Cleaning and Maintenance

- To prevent fire or function issue, please turn off your Bluetooth speaker when cleaning.
 - The finish on your Bluetooth speaker may be cleaned with a dust cloth and cared for as other furniture. Use caution when cleaning and wiping the plastic parts.
 - If your Bluetooth speaker is not used for a long time, please try to charge it before using.
-

Safety and Compliance

- **FCC Warning**

This device complies with Part 15 of the FCC Rules. Operation of this product is subject to the following two conditions: (1) this device may not cause harmful interference, and (2) this device must accept any interference received, including interference that may cause undesired operation.

Changes or modifications not expressly approved by the party responsible for compliance with the FCC Rules could void the user's authority to operate this equipment.

Note: This equipment has been tested and found to comply within the limits for a class B digital device, pursuant to Part 15 of the FCC Rules. These limits are designed to provide reasonable protection against harmful interference in a residential installation. This equipment generates, uses, and can radiate radio frequency energy and, if not installed and used in accordance with the instructions, may cause harmful interference to radio communications.

However, there is no guarantee that interference will not occur in a particular installation.

If this equipment does cause harmful interference to radio or television reception, which can be determined by turning the equipment off and on, the user is encouraged to try to correct the interference by one or more of the following measures:

- Reorient or relocate the receiving antenna.
- Increase the separation between the equipment and receiver.
- Connect the equipment into an outlet on a circuit different from that to which the receiver is connected.
- Consult the dealer or an experienced technician for help.

This equipment complies with FCC radiation exposure limits set forth for an uncontrolled environment. This equipment should be installed and operated with minimum distance 20cm between the radiator & your body.

The USB port is for charging use only.

- **IC Caution**

This device complies with Industry Canada license-exempt RSS standard(s). Operation is subject to the following two conditions: (1) this device may not cause interference, and (2) this device must accept any interference, including interference that may cause undesired operation of the device.

This device complies with RSS-247 of Industry Canada. Operation is subject to the condition that this device does not cause harmful interference. This Class B digital apparatus complies with Canadian ICES-003.

- **WEEE**



Regulatory information: Disposal of Waste Electrical and Electronic Equipment

(WEEE) The Waste Electrical and Electronic Equipment (WEEE) Directive aims to minimize the impact of electrical and electronic goods on the environment, by increasing re-use and recycling and by reducing the amount of WEEE going to landfill. The symbol on this product or its packaging signifies that this product must be disposed separately from ordinary household wastes at its end of life. Be aware that this is your responsibility to dispose of electronic equipment at recycling centers in order to conserve natural resources.

Each country should have its collection centers for electrical and electronic equipment recycling. For information about your recycling drop off area, please contact your related electrical and electronic equipment waste management authority, your local city office, or your house-hold waste disposal service.

Warranty Information

To obtain a copy of
product:

Visit amazon.com/AmazonBasics/Warranty

the warranty for this



- or -



Contact Customer Service at 1-866-216-1072

Feedback

Love It? Hate It?

Let us know with a customer review.

AmazonBasics is committed to delivering customer-driven products that live up to your high standards. We encourage you to write a review sharing your experiences with the product.

Please visit: <https://www.amazon.com/review/review-your-purchases>



For further service:

 Visit amazon.com/gp/help/customer/contact-us

— or —

 Contact Customer Service at 1-866-216-1072

English

Français

Deutsche

Italiano

Español

日本語

中文

amazonbasics

amazon.com/AmazonBasics

MADE IN CHINA