



849 NW STATE ROAD 45
NEWBERRY, FL 32669 USA
PH: 888.472.2424 OR 352.472.5500
FAX: 352.472.2030
EMAIL: INFO@TIMCOENGR.COM
[HTTP://WWW.TIMCOENGR.COM](http://WWW.TIMCOENGR.COM)

FCC PART 90 TEST REPORT

APPLICANT	DAMM CELLULAR SYSTEMS A/S
	MOLLEGADE 68 6400 SONDERBORG
FCC ID	Z5W-105002
IC CERTIFICATION	10159A-105002
MODEL NUMBER	BS421 Base Station 410-420/420-430MHz
PRODUCT DESCRIPTION	Base Station Transceiver
DATE SAMPLE RECEIVED	1/25/2012
DATE TESTED	2/16/2012
TESTED BY	Joe Scoglio
APPROVED BY	Mario R. de Aranzeta
TIMCO REPORT NO.	216AT12TestReport.doc
TEST RESULTS	<input checked="" type="checkbox"/> PASS <input type="checkbox"/> FAIL

**THE ATTACHED REPORT SHALL NOT BE REPRODUCED EXCEPT IN FULL
WITHOUT THE WRITTEN APPROVAL OF TIMCO ENGINEERING, INC.**



Certificate #0955-01



TABLE OF CONTENTS

GENERAL REMARKS 3

GENERAL INFORMATION 4

TEST PROCEDURES 5

RF POWER OUTPUT 6

MODULATION CHARACTERISTICS 7

AUDIO FREQUENCY RESPONSE 8

AUDIO LOW PASS FILTER 8

AUDIO INPUT VERSUS MODULATION 8

OCCUPIED BANDWIDTH 9

SPURIOUS EMISSIONS AT ANTENNA TERMINALS (CONDUCTED) 14

FIELD STRENGTH OF SPURIOUS EMISSIONS 16

FREQUENCY STABILITY 18

TRANSIENT FREQUENCY BEHAVIOR 20

EMC EQUIPMENT LIST 22

Applicant: DAMM CELLULAR SYSTEMS A/S
 FCC ID: Z5W-105002
 IC CERT #: 10159A-105002
 Report: D\DAMM\216AT12\216AT12TestReport.doc

GENERAL REMARKS

The attached report shall not be reproduced except in full without the written permission of Timco Engineering Inc.

The test results relate only to the items tested.

Summary

The device under test does:

- fulfill the general approval requirements as identified in this test report
- not fulfill the general approval requirements as identified in this test report

Attestations

This equipment has been tested in accordance with the standards identified in this test report. To the best of my knowledge and belief, these tests were performed using the measurement procedures described in this report.

All instrumentation and accessories used to test products for compliance to the indicated standards are calibrated regularly in accordance with ISO 17025: 2005 requirements.



Testing Certificate # 0955-01

I attest that the necessary measurements were made, under my supervision, at:

Timco Engineering Inc.
849 NW State Road 45
Newberry, Fl 32669



Authorized Signatory Name:

Mario de Aranzeta C.E.T.
Compliance Engineer/ Lab. Supervisor

Date: February 16, 2012

Applicant: DAMM CELLULAR SYSTEMS A/S
FCC ID: Z5W-105002
IC CERT #: 10159A-105002
Report: D\DAMM\216AT12\216AT12TestReport.doc

GENERAL INFORMATION
DUT Specification

DUT Description	Base station transceiver
FCC ID	Z5W-105002
IC Certification	10159A-105002
Model Number	BS421 Base Station 406.1 - 420/420 - 430MHz
Serial Number	N/A
Operating Frequency	TX: 410 - 430 MHz
Test Frequencies	420.0, 425.0, 430.0 MHz
Type of Emission	20K0D1W
Modulation	0.20 modified TETRA
	$\pi/4$ DQPSK TETRA
DUT Power Source	<input checked="" type="checkbox"/> 110-120Vac/50- 60Hz
	<input type="checkbox"/> DC Power 12V
	<input type="checkbox"/> Battery Operated Exclusively
Test Item	<input type="checkbox"/> Prototype
	<input checked="" type="checkbox"/> Pre-Production
	<input type="checkbox"/> Production
Type of Equipment	<input checked="" type="checkbox"/> Fixed
	<input type="checkbox"/> Mobile
	<input type="checkbox"/> Portable
Test Conditions	Temperature was 26°C Relative humidity of 50%.
Modification to the DUT	None
Test Exercise	The DUT was placed in continuous transmit mode.
Applicable Standards	ANSI/TIA 603-C:2004, FCC CFR 47 Part 90, IC RSS-119, RSS-GEN
Test Facility	Timco Engineering Inc. at 849 NW State Road 45 Newberry, FL 32669 USA.

Applicant: DAMM CELLULAR SYSTEMS A/S
 FCC ID: Z5W-105002
 IC CERT #: 10159A-105002
 Report: D\DAMM\216AT12\216AT12TestReport.doc

TEST PROCEDURES

Power Line Conducted Interference: The procedure used was ANSI/TIA 603-C:2004 using a 50uH LISN. Both lines were observed with the DUT transmitting. The bandwidth of the spectrum analyzer was 10 kHz with an appropriate sweep speed.

Bandwidth 20 dB: The measurements were made with the spectrum analyzer's resolution bandwidth (RBW) = 1 MHz and the video bandwidth (VBW) = 3 MHz and the span set as shown on plot.

Power Output: The RF power output was measured at the antenna feed point using a peak power meter.

Antenna Conducted Emissions: The RBW = 100 kHz, VBW = 300 kHz and the span set to 10 MHz and the spectrum was scanned from 30 MHz to the 10th harmonic of the fundamental. Above 1 GHz the resolution bandwidth was 1 MHz and the VBW = 3 MHz and the span to 50 MHz.

Radiation Interference: The test procedure used was ANSI/TIA 603-C: 2004 using an Agilent spectrum receiver with pre-selector. The bandwidth (RBW) of the spectrum receiver was 100 kHz up to 1 GHz and 1 MHz above 1 GHz with an appropriate sweep speed. The VBW above 1 GHz was 3 MHz. The analyzer was calibrated in dB above a micro volt at the output of the antenna.

Applicant: DAMM CELLULAR SYSTEMS A/S
FCC ID: Z5W-105002
IC CERT #: 10159A-105002
Report: D\DAMM\216AT12\216AT12TestReport.doc

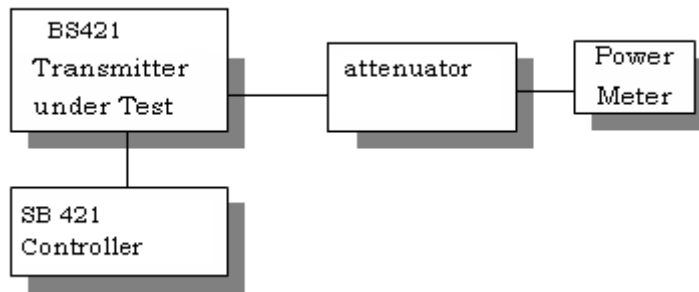
RF POWER OUTPUT

Rule Part No.: FCC Part 2.1046(a), IC RSS-119 4.1 and 5.4, RSS-GEN 4.8

Test Requirements:

Method of Measurement: RF power is measured by connecting a 50-ohm, resistive wattmeter through an attenuator to the RF output connector. The transmitter was properly adjusted for the maximum power output available and the minimum power available and the RF output measures:

Test Setup Diagram:



Test Data:

OUTPUT POWER:

Frequency	High	Low
mode	0.20 TETRA	0.20 TETRA
420	10.6	0.6
425	10.6	0.6
430	10.5	0.6

The output power is continuously variable by software selection.

Part 2.1033 (C)(8) DC Input into the final amplifier

For the high power setting in either mode.

Input Power: $(26.0\text{ V}) \times (3.2\text{ A}) = 83.5\text{ Watts}$

	High	Low
mode	0.20 TETRA	0.20TETRA
Volts	Amps	Amps
26	3.2	1.5

MODULATION CHARACTERISTICS

Part 2.1033(c)

Part 2.1033(c) (4) Type of Emission:

Type of Emission: $\pi/4$ DQPSK TETRA as defined in EN 300 392-2.

TETRA is a digital, trunked radio technology that operates with Time Division Multiple Access (TDMA) in four-slot channels within a twenty-five kilohertz bandwidth.

This unit has two distinct and different but similar modulation schemes. One being as defined above and the second mode which is similar and implemented through a software change only where:

Description of the modified modulation:

From ETSI EN 300 392-2 part 5.5 the requirement for the output spectrum of a TETRA signal $G(f)$ is:

$$\begin{array}{ll}
 G(f) = 1 & \text{for } |f| \leq (1 - \alpha)/2T \\
 G(f) = \sqrt{0.5(1 - \sin(\pi(2|f|T - 1)/2\alpha))} & \text{for } (1 - \alpha)/2T \leq |f| \leq (1 + \alpha)/2T \\
 G(f) = 0 & \text{for } |f| \geq (1 + \alpha)/2T
 \end{array}$$

Where α is the roll-off factor, which determines the width of the transmission band at a given symbol rate. For TETRA the value of α shall be 0.35.

This spectrum can't fulfill the requirement of the FCC. Therefore the shape of the output spectrum has been modified by changing α from 0.35 to 0.20. This gives a narrowed spectrum that meets the FCC requirements for the 20 kHz bandwidth.

The TETRA and modified modulation meets the spectrum efficiency requirements of Part 90.

AUDIO FREQUENCY RESPONSE

Rule Part No.: FCC Part 2.1047(a)(b), IC RSS-119 5.2

Test Requirements:

Method of Measurement:

The audio frequency response was measured in accordance with ANSI/TIA 603-C: 2004. A curve or equivalent data showing the frequency response of the audio modulating circuit over a range of 100 – 5000Hz shall be submitted. The audio frequency response curve is shown below.

AUDIO FREQUENCY RESPONSE PLOT

Digitally encoded voice

AUDIO LOW PASS FILTER

VOICE MODULATED COMMUNICATION EQUIPMENT

Part 2.1047(a) Voice modulated communication equipment: For equipment required to have an audio low-pass filter, a curve showing the frequency response of the filter, or of all the circuitry installed between the modulation limiter and the modulated stage shall be submitted.

AUDIO LOW PASS FILTER

Digitally encoded voice

AUDIO INPUT VERSUS MODULATION

Rule Part No.: FCC Part 2.1047(b) & 90, IC RSS-119 5.2

Test Requirements:

Method of Measurement: **Modulation cannot exceed 100%**, The audio input level needed for a particular percentage of modulation was measured in accordance with ANSI/TIA 603-C: 2004. The audio input curves versus modulation are shown below. Curves are provided for audio input frequencies of 300, 1000, and 2500 Hz.

Test data:

Modulation Limiting Plot

N/A

Digitally encoded voice

Applicant: DAMM CELLULAR SYSTEMS A/S
FCC ID: Z5W-105002
IC CERT #: 10159A-105002
Report: D\DAMM\216AT12\216AT12TestReport.doc

OCCUPIED BANDWIDTH

FCC Part 2.1049(c), RSS-GEN 4.6 EMISSION BANDWIDTH FCC Part 90.210(b) RSS-119 4.2 25 kHz Channel Spacing

Data in the plots show that on any frequency removed from the assigned frequency by more than 50%, but not more than 100%: At least 25 dB. On any frequency removed from the assigned frequency by more than 100%, but not more than 250%: At least 35 dB. On any frequency removed from the assigned frequency by more than 250%, of the authorized bandwidth: At least $43 + 10\log(P)$ dB.

Part 90.210(c) 25 kHz Channel Spacing Not Equipped with a Low Pass Filter

For transmitters that are not equipped with an audio low pass filter pursuant to S90.211 (b), the power of any emission must be attenuated below the un-modulated carrier output power as follows; (1) On any frequency removed from the center of the authorized bandwidth by a displacement frequency (f_d in kHz) of more than 5 kHz but not more than 10 kHz: At least $83 \log(f_d/5)$ dB; (2) ON any frequency removed from the center of the authorized bandwidth by a displacement frequency (f_d in kHz) of more than 10 kHz, but not more than 250% of the authorized bandwidth: At least $29 \log(f_d/11)$ dB or 50 dB, whichever is the lesser attenuation; (3) On any frequency removed from the center of the authorized bandwidth by more than 250% of the authorized bandwidth: At least $43 + 10 \log(P_o)$ dB.

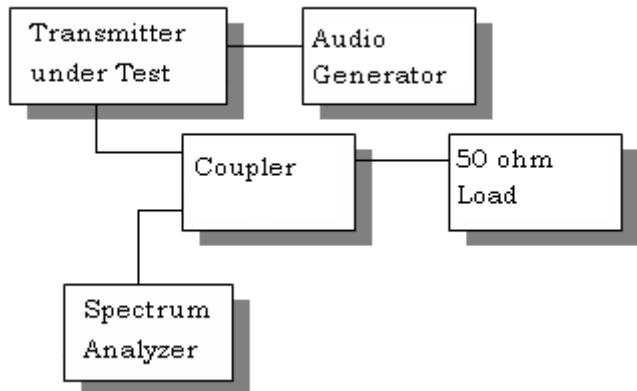
Applicant: DAMM CELLULAR SYSTEMS A/S
FCC ID: Z5W-105002
IC CERT #: 10159A-105002
Report: D\DAMM\216AT12\216AT12TestReport.doc

OCCUPIED BANDWIDTH MEASUREMENT

Test procedure: ANSI/TIA-603-C: 2004 para 2.2.11.

Test Setup Diagram:

OCCUPIED BANDWIDTH MEASUREMENT

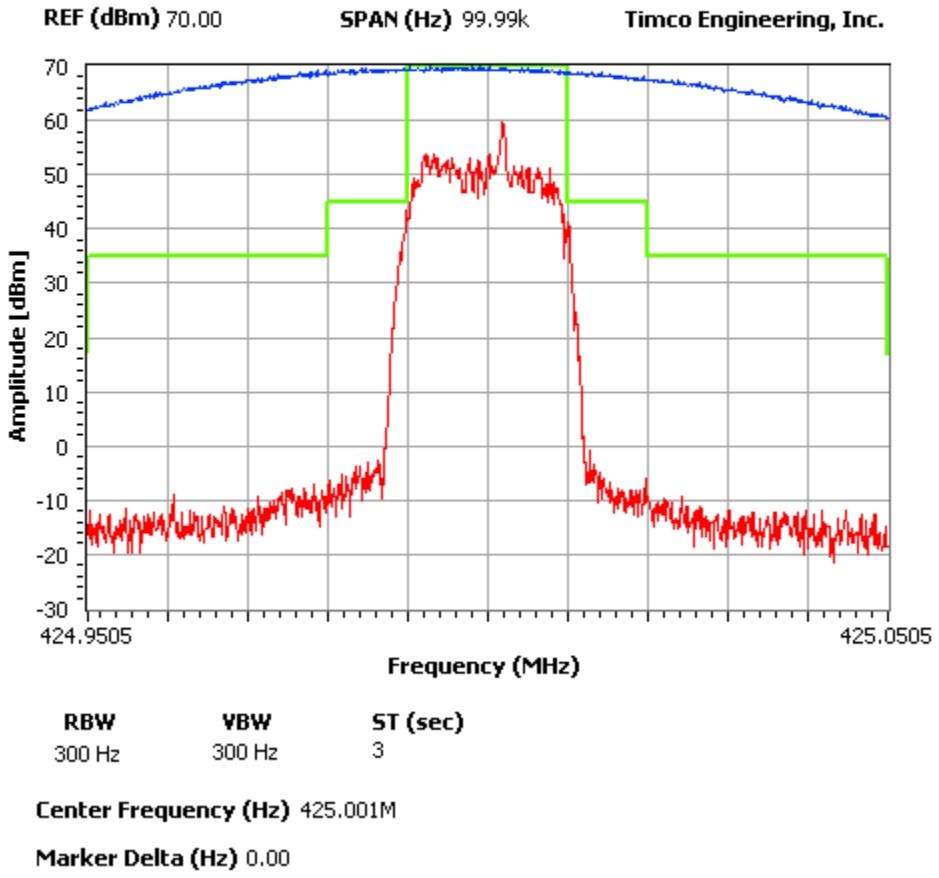


Test Data: See the plots below

OBW
0.20 modified TETRA
425 MHz

NOTES: Mask B 20 kHz 0.20 TETRA

FCC 90.210 Mask B

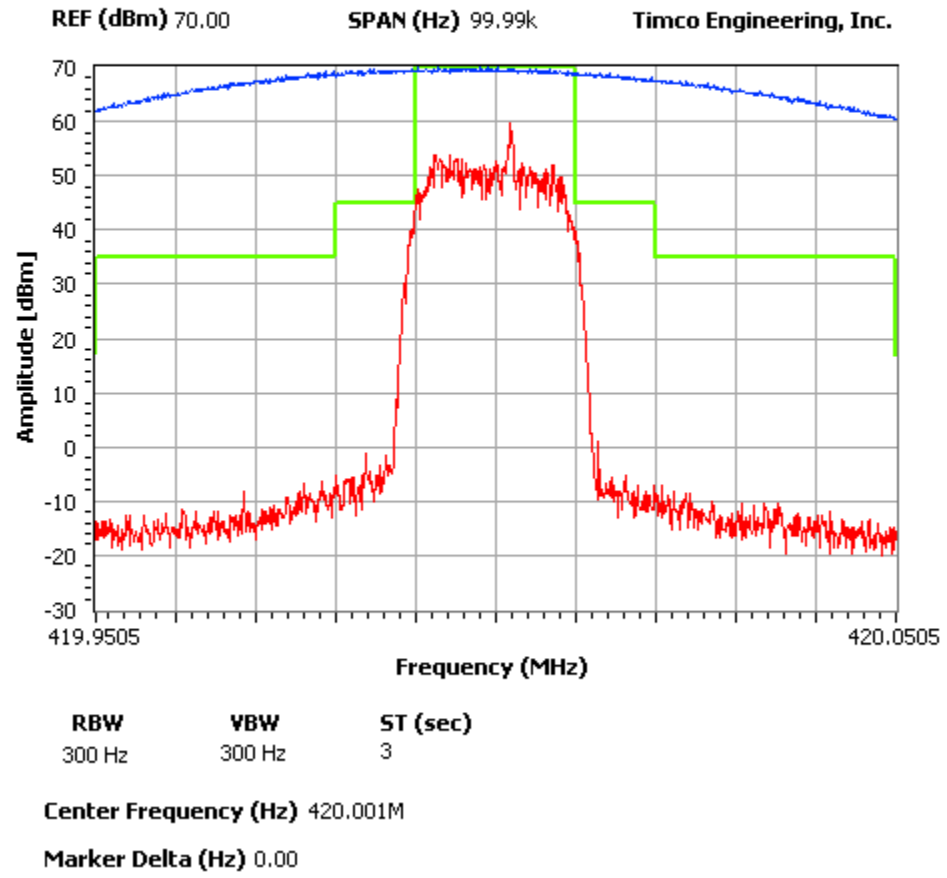


Applicant: DAMM CELLULAR SYSTEMS A/S
 FCC ID: Z5W-105002
 IC CERT #: 10159A-105002
 Report: D\DAMM\216AT12\216AT12TestReport.doc

OBW 20 kHz
 0.2 modified TETRA
 420 MHz

NOTES:

FCC 90.210 Mask B

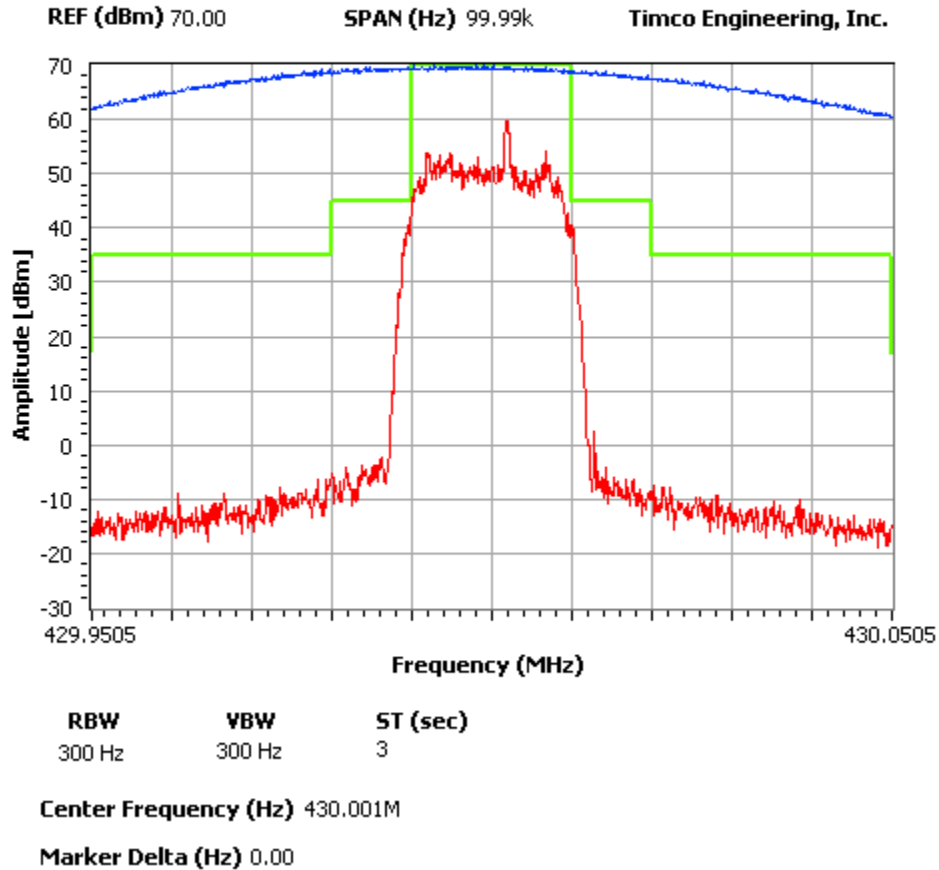


Applicant: DAMM CELLULAR SYSTEMS A/S
 FCC ID: Z5W-105002
 IC CERT #: 10159A-105002
 Report: D\DAMM\216AT12\216AT12TestReport.doc

OBW 20 kHz
 0.2 modified TETRA
 430 MHz

NOTES:

FCC 90.210 Mask B



Applicant: DAMM CELLULAR SYSTEMS A/S
 FCC ID: Z5W-105002
 IC CERT #: 10159A-105002
 Report: D\DAMM\216AT12\216AT12TestReport.doc

SPURIOUS EMISSIONS AT ANTENNA TERMINALS (CONDUCTED)

Rule Part No.: FCC Part 2.1051(a), RSS-GEN 7.1.4

Requirements: 25 kHz Channel Spacing = 53dBc (for 10 Watts)

Method of Measurement: The carrier was modulated 100% using a 2500 Hz tone. The spectrum was scanned from the lowest frequency generated or 9 kHz to at least the 10th harmonic of the fundamental. The measurements were made in accordance with standard ANSI/TIA 603-C: 2004.

Test Data:

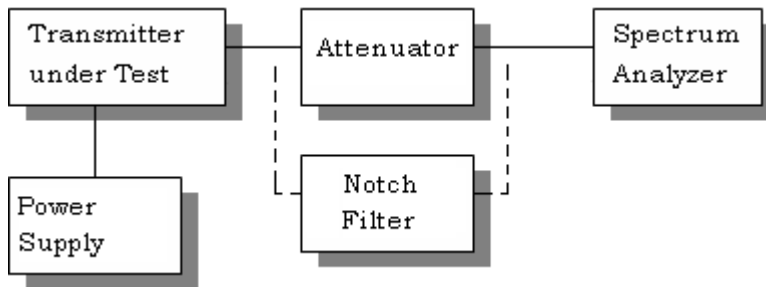
Several places in the band were investigated and the worst cases are presented.

TF HIGH POWER	EF	dB below carrier		TF LOW POWER	EF	dB below carrier
420	420	0		420	420	0
	840	115.9			840	103.4
	1260	105.3			1260	101.4
	1680	113.1			1680	102.3
	2100	116.6			2100	105.5
	2520	117.5			2520	106
	2940	115.6			2940	105.9
	3360	121.3			3360	107.5
	3780	118.3			3780	105.4
	4200	120.5			4200	107.4

TF HIGH POWER	EF	dB below carrier		TF LOW POWER	EF	dB below carrier
425	425	0		425	425	0
	850	110.2			850	101.2
	1275	86.1			1275	98.3
	1700	112.5			1700	99.4
	2125	113.8			2125	104.6
	2550	117			2550	104.8
	2975	113.4			2975	105.7
	3400	117.9			3400	107.6
	3825	117.6			3825	105.5
	4250	116.6			4250	105.4

TF HIGH POWER	EF	dB below carrier		TF LOW POWER	EF	dB below carrier
430	430	0		430	430	0
	860	111.8			860	101.5
	1290	100.4			1290	100.1
	1720	111.5			1720	109.2
	2150	111.4			2150	106.4
	2580	117.8			2580	106.2
	3010	117.7			3010	105.4
	3440	121.1			3440	108
	3870	119.1			3870	106.8
	4300	117.5			4300	105.6

Method of Measuring Conducted Spurious Emissions



METHOD OF MEASUREMENT: The procedure used was ANSI/TIA 603-C: 2004.

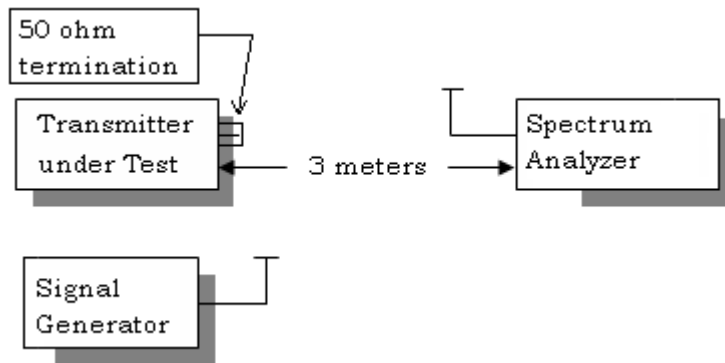
FIELD STRENGTH OF SPURIOUS EMISSIONS

Rule Parts. No.: FCC Part 2.1053, RSS-GEN 4.9

Requirements: The FCC limits for radiated emissions are the same as previously stated for the conducted emissions.

METHOD OF MEASUREMENT: The tabulated data shows the results of the radiated field strength emissions test. The spectrum was scanned from 30 MHz to at least the tenth harmonic of the fundamental. This test was conducted per ANSI/TIA 603-C: 2004 using the substitution method. Measurements were made at the test site of TIMCO ENGINEERING, INC. located at 849 NW State Road 45, Newberry, FL 32669.

Test Setup Diagram:



Test Data:

High Power

Emission Frequency MHz	Ant. Polarity	dB Below Carrier (dBc)
420.00	V	0
840.00	V	108.5
1260.00	H	98.6

Low Power

Emission Frequency MHz	Ant. Polarity	dB Below Carrier (dBc)
420.00	V	0
840.00	V	96.4
1260.00	H	86.6

High Power

Emission Frequency MHz	Ant. Polarity	dB Below Carrier (dBc)
425.00	V	0
850.00	V	105.6
1275.00	H	96.9

Low Power

Emission Frequency MHz	Ant. Polarity	dB Below Carrier (dBc)
425.00	V	0
850.00	V	94.8
1275.00	H	86.0

HIGH POWER

Emission Frequency MHz	Ant. Polarity	dB Below Carrier (dBc)
430.00	V	0
860.00	V	106.6
1290.00	V	97.6

LOW POWER

Emission Frequency MHz	Ant. Polarity	dB Below Carrier (dBc)
430.00	V	0
860.00	V	94.1
1290.00	H	85.9

Applicant: DAMM CELLULAR SYSTEMS A/S
 FCC ID: Z5W-105002
 IC CERT #: 10159A-105002
 Report: D\DAMM\216AT12\216AT12TestReport.doc

FREQUENCY STABILITY

Rule Parts. No.: FCC Part 2.1055, Part 90.213, RSS-119 5.3, RSS-GEN 7.2.4

Requirements: Temperature range requirements: -30 to +50° C.
 Voltage Variation +, -15%
 ±1.0 PPM

Method of Measurements: ANSI/TIA 603-C: 2004

Test Data:

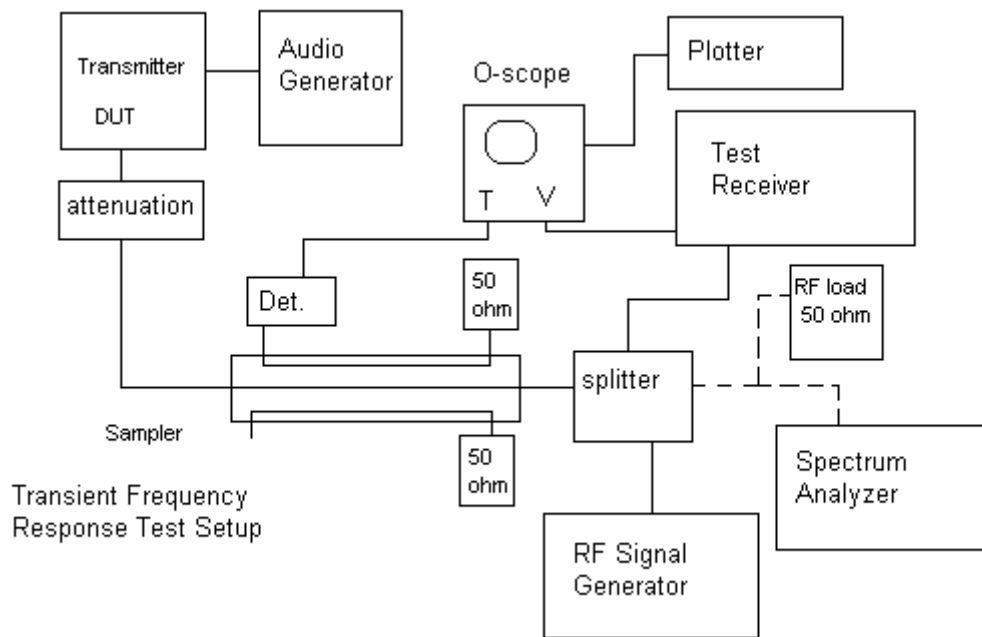
Assigned Frequency (Ref. Frequency) (MHz)		425.000000
Temperature (°C)	Frequency (MHz)	Frequency Stability (PPM)
-30	424.999993	-0.016
-20	424.999994	-0.014
-10	424.999996	-0.009
0	425.000000	0.000
+10	425.000001	0.002
+20	425.000000	0.000
+30	425.000000	0.000
+40	425.000002	0.005
+50	425.000003	0.007

Assigned Frequency (Ref. Frequency) (MHz)		425.000000
% Battery (%)	Frequency (MHz)	Frequency Stability (PPM)
-15%	425.000001	0.0
+15%	425.000000	0.0

Applicant: DAMM CELLULAR SYSTEMS A/S
 FCC ID: Z5W-105002
 IC CERT #: 10159A-105002
 Report: D\DAMM\216AT12\216AT12TestReport.doc

TEST PROCEDURE: ANSI/TIA 603-C:2004 PARA 2.2.19

1. Using the variable attenuator the transmitter level was set to 40 dB below the test receivers maximum input level, then the transmitter was turned off.
2. With the transmitter off the signal generator was set 20dB below the level of the transmitter in the above step, this level will be maintained with the signal generator through-out the test.
3. Reduce the attenuation between the transmitter and the RF detector by 30 dB. With the levels set as above the transient frequency behavior was observed & recorded.



TRANSIENT FREQUENCY BEHAVIOR

FCC Part 2.1055(a)(1)

FCC Part 90.214, IC RSS-119 5.8

REQUIREMENTS: Transmitters designed to operate in the 150-174 MHz and 421-512 MHz frequency bands must maintain transient frequencies within the maximum transient frequencies within the maximum frequency difference limits during the time intervals indicated:

Time Intervals	Maximum frequency difference	All Equipment	
		150-174 MHz	421-512 MHz

Transient Frequency Behavior for Equipment Designed to Operate on 25 kHz Channels

Time Intervals	Maximum frequency difference	150-174 MHz	421-512 MHz
t_1^4	± 25.0 kHz	5.0 ms	10.0 ms
t_2	± 12.5 kHz	20.0 ms	25.0 ms
t_3^4	± 25.0 kHz	5.0 ms	10.0 ms

Transient Frequency Behavior for Equipment Designed to Operate on 12.5 kHz Channels

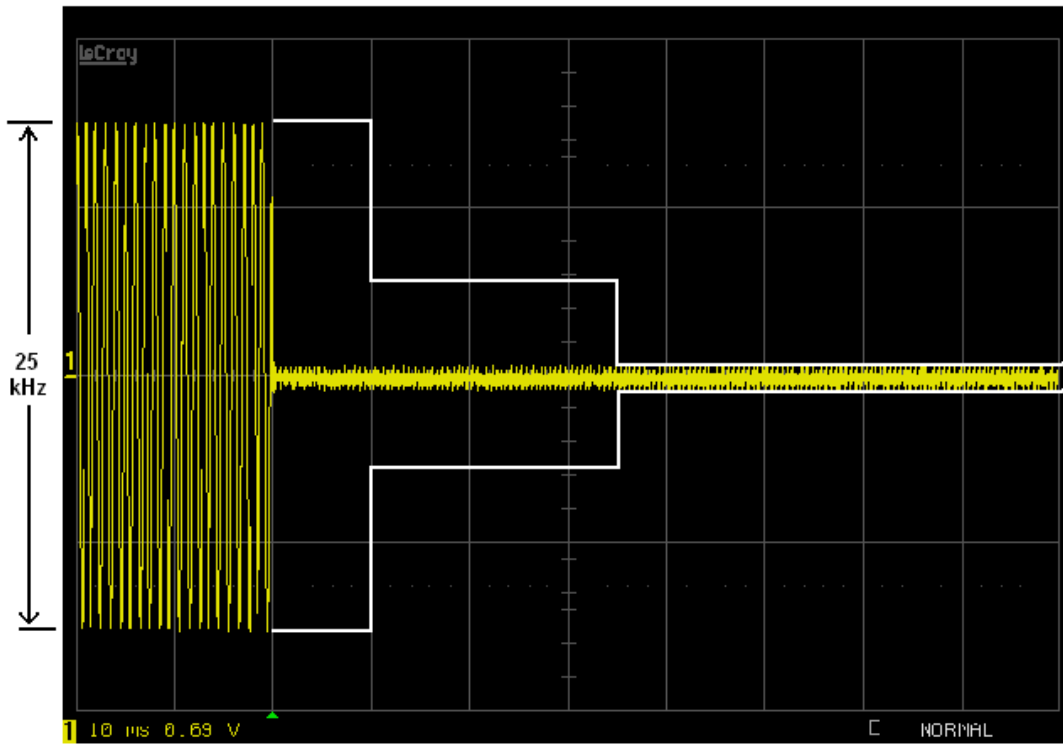
Time Intervals	Maximum frequency difference	150-174 MHz	421-512 MHz
t_1^4	± 12.5 kHz	5.0 ms	10.0 ms
t_2	± 6.25 kHz	20.0 ms	25.0 ms
t_3^4	± 12.5 kHz	5.0 ms	10.0 ms

Transient Frequency Behavior for Equipment Designed to Operate on 6.25 kHz Channels

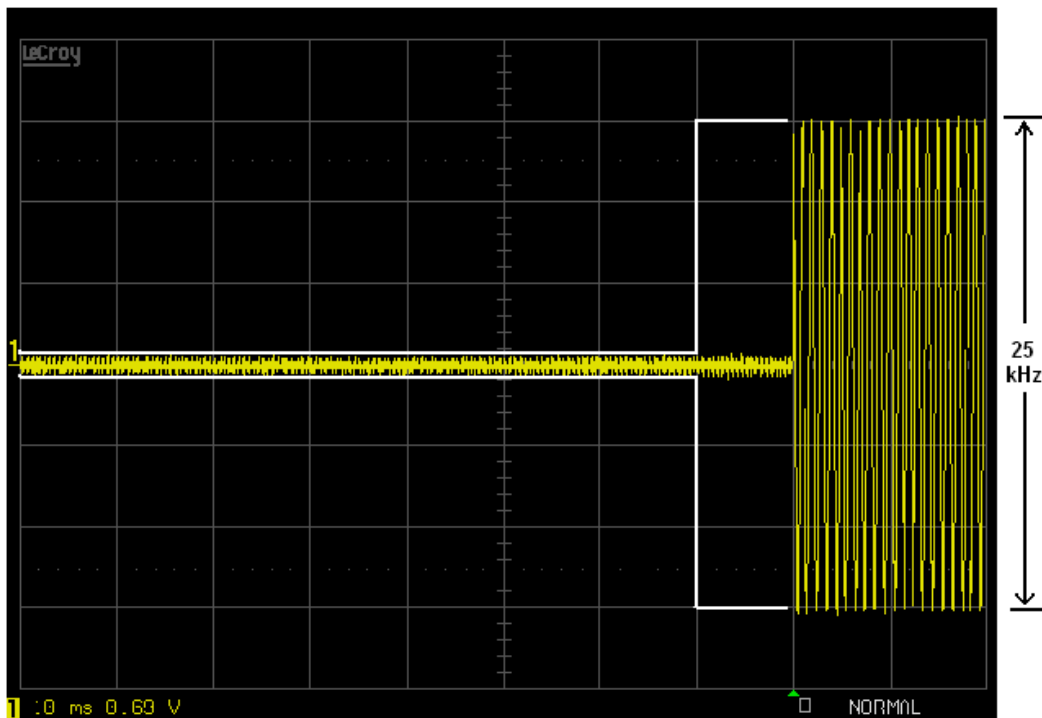
Time Intervals	Maximum frequency difference	150-174 MHz	421-512 MHz
t_1^4	± 6.25 kHz	5.0 ms	10.0 ms
t_2	± 3.125 kHz	20.0 ms	25.0 ms
t_3^4	± 6.25 kHz	5.0 ms	10.0 ms

The transient response for 0.20 modified TETRA was checked on 3 channels and were found to be the same and one channel presented below.

Applicant: DAMM CELLULAR SYSTEMS A/S
 FCC ID: Z5W-105002
 IC CERT #: 10159A-105002
 Report: D\DAMM\216AT12\216AT12TestReport.doc



turn on



Turn off

Applicant: DAMM CELLULAR SYSTEMS A/S
 FCC ID: Z5W-105002
 IC CERT #: 10159A-105002
 Report: D\DAMM\216AT12\216AT12TestReport.doc

EMC EQUIPMENT LIST

Device	Manufacturer	Model	Serial Number	Cal/Char Date	Due Date
Analyzer Tan Tower Spectrum Analyzer	HP	8566B Opt 462	3138A07786 3144A20661	11/24/09	10/28/13
Analyzer Tan Tower Preamplifier	HP	8449B-H02	3008A00372	11/21/09	10/28/13
Antenna: Biconnical	Eaton	94455-1	1096	05/04/11	05/04/13
Antenna: Log-Periodic	Electro-Metrics	LPA-25	1122	05/04/11	05/04/13
Frequency Counter	HP	5352B	2632A00165	06/22/11	06/22/13
Frequency Counter	HP	5385A	2730A03025	08/17/11	08/17/13
Power meter	Boonton	4531	11793	11/12/2010	11/12/2012
Hygro-Thermometer	Extech	445703	0602	06/15/11	06/15/13
Digital Multimeter	Fluke	77	35053830	09/09/11	09/09/13
Analyzer Tan Tower RF Preselector	HP	85685A	3221A01400	11/21/09	10/28/13
Antenna: Passive Loop	EMC Test Systems	EMCO 6512	9706-1211	06/02/09	06/02/12
Modulation Analyzer	HP	8901A	3435A06868	07/18/11	07/18/13
Analyzer Tan Tower Quasi-Peak Adapter	HP	85650A	3303A01690	11/22/09	10/28/13
Temperature Chamber	Tenney Engineering	TTRC	11717-7	06/18/10	06/18/12
Frequency Counter	HP	5385A	3242A07460	06/22/11	06/22/13
3-Meter Semi-Anechoic Chamber	Panashield	N/A	N/A	12/31/2011	12/31/2013

Applicant: DAMM CELLULAR SYSTEMS A/S
 FCC ID: Z5W-105002
 IC CERT #: 10159A-105002
 Report: D\DAMM\216AT12\216AT12TestReport.doc