

## What is it

The Main Board BLE is the key to your creative projects. It has all the code inside that can make your projects blink and buzz. Connect it with any combination of Input + Output to start your inventions.

## How it works

The Main Board BLE has a pre-set 'snap-and-play Program' to help you play and learn all the modules quickly and easily. It can also provide 5 volts of electricity to the circuit (except for motors) using a micro-USB cable.

You can program the Main Board BLE very easily with drag-and-drop graphical programming (see Codecraft at **PG 6**) to achieve more challenging projects see the Project Guide.

## Real world analogy



Computer



PC Host

## Main Board BLE

### Reset Button

Hold down the button for over 5s to restore firmware

### Power

Turn on when power on

### TxRx

Light flashes during data transfer

### Status

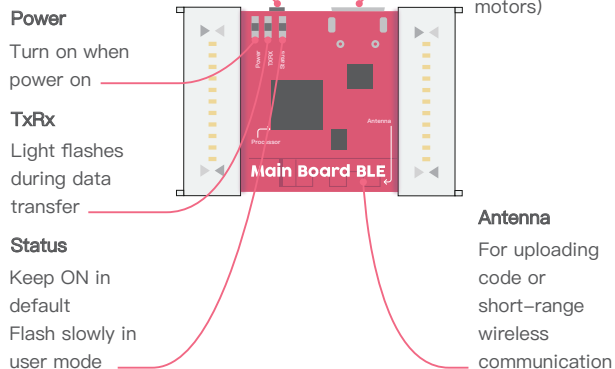
Keep ON in default  
Flash slowly in user mode

### USB Port

For uploading code or supply power to the circuit (except for motors)

### Antenna

For uploading code or short-range wireless communication



## FCC Warning

Warning: changes or modifications not expressly approved by the party responsible for compliance could void the user's authority to operate the equipment.

This equipment complies with FCC radiation exposure limits set forth for an uncontrolled environment. This equipment should be installed and operated with a minimum distance of 20cm between the radiator and your body. This transmitter must not be co-located or operating in conjunction with any other antenna or transmitter.

Note: This equipment has been tested and found to comply with the limits for a Class B digital device, pursuant to part 15 of the FCC Rules. These limits are designed to provide reasonable protection against harmful interference in a residential installation. This equipment generates, uses and can radiate radio frequency energy and, if not installed and used in accordance with the instructions, may cause harmful interference to radio communications. However, there is no guarantee that interference will not occur in a particular installation. If this equipment does cause harmful interference to radio or television reception, which can be determined by turning the equipment off and on, the user is encouraged to try to correct the interference by one or more of the following measures:

- Reorient or relocate the receiving antenna.
- Increase the separation between the equipment and receiver.
- Connect the equipment into an outlet on a circuit different from that to which the receiver is connected.
- Consult the dealer or an experienced radio/TV technician for help.

## Supplier's Declaration of Conformity

47 CFR § 2.1077 Compliance Information

Unique Identifier: BLE Module, Grove Zero – Main Board BLE

Responsible Party – U.S. Contact Information

Company Name: Seeed Inc

Company Address: The Gate, Suite 266, 1933 Davis Street, San Leandro, California, USA

Contact Person: Erin Linke Telephone number: 1.408.887.0729

## FCC Compliance Statement

This device complies with Part 15 of the FCC Rules. Operation is subject to the following two conditions: (1) This device may not cause harmful interference, and (2) this device must accept any interference received, including interference that may cause undesired operation.

**Grove**  **Zero**

<http://en.chmakered.com>