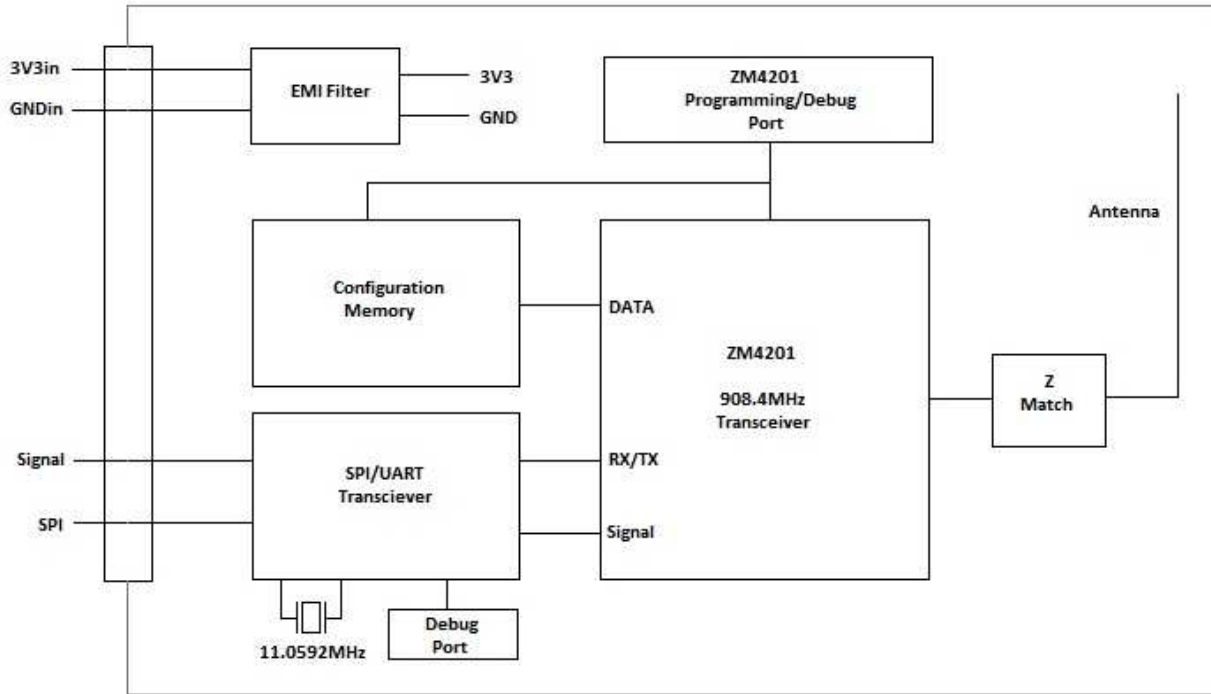


Z-Wave Module Block Diagram



The Z-Wave Module is centered around the ZM4102 Z-Wave Transceiver programmed as a Z-Wave Controller, generating a carrier frequency of 908.4MH.

A PIC18F25K22 provides an SPI/UART translation to allow communications between the host system and the ZM4102 Transceiver.