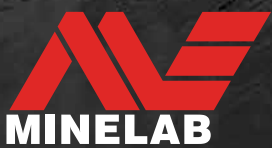


ASSEMBLY

VANQUISH 440/540

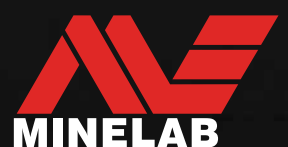
**GETTING STARTED WITH THE
VANQUISH 440/540**



minelab.com/vanquish

Translations of this Getting Started Guide and the full length VANQUISH User Manual are available to download online.

POWERED BY **Multi-IQ**
Simultaneous Multi-Frequency Technology



4901-0304-1

QUICK START

- 1 TURN ON
- 2 WAIT FOR 5 SECONDS
- 3 GO DETECTING



SEARCH MODES

COIN



Find coins from around the world while ignoring trash in parks and at the beach.

RELIC



Locate relics deep and forgotten in time in fields and forests.

JEWELLERY



Recover precious jewellery no matter where it was lost.

CUSTOM

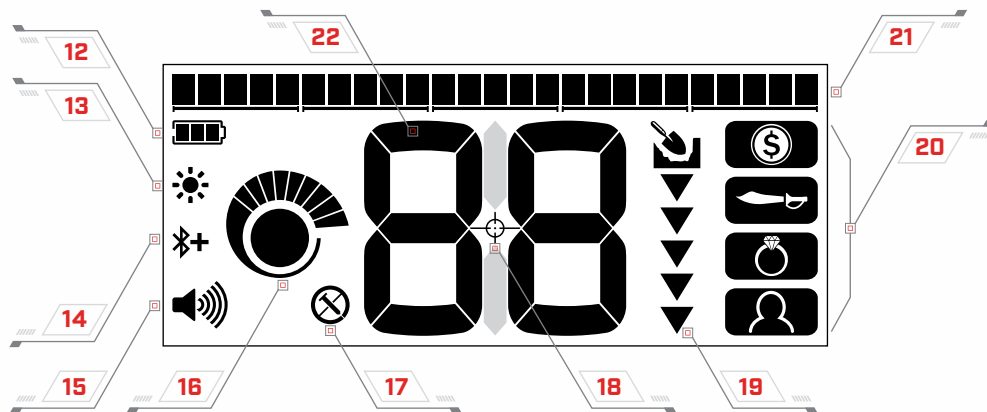


Customisable user mode, optimised for US coins as default.

CONTROLS



DISPLAY



CONTROLS

- | | |
|--------------------------|-------------------------------|
| 1 BACKLIGHT ON/OFF (540) | 7 ACCEPT/REJECT |
| 2 POWER ON/OFF | 8 DISCRIMINATION PATTERN EDIT |
| 3 VOLUME ADJUST | 9 SEARCH MODE |
| 4 ALL METAL | 10 BLUETOOTH ON/OFF (540) |
| 5 PINPOINT | 11 TARGET ID GUIDE |
| 6 SENSITIVITY ADJUST | |

DISPLAY

- | | |
|------------------------------|----------------------------|
| 12 BATTERY LEVEL | 18 PINPOINT INDICATOR |
| 13 BACKLIGHT INDICATOR (540) | 19 DEPTH GAUGE |
| 14 BLUETOOTH ON/OFF (540) | 20 SEARCH MODES |
| 15 VOLUME LEVEL | 21 DISCRIMINATION SEGMENTS |
| 16 SENSITIVITY LEVEL | 22 TARGET ID NUMBER |
| 17 IRON DISCRIMINATION | |