

⚠ IMPORTANT INSTRUCTIONS

When using electrical appliances, basic precautions should always be followed to reduce the risk of fire, electric shock and injury to person, including the following:

1. Read all instructions before using this heater.
2. Wiring procedures and connections should be in accordance with the National Electric Code (NEC & CEC) and local codes.
3. Extreme caution is necessary when any heater is used by or near children or invalids and whenever the unit is left operating and unattended.
4. Do not operate any heater after it malfunctions. Disconnect power at service panel and have heater inspected by a certified electrician before reusing.
5. To disconnect heater, turn off power to heater circuit at main disconnect panel.
6. Use this heater only as described in this manual. Any other use not recommended by the manufacturer may cause fire, electric shock, or injury to persons.
7. A heater has hot and arcing or sparking parts inside. Do not use it in areas where gasoline, paint or flammable liquids are used or stored.
8. This heater is hot when in use. To avoid burns, do not let bare skin touch hot surfaces. Keep combustible materials such as: furniture, pillows, bedding, papers, clothes and curtains away from heater.
9. To prevent a possible fire, do not block air intakes or exhaust in any manner. Do not use on soft surfaces like a bed where openings may become blocked.
10. Do not insert or allow foreign objects to enter any ventilation or exhaust opening as this may cause an electric shock or fire, or damage the heater.

! NOTE: This equipment has been tested and found to comply with the limits for a Class B digital device, pursuant to Part 15 of the FCC Rules. These limits are designed to provide reasonable protection against harmful interference in a residential installation. This equipment generates, uses and can radiate radio frequency energy and, if not installed and used in accordance with the instructions, may cause harmful interference to radio communications. However, there is no guarantee that interference will not occur in a particular installation. If this equipment does cause harmful interference to radio or television reception, which can be determined by turning the equipment off and on, the user is encouraged to try to correct the interference by one of the following measures:

- Reorient or relocate the receiving antenna.
- Increase the separation between the equipment and receiver.
- Connect the equipment on a circuit different from that to which the receiver is connected.
- Consult the dealer or an experienced radio/TV technician for help.

This device complies with Part 15 of the FCC Rules. Operation is subject to the following two conditions: (1) This device may not cause harmful interference, and (2) this device must accept any interference received, including interference that may cause undesired operation.

⚠ FCC CAUTION: Any changes or modifications not expressly approved by the party responsible for compliance could void the user's authority to operate this equipment.

This device complies with Industry Canada licence-exempt RSS standard(s). Operation is subject to the following two conditions: (1) this device may not cause interference, and (2) this device must accept any interference, including interference that may cause undesired operation of the device.

SAVE THESE INSTRUCTIONS

✂ INSTALLATION INSTRUCTIONS

⚠ CAUTION: Place furniture/objects no closer than 3ft (91cm) in front of the heater. Ensure that the inlet and bottom of the heater is unobstructed to allow for sufficient air flow through the unit.

1. Unpack the heater from the carton.
2. Determine the correct mounting height for the heater. The bottom of the heater should be mounted a minimum of 8" (20.3 cm) from the floor. The recess box is designed so that it can be mounted between two studs within the wall.
3. The recess box requires an opening in the wall 13.5" (34.5 cm) high by 8 3/8" (21.5 cm) wide (see Figure 1). Depth of opening must be 3 3/4" (9.5 cm) minimum, measured from finished wall surface.

! NOTE: The sides of the recess box are marked with guidelines to allow for 1/2" and 5/8" drywall thickness. When installing the recess box before installing drywall, when installing the recess box before installing drywall, use the depth guidelines to mount the box at the appropriate depth for drywall thickness, and proper grille installation.

4. Remove appropriate electrical knockout and secure supply wire using an approved strain relief connector, leaving 6" (15.2 cm) of wire leads in the recess box. (Figure 1)

! NOTE: It is only necessary to remove the knockout that will feed the power supply wiring, keeping in mind the heater mounting location and supply wire location on the wall.

5. The recess box can be secured using the front flanges at the top and bottom or from the inside into surrounding studs. Ensure that the recess box is oriented so that the knockouts are located at the bottom and the flanges are flush with the finished wall.

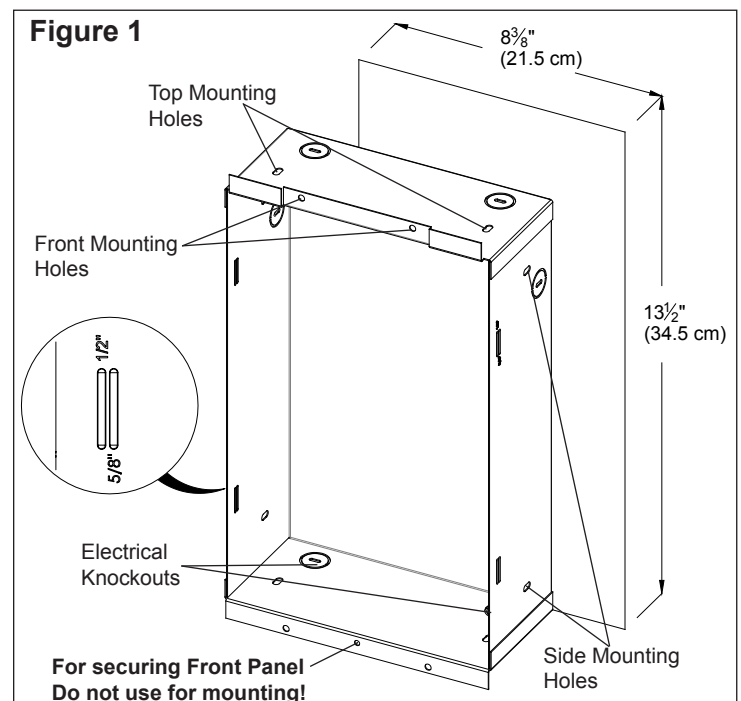
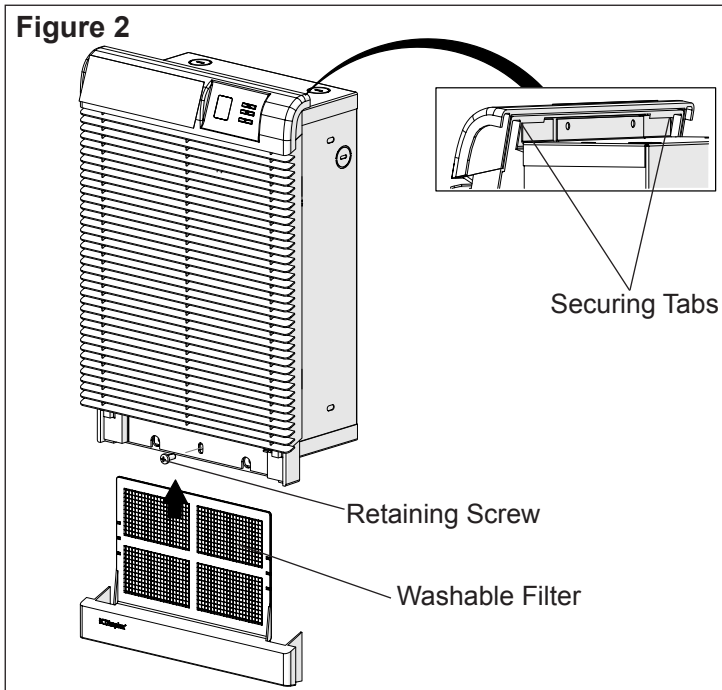


Figure 2



6. Proceed to the wiring instructions.

Supply Wiring and Heater Installation

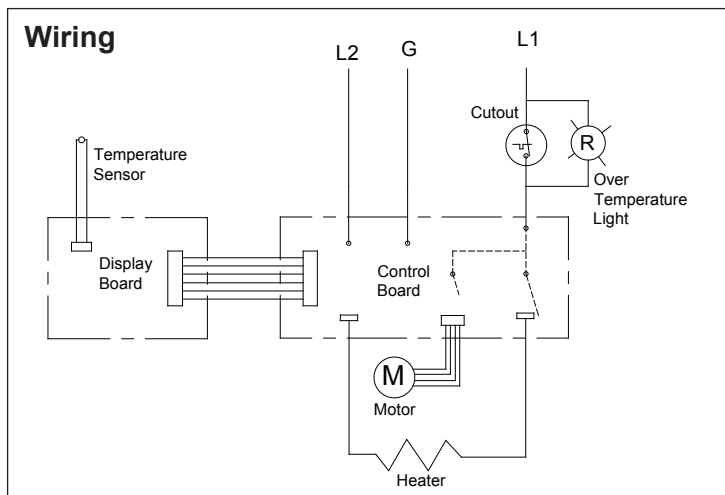
⚠ WARNING: Wiring procedures and connections should be in accordance with the National Electric Code (NEC & CEC) and local codes.

1. Insert approximately 6" (15.2 cm) of supply wire into recess box through the desired knockout. Wire should be rated for a minimum of 75°C (167°F)
2. Connect power supply to terminals provided marked L1 and L2. Ground wire should be secured to green wire provided inside of the heater assembly.

⚠ WARNING: All units are factory prewired for operation with the built-in thermostat. **THIS HEATER IS NOT TO BE USED WITH A REGULAR WALL THERMOSTAT.**

3. Do a final and complete check of all wiring.
4. Attach heater by hanging heater on upper tabs then securing at the bottom using the supplied screw.
5. Insert the air filter through the bottom slot, until it clicks into place.

⚠ WARNING: TO PREVENT THE RISK OF FIRE OR INJURY, DO NOT OPERATE THE HEATER UNLESS IT IS FULLY ASSEMBLED.



OPERATION

⚠ WARNING: This heater is factory prewired for operation with the built-in thermostat. **THIS HEATER IS NOT TO BE USED WITH A REGULAR WALL THERMOSTAT.**

⚠ CAUTION: This heater must be properly installed before it is used.

! NOTE: Prior to energizing remove all construction dirt (plaster, sawdust, etc.) from interior and exterior of heater. The PCH is a Precision Comfort Heater, which maintains a constant room temperature through the continuous addition of heat by the blowing of air into the room based on the setting of the thermostat. The PCH operates such that once the room reaches the set point, the fan and heater **will continuously run** at a low level, to maintain the desired room temperature. If the temperature in the room rises, i.e. sun coming through a window, the fan will slow further and the temperature of the heater will reduce so that the temperature of the room will continue to be the same.

! NOTE: The element retains heat after shutdown, there is a built in cool down period of 2 ½ minutes before the fan shuts off completely.

⚠ WARNING: Should the Over Temp light come on, disconnect power to the heater and call a licensed electrician. **DO NOT USE HEATER UNTIL THE CAUSE OF THE PROBLEM IS DETERMINED AND FIXED.**

Dimplex heaters are designed and tested for safe and trouble-free operation. All Dimplex heaters are protected against overheating by a built-in thermal cutout. Free airflow throughout the heater is extremely important for the most efficient operation of the heater. Restricted airflow may cause the thermal overload protector to cycle the heater "ON and OFF". A cycling heater will not supply sufficient heat to the room.

! NOTE: The unit is designed so that the fan and heater will run continuously. During normal operation the fan should be running at a low speed to maintain the room temperature.

Manual Controls

(See Figure 3 for display reference)

When power is first supplied to the PCH the Setpoint Temperature will flash in the temperature display area. At any time either the **+** or **-** button can be pressed to have the temperature setpoint displayed again.

A. Setting/Temperature Display **88.5**

The PCH is designed to control the temperature of a room anywhere from 32-86°F (0-30°C). By pressing the **+** or **-** will increase or decrease the desired temperature for the room to be heated by 0.5° (in either °C or °F).

After 5 seconds the Setpoint Temperature will switch to display the ambient temperature of the room.

! NOTE: Pressing the **+** and **-** at the same time will toggle between °C and °F.

B. Comfort Setting

The Comfort Setting icon will be displayed when the heater is in normal operation based on the Setpoint Temperature for the room.



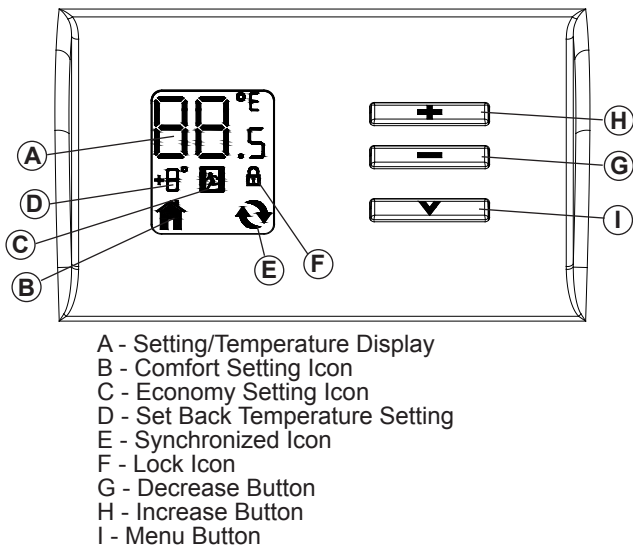


! NOTE: Either the  or  icon will always be visible, dependent on the setting being used.

Figure 3



C. Economy Setting

The Economy Setting can be used to change the Setpoint Temperature for a user determined period of time. By pressing the **V** the Economy Setting will be enabled - signified by the icon flashing. After the Set Back Temperature has been set, the icon will become solid after three seconds and the Set Back Temperature will be enabled.



To return back to the Comfort Setting press the **V** button. The  icon will disappear and the  icon will appear.

C. Set Back Temperature Setting

The Set Back Temperature Setting is used during periods when the Economy setting feature is active. This temperature adjustment can be set by pressing the **V** followed by the **+** or **-**.

E. Synchronized Icon

The PCH features CONNEX™, a wireless technology that works with Dimplex single and multi-zone CONNEX™ controllers to provide simple whole home connectivity and comfort. CONNEX™ controllers are available to control one or multiple Precision Comfort Heaters within a 50' (15 m) radius. In order for the controller to have this function the PCH and the controller will need to be synchronized. To do this:

1. On the PCH heater press and hold the **V** button for 3 seconds, both the  and  icons will begin to flash.
2. Press the **-**, **+** and then **V**, on the PCH heater.
3. Within 10 seconds press any button once on the CONNEX™ Controller.

! NOTE: There is a 3 second delay between pressing the last button on the controller and the PCH heater.

! NOTE: To desynchronize a PCH heater from the synchronized CONNEX™ Controller; on either the PCH heater or the controller:

1. Press and hold the **V** for 3 seconds.
2. Press the **V**, **+** and then **-**.

Nothing will need to be done to the other component.





Dimplex single and multi-zone CONNEX™ controllers are

sold separately and are available for purchase from your authorized Dimplex dealer.

To find your local Dimplex dealer, visit www.dimplex.com.

F. Lock Icon

The PCH has a Button Lock feature to prevent settings from accidentally being changed.

1. Press and hold the **V** for 3 seconds. Both the  and  icons will begin to flash.
2. **To Enable:** Within 5 seconds press **+**, then **-**, then **+**, then **-**. The  icon will appear
To Disable: Within 5 seconds press **-**, then **+**, then **-**, then **+**. The  icon will disappear.

! NOTE: The PCH can be locked in either the Comfort or Economy Setting. Ensure that the desired icons are present when locking is complete.

Boost Function

The PCH is also equipped with a “Boost Function” which allows the user to run the unit at full heat, for a predetermined amount of time, to quickly heat up a cold room/space. The Boost can be set for a maximum of 20 minutes, in 5 minute increments.

To enable Boost:

1. Press and hold **+** for 5 seconds. The area where the temperature normally displays will begin to toggle between the display of “HI” and “20”.
2. The length of time that Boost is enabled for can be adjusted by pressing the **+** or **-** buttons. Every time the **+** or **-** button is pressed the timer will be adjusted by 5 minutes and will cycle back to 20 minutes.
3. When the timer times out the heater will return to the programmed settings.

! NOTE: At any time you can hold down the **-** button for 5 seconds and exit the Boost function.

MAINTENANCE

⚠ WARNING: Always disconnect power at the circuit breaker to the unit prior to performing any maintenance or service operation.

⚠ CAUTION: Allow adequate time for the element and body casing to cool before attempting to work on the heater.

It is suggested that the heater be inspected regularly, for cleanliness of the air filter and fan exhaust grille, to ensure optimal performance is maintained. Both the filter and grille can be cleaned by:

- Vacuuming off all dust and dirt or,
- Washing the filter in warm, soapy water and allowing to dry thoroughly before reinstalling.

Once cleaning is complete replace the grille and filter, and restore power.

! NOTE: NEVER operate the heater without the filter and front grille in place.

At least at yearly intervals the wire connection condition should be inspected to ensure full electrical continuity and optimal performance is maintained.

⚠ WARNING: The user can perform cleaning ONLY. All other servicing should be performed by qualified service personnel.

WARRANTY

The Manufacturer warrants the linear convector and components of the enclosed product against any defect in material or workmanship for a period of two years from the date of purchase, with the exception of the elements which are warranted to be free from defect in material and workmanship for five years. In full satisfaction of any claims under this Warranty the Manufacturer will repair or replace without charge, in its factory or in the field as it alone may decide, any parts which in its opinion are defective.

The Manufacturer shall not be responsible for any transportation or shipping costs in relation to such repair or replacement except as specifically assumed by it. Misuse of this product or repairs by persons other than the Manufacturer's authorized personnel without the Manufacturer's written approval, will void this Warranty.

This Warranty is in lieu of all other warranties or conditions whether expressed or implied including but not limited to those of merchantability or fitness for purpose and shall constitute the sole remedy of the Purchaser and the sole liability of the Manufacturer in respect of the sale of the product, whether in the nature of breach or breach of fundamental term, or of negligence or otherwise.

The Manufacturer shall not be liable for any special, indirect or consequential damages or for any damages resulting from removal or replacement of a heater subject to warranty claim without the Manufacturer's authorization.

This Warranty is transferable by the original consumer purchaser of the product. Any claims under this Warranty must be submitted in writing to the Service Manager, Dimplex North America Ltd., 1367 Industrial Rd., Cambridge, Ontario N1R 7G8, Canada.

Replacement Parts

Filter	0441050100RP
Blower Blade	5300270100RP
Blower Motor	2000410100RP
Power Board	3000980100RP
Display Board	3001040100RP
1000W Element	2203550100RP
2000W Element	2203550200RP
Front Grille	1024710100RP

CONNEX™ Controllers 	
Single Controller	DPCRWS
Multi-zone Controller	CX-MPC



1367 Industrial Road Cambridge ON Canada N1R 7G8
1-888-346-7539 • www.dimplex.com

In keeping with our policy of continuous product improvement, we reserve the right to make changes without notice.
© 2012 Dimplex North America Limited



⚠ INSTRUCTIONS IMPORTANTES

Lorsqu'un appareil électrique est utilisé, il est important de toujours prendre des précautions de base pour réduire les risques d'incendie, de chocs électriques et de blessures, y compris les suivantes :

1. Lire toutes les instructions avant d'utiliser ce chauffage.
2. Les procédures et les connexions du câblage doivent être conformes au Code national de l'électricité (CEC et NEC) et aux codes locaux.
3. Faire preuve d'une grande prudence lorsque l'appareil est utilisé par des enfants ou des personnes handicapées, s'il est en marche à proximité d'eux, ou s'il est en marche et laissé sans surveillance.
4. Ne pas faire fonctionner un appareil de chauffage après un mauvais fonctionnement. Couper le courant au panneau de service et ont chauffe inspectés par un électricien certifié avant de les réutiliser.
5. Pour débrancher l'appareil, couper l'alimentation de circuit de chauffage moment de la déconnexion du panneau principal.
6. Utilisez cet appareil uniquement comme décrit dans ce manuel. Toute autre utilisation non recommandée par le fabricant peut causer un incendie, de choc électrique, ou de blessures.
7. Tous les chauffages contiennent des pièces qui chauffent et produisent un arc électrique ou des étincelles. Ne pas faire fonctionner l'appareil dans des endroits où de l'essence, de la peinture ou d'autres produits inflammables sont utilisés ou entreposés.
8. Pour débrancher l'appareil, couper l'alimentation de circuit de chauffage moment de la déconnexion du panneau principal.
9. Le chauffage devient chaud lorsqu'il est en marche. Pour éviter les brûlures, ne pas toucher les surfaces chaudes. Tenir le chauffage éloigné des matériaux combustibles, tels que: les meubles, les oreillers, la literie, le papier, les vêtements et les rideaux.
10. Pour éviter un incendie, ne pas obstruer l'entrée ou la sortie d'air d'aucune façon. Ne pas placer l'appareil sur des surfaces souples, comme les lits, car ses ouvertures risquent d'être obstruées.
11. Ne pas introduire ou laisser entrer des corps étrangers dans la prise d'air de ventilation ou la bouche de sortie d'air, car cela peut occasionner des chocs électriques, provoquer un incendie ou endommager le chauffage.

! NOTA: Cet appareil a été testé et jugé conforme aux limites autorisées pour un dispositif numérique de classe B, en vertu de la partie 15 des règlements de la FCC. Ces limites visent à offrir une protection raisonnable contre les interférences nuisibles dans une installation résidentielle. Ce produit génère, utilise et peut émettre de l'énergie radioélectrique. S'il n'est pas installé et utilisé selon les instructions, il peut causer des interférences nuisibles aux communications radio. Toutefois, il n'y a aucune garantie que l'appareil ne causera pas d'interférence dans le cas d'une installation particulière. Si ce produit cause des interférences nuisibles à la réception des signaux de radio ou de télévision, ce qui peut être vérifié en mettant le commutateur de l'appareil en position de marche puis d'arrêt, nous recommandons à l'utilisateur de tenter d'éliminer les interférences à l'aide d'une ou de plusieurs des mesures suivantes :

- Changer l'orientation ou l'emplacement de l'antenne réceptrice.
- Augmenter la distance entre l'appareil et le récepteur.
- Brancher l'appareil à un circuit autre que celui auquel le récepteur est branché.
- Consulter le détaillant ou un technicien radio/télévision expérimenté pour obtenir de l'aide.

L'appareil est conforme à la partie 15 des règlements de la FCC. L'utilisation de l'appareil est assujettie aux deux conditions suivantes: (1) L'appareil ne doit pas causer d'interférences nuisibles. (2) L'appareil doit accepter toute interférence captée, y compris les interférences susceptibles de causer un fonctionnement indésirable.

⚠ MISE EN GARDE DE LA FCC: Les changements ou les modifications n'ayant pas fait l'objet d'une approbation expresse de la partie responsable de la conformité auront pour effet d'annuler le droit d'utilisation de l'appareil par l'utilisateur.

Cet appareil est conforme aux normes CNR relatives aux dispositifs exempts de licence d'Industrie Canada. L'utilisation de l'appareil est assujettie aux deux conditions suivantes : (1) L'appareil ne doit pas causer d'interférences. (2) L'appareil doit accepter toute interférence captée, y compris les interférences susceptibles de causer un fonctionnement indésirable de l'appareil.

CONSERVER CES INSTRUCTIONS INSTRUCTIONS D'INSTALLATION

⚠ MISE EN GARDE: La distance entre les meubles/objets et l'avant du chauffage ne doit pas être inférieure à 3 pi (91 cm). S'assurer que l'entrée d'air et le bas du chauffage ne sont pas obstrués, afin que la circulation d'air dans l'appareil soit suffisante.

1. Débarrasser le chauffage.
2. Déterminer la hauteur de montage appropriée du chauffage. Le bas du chauffage doit être monté à au moins 8 po (20,3 cm) du plancher. Le boîtier encastrable a été conçu de façon à pouvoir être installé entre deux montants à l'intérieur du mur.
3. Le boîtier encastrable exige une ouverture de 13,5 po (34,5 cm) de hauteur par 8 3/8 po (21,5 cm) de largeur dans le mur (voir la Figure 1). La profondeur de l'ouverture doit être d'au moins 3 3/4 po (9,5 cm), mesurée à partir de la surface du mur fini.

! NOTA: Les parois du boîtier encastrable portent des marques indicatrices qui permettent de tenir compte d'une cloison sèche de ½ po et de ¾ po d'épaisseur. Si vous installez le boîtier encastrable avant de poser la cloison sèche, lors de l'installation le boîtier d'encastrement avant d'installer les cloisons sèches, utiliser les lignes directrices de profondeur pour monter la boîte à la profondeur appropriée pour une épaisseur de cloisons sèches, et bonne installation de la grille.

4. Retirer le disque défonçable approprié et fixer le câble

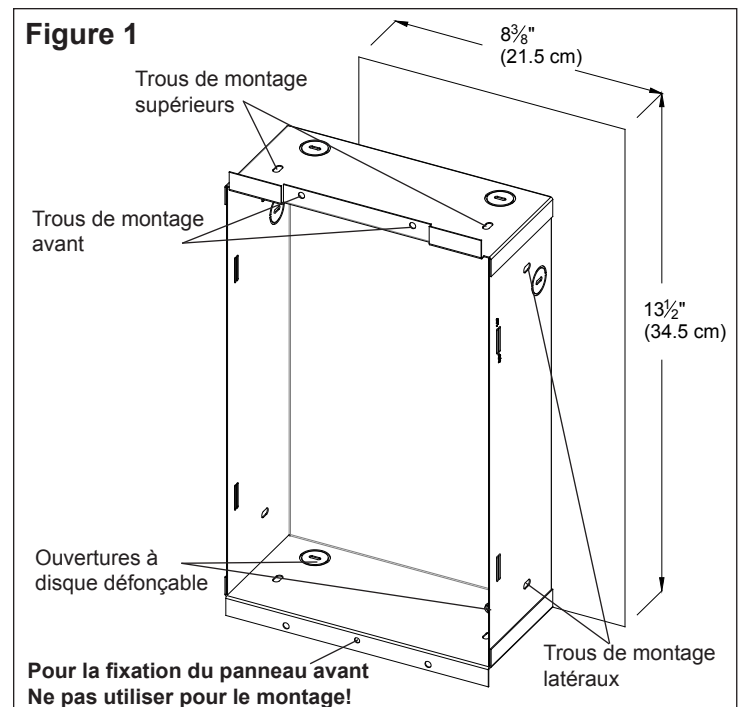
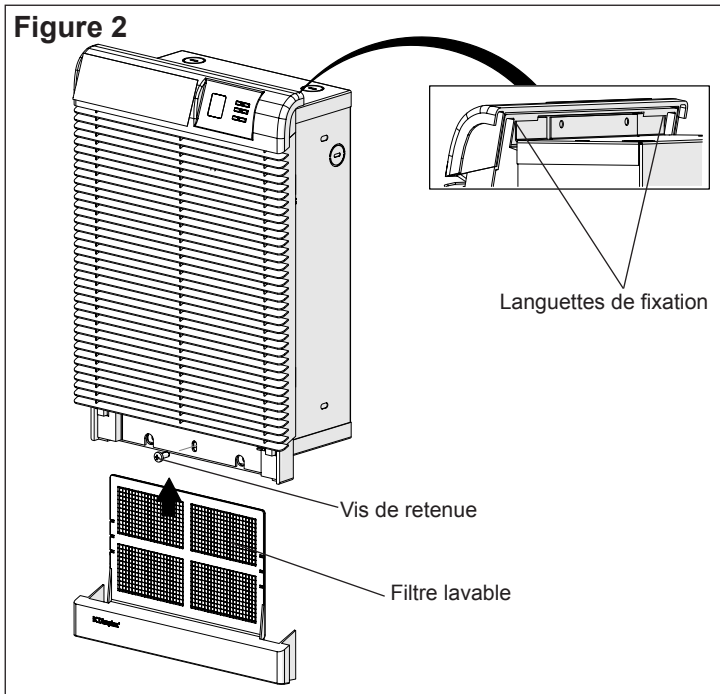


Figure 2



d'alimentation électrique à l'aide d'un connecteur à bague anti-traction approuvé, en laissant 6 po (15,2 cm) de câble dépasser dans le boîtier encastrable. (Figure 1)

! NOTA: Il faut seulement retirer le disque défonçable requis pour faire passer le câble d'alimentation, en tenant compte de l'endroit où le chauffage sera monté et de l'emplacement du câble d'alimentation sur le mur.

- Le boîtier encastrable peut être fixé à l'aide des brides frontales sur le dessus et le dessous ou à partir de l'intérieur dans chacun des montants latéraux. S'assurer que le boîtier encastrable est orienté de façon à ce que les ouvertures à disque défonçable se trouvent au bas et que les brides sont au même niveau que le mur fini.
- Passer aux instructions de câblage.

Installation du câble d'alimentation électrique et du chauffage

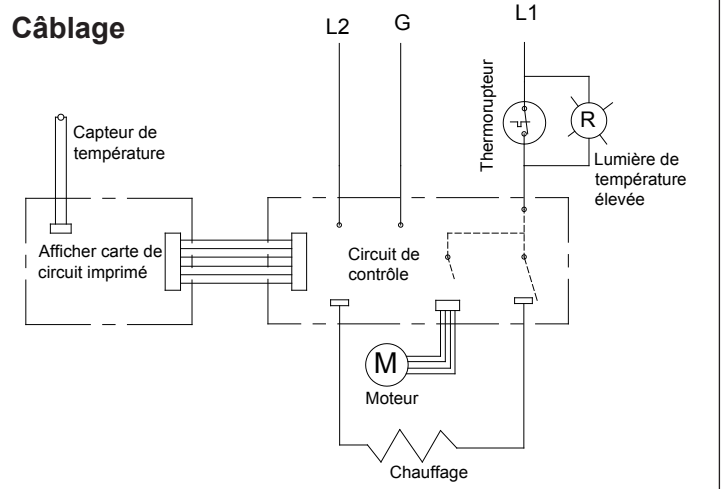
⚠ AVERTISSEMENT: Les procédures et les connexions du câblage doivent être conformes au Code national de l'électricité (CEC et NEC) et aux codes locaux.

- Insérer environ 6 po (15,2 cm) de câble d'alimentation dans le boîtier encastrable et l'acheminer jusqu'à l'ouverture à disque défonçable voulue. Utiliser un câble d'alimentation résistant à une température d'au moins 167 °F (75 °C).
- Brancher le câble d'alimentation aux bornes fournies, marquées L1 et L2. Le câble de mise à la terre doit être branché au câble vert qui se trouve à l'intérieur du chauffage.

⚠ AVERTISSEMENT: Tous les appareils sont câblés en usine en vue de leur utilisation avec le thermostat intégré. IL NE FAUT PAS UTILISER CE CHAUFFAGE AVEC UN THERMOSTAT MURAL ORDINAIRE.

- Effectuer la vérification complète et finale de tout le câblage.
- Installer le chauffage et l'accrochant aux languettes supérieures, puis en le fixant au bas à l'aide des vis fournies.
- Insérer le filtre à air par la fente inférieure, jusqu'à ce qu'il s'enclenche en place.

⚠ AVERTISSEMENT: POUR PRÉVENIR LE RISQUE D'INCENDIE ET DE BLESSURES, NE PAS FAIRE FONCTIONNER LE CHAUFFAGE TANT QU'IL N'AURA PAS ÉTÉ COMPLÈTEMENT ASSEMBLÉ..



UTILISATION

⚠ AVERTISSEMENT: Ce chauffage est câblé en usine en vue de son utilisation avec le thermostat intégré. IL NE FAUT PAS UTILISER CE CHAUFFAGE AVEC UN THERMOSTAT MURAL ORDINAIRE.

⚠ MISE EN GARDE: Ce chauffage doit être installé correctement avant son utilisation.

! NOTA: Avant de le mettre en marche, éliminer les débris causés par le montage (plâtre, sciure, etc.) à l'intérieur et à l'extérieur du chauffage.

Le PCH est un chauffage de précision à mode confort. Il maintient la température de la pièce constante en y générant une chaleur additionnelle continue qu'il souffle dans l'air selon le réglage du thermostat. Lorsque le PCH a réchauffé la pièce à la température réglée, son ventilateur et son élément chauffant **continuent de fonctionner** à un niveau bas, afin de maintenir la température voulue. Si la température de la pièce monte, p. ex., en raison des rayons du soleil qui entrent par la fenêtre, la vitesse du ventilateur et la température de l'élément chauffant seront réduites de façon à ce que la température de la pièce reste la même.

! NOTA: L'élément retenant la chaleur après l'arrêt, il est construit en période de refroidissement de 2 ½ minutes avant que le ventilateur s'éteint complètement.

⚠ AVERTISSEMENT: Si le voyant lumineux de surchauffe s'allume, couper l'alimentation électrique du chauffage et appeler un électricien qualifié. NE PAS UTILISER LE Chauffage TANT QUE LA CAUSE DU PROBLÈME N'AURA PAS ÉTÉ DÉTERMINÉE ET CORRIGÉE.

Les chauffages de Dimplex ont été conçus et testés pour un fonctionnement sans problème. Tous les chauffages de Dimplex sont munis d'un coupe-circuit thermique intégré afin de prévenir la surchauffe. Il est extrêmement important de veiller à la libre circulation d'air dans le chauffage pour assurer le fonctionnement optimal de celui-ci. La mauvaise circulation d'air pourra faire en sorte que le dispositif de protection contre la surchauffe éteigne et rallume constamment le chauffage, auquel cas le chauffage ne réchauffera pas suffisamment la pièce.

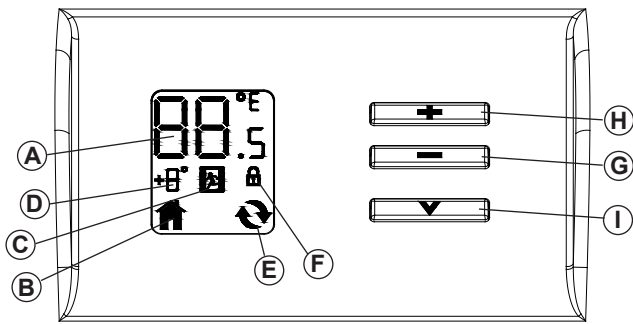
! NOTA: L'appareil est conçu pour que le ventilateur et l'élément chauffant fonctionnent continuellement. Durant le fonctionnement normal, le ventilateur devrait tourner à basse vitesse pour maintenir la température de la pièce.

Commandes manuelles

(Voir l'illustration de l'affichage à la Figure 3.)

La première fois que le PCH est alimenté en électricité, la température réglée clignote dans la zone d'affichage de la température. Vous pouvez appuyer en tout temps sur le bouton **+** ou **-** pour faire afficher de nouveau la température réglée.

Figure 3



- A - Affichage des réglages/de la température
- B - Icône du mode confort
- C - Icône du mode économie d'énergie
- D - Réglage de la température réduite
- E - Icône de synchronisation
- F - Icône de verrouillage
- G - Bouton de diminution
- H - Bouton d'augmentation
- I - Bouton du menu

A. Affichage des réglages/de la température

Le PCH est conçu pour contrôler la température d'une pièce dans une plage de 32 à 86 °F (0 à 30 °C). Appuyer sur **+** ou **-** pour augmenter ou diminuer la température voulue de la pièce par tranche de 0,5 (°F ou °C).

Après 5 secondes, la valeur de la température réglée disparaîtra et la température ambiante de la pièce s'affichera.

! NOTA: Appuyer sur les boutons **+** ou **-** en même temps pour alterner entre les degrés Celsius (°C) et Fahrenheit (°F).

B. Mode confort

L'icône du mode confort s'affiche quand le chauffage fonctionne en mode normal, selon la température réglée pour la pièce.

! NOTA: C'est soit l'icône soit l'icône qui est affichée en tout temps, selon le mode utilisé.

C. Mode économie d'énergie

Le mode économie d'énergie permet de changer la température réglée pour une période de temps déterminée par l'utilisateur. Appuyer sur le bouton **V** pour activer le mode économie d'énergie, représenté par une icône clignotante. Une fois la température réduite réglée, l'icône devient fixe après trois secondes, ce qui active la température réduite.

Pour revenir au mode confort, appuyer sur le bouton **V**. L'icône disparaîtra et l'icône apparaîtra.

C. Réglage de la température réduite

Le réglage de la température réduite est utilisé quand le mode économie d'énergie est activé. Pour régler cette température, appuyer sur le bouton **V** puis sur le bouton **+** ou **-**.

E. Icône de synchronisation

Ces appareils de chauffage sont compatibles avec les contrôleurs Dimplex CONNEX™ simple ou à multi zones pour une connectivité et un confort total de la maison. Les contrôleurs Dimplex CONNEX™ sont disponibles de contrôler un ou plusieurs chauffages de précision à mode confort unités installés dans un rayon de 50 pi (15 m). Pour que la contrôleurs CONNEX™ ait cette fonction, elle doit être synchronisée avec le PCH. Pour ce faire:

1. Appuyer sans relâcher, pendant 3 secondes, sur le bouton **V** du chauffage PCH; l'icône et l'icône se mettront à clignoter.
2. Appuyer sur les boutons **-**, **+** puis **V**, sur le chauffage PCH.

3. Dans les 10 secondes suivantes, appuyer sur n'importe quel bouton de la contrôleurs CONNEX™.

! NOTA: Il faut un délai de 3 secondes entre le moment où l'utilisateur appuie sur le dernier bouton de la contrôleurs et sur celui du chauffage PCH.

! NOTA: Pour désynchroniser un chauffage PCH et la contrôleurs CONNEX™; sur l'un ou l'autre le chauffage PCH ou la contrôleurs:

1. Appuyer sur le bouton **V** et le maintenir enfoncé pendant 3 secondes.
2. Appuyer sur les boutons **V**, **+** puis **-**.

Rien ne doit être fait à l'autre composant.

Contrôleurs Dimplex CONNEX™ simple ou à multi zones sont vendus séparément par votre dépositaire Dimplex autorisé.

Pour trouver votre revendeur Dimplex locale, visitez www.dimplex.com.

F. Icône de verrouillage

Le PCH comporte une fonction de verrouillage, qui prévient le changement accidentel des réglages.

1. Appuyer sur le bouton **V** et le maintenir enfoncé pendant 3 secondes. Les icônes et se mettront à clignoter.

2. **Pour activer la fonction de verrouillage:** À l'intérieur de 5 secondes, appuyer sur **+**, puis **-**, puis **+**, puis **-**. L'icône apparaîtra.

Pour désactiver la fonction de verrouillage: À l'intérieur de 5 secondes, appuyer sur **-**, puis **+**, puis **-**, puis **+**. L'icône disparaîtra.

! NOTA: Il est possible de verrouiller le PCH en mode confort ou économie d'énergie. S'assurer que les icônes voulues sont affichées une fois le verrouillage terminé.

Fonction de chauffage maximal

Le PCH est aussi doté d'une fonction de « chauffage maximal » qui permet de faire chauffer le chauffage à pleine capacité pendant une durée prédéterminée, afin de réchauffer rapidement une pièce/un endroit froids. Cette fonction peut être réglée pour un maximum de 20 minutes, par tranches de 5 minutes.

Pour activer la fonction de chauffage maximal:

1. Appuyer sur le bouton **+** et le maintenir enfoncé pendant 5 secondes. À l'endroit où la température est habituellement affichée, les indications « HI » et « 20 » apparaissent en alternance.

! NOTA: L'indication « 20 » correspond à la durée de fonctionnement restante (en minutes) de la fonction de chauffage maximal. La minuterie affiche le décompte : « 19 », « 18 », « 17 », etc.

2. Il est possible de ajusté la durée de fonctionnement de la fonction de chauffage maximal en appuyant sur le bouton **+** ou **-**. À chaque pression de le bouton **+** ou **-**, la durée de la minuterie est ajusté de 5 minutes. Si vous devez augmenter la durée de la minuterie, continuer à appuyer sur le bouton **+** ou **-** pour ajusté la durée à 20 minutes.
3. Lorsque la durée de la minuterie s'est écoulée, le chauffage retourne aux réglages programmés.

! NOTA: En tout temps, vous pouvez maintenir le bouton **-** enfoncé pendant 5 secondes pour désactiver la fonction de chauffage maximal.

ENTRETIEN

⚠ AVERTISSEMENT: Toujours couper l'alimentation électrique de l'appareil à l'aide du disjoncteur dans le panneau électrique avant d'effectuer toute tâche d'entretien ou de réparation.

⚠ MISE EN GARDE: Laisser à l'élément et au boîtier suffisamment de temps pour refroidir avant de procéder à l'entretien du chauffage.

Il est recommandé d'inspecter le chauffage régulièrement pour vérifier que le filtre à air et la grille de sortie d'air sont propres, afin d'assurer un rendement optimal. Pour nettoyer le filtre et la grille:

- Enlever la poussière et les saletés à l'aide d'un aspirateur; ou
- Laver le filtre dans de l'eau tiède savonneuse et le laisser sécher à fond avant de le réinstaller.

Une fois le nettoyage terminé, remettre le filtre et la grille en place, puis rétablir le courant.

! NOTA: Ne JAMAIS faire fonctionner le chauffage sans le filtre et la grille frontale en place.

Au moins une fois l'an, inspecter l'état des branchements électriques pour assurer la bonne conduction électrique et un fonctionnement optimal.

⚠ AVERTISSEMENT: L'utilisateur peut effectuer le nettoyage SEULEMENT. Toute autre tâche d'entretien doit être confiée à du personnel qualifié.

GARANTIE

Le fabricant offre une garantie de deux ans à compter de la date d'achat pour tout vice de matériaux ou de fabrication du convecteur linéaire et de ses composants, à l'exception des éléments qui sont garantis contre tout vice de matériaux et de fabrication pour une période de cinq ans. Dans le but de satisfaire à toute demande liée à la garantie, le fabricant réparera ou remplacera sans frais, en usine ou chez le client, à sa discrétion, toute pièce qu'il jugera défectueuse.

Les frais de transport et d'expédition liés à la réparation ou au remplacement n'incombent pas au fabricant, à l'exception des frais spécifiquement couverts par la garantie. Le mauvais usage ou la réparation de l'appareil par une personne autre qu'un membre du personnel autorisé par le fabricant sans l'autorisation écrite de ce dernier annulera la présente garantie.

La présente garantie remplace toute autre garantie ou condition, explicite ou tacite, y compris, sans toutefois s'y limiter, les garanties de qualité marchande ou de convenance à un usage particulier. De plus, la garantie constitue le seul recours de l'acheteur et la seule responsabilité du fabricant en ce qui concerne la vente de l'appareil, que ce soit pour une rupture de contrat, la rupture d'une condition fondamentale, une négligence ou toute autre raison.

Le fabricant ne peut être tenu responsable de dommages particuliers, indirects ou consécutifs ni de dommages résultant du retrait ou du remplacement d'un chauffage faisant l'objet d'une réclamation sous garantie sans l'autorisation du fabricant.

Cette garantie peut être transférée par l'acheteur initial du produit. Toute réclamation au titre de la présente garantie devra être soumise par écrit au directeur du service à la clientèle à : Dimplex North America Limited, 1367 Industrial Road, Cambridge, Ontario, N1R 7G8, Canada.

Pièces de rechange

Filtre	0441050100RP
Pale de ventilateur	5300270100RP
Moteur de ventilateur	2000410100RP
Carte d'alimentation	3000980100RP
Carte d'affichage	3001040100RP
Élément de 1000W	2203550100RP
Élément de 2000W	2203550200RP
Grille frontale	1024710100RP

Contrôleurs CONNEX™ 	
Contrôleur simple	DPCRWS
Contrôleur multi zones	CX-MPC

Dimplex®

1367 Industrial Road Cambridge ON Canada N1R 7G8

1-888-346-7539 www.dimplex.com

Conformément à notre politique visant à améliorer sans cesse nos produits, nous nous réservons le droit d'effectuer des modifications sans préavis.

© 2012 Dimplex North America Limited



⚠ INSTRUCCIONES IMPORTANTES

Cuando utilice aparatos eléctricos, siempre siga las precauciones básicas para reducir los riesgos de incendio, descargas eléctricas y lesiones físicas, que incluyen las siguientes:

1. Lea todas las instrucciones antes de usar este calentador.
2. Los procedimientos de cableado y conexiones deben realizarse de acuerdo con el Código eléctrico nacional (NEC & CEC) y códigos locales.
3. Tenga más precaución cuando se use cualquier calentador de aire cerca de niños o personas discapacitadas, o bien si ellos lo manejan, y siempre que se deje la unidad de aire en funcionamiento y sin vigilancia.
4. No utilice ningún calentador si falla. Desconecte la energía en el panel de servicio y tienen calefacción inspeccionado por un electricista certificado antes de usarlas.
5. Para desconectar el calentador, apague circuito del calentador en el panel principal de desconexión.
6. Use este calentador sólo como se describe en este manual. Cualquier otro uso no recomendado por el fabricante puede causar incendio, choque eléctrico o lesiones a personas.
7. El calentador contiene piezas calientes que provocan chispas o arcos eléctricos. No lo use en áreas donde almacene o utilice gasolina, pintura o líquidos inflamables.
8. Este calentador se calienta cuando se utiliza. Para evitar quemaduras, no toque las superficies calientes sin protección alguna. Mantenga los materiales combustibles como mobiliario, almohadas, ropa de cama, papeles, ropa y cortinas, alejados del calentador.
9. Para evitar cualquier posible incendio, no bloquee la entrada ni la salida de aire bajo ninguna circunstancia. No use el aparato sobre superficies blandas, como en una cama, ya que se pueden obstruir las aperturas.
10. No introduzca ni deje que entren objetos extraños en los orificios de ventilación o escape, ya que esto podría provocar una descarga eléctrica o un incendio, o bien dañar el calentador.

! NOTA: Este equipo ha sido probado y se ha determinado que cumple con los límites para los dispositivos digitales de Clase B, de conformidad con la parte 15 de la reglamentación de la Comisión Federal de Comunicaciones (Federal Communication Commission, FCC). Estos límites están diseñados para brindar protección razonable contra interferencia perjudicial en una instalación residencial. Este equipo genera, utiliza y puede irradiar energía de radiofrecuencia, y, si no está instalado y no se usa de acuerdo con las instrucciones, puede provocar interferencia perjudicial en las radiocomunicaciones. Sin embargo, no hay garantía de que no ocurra interferencia en una instalación en particular. Si este equipo ocasionara interferencias perjudiciales en la recepción de radio o televisión, apague el equipo y enciéndalo nuevamente. El usuario puede intentar corregir la interferencia a través de las medidas siguientes:

- Reoriente o reubique la antena receptora.
- Aumente la distancia entre el equipo y el receptor.
- Conecte el equipo a un tomacorriente de un circuito que no sea el circuito al cual está conectado el receptor.
- Si necesita ayuda, consulte con el distribuidor o con un técnico de radio/televisión con experiencia.

Este aparato cumple con la sección 15 del Reglamento FCC. El funcionamiento está sujeto a las dos condiciones siguientes: (1) Este dispositivo puede no provocar interferencia perjudicial, y (2) este dispositivo debe aceptar cualquier interferencia recibida, incluida la interferencia que pueda provocar el funcionamiento del dispositivo de manera no deseada.

⚠ PRECAUCIONES DE LA FCC: Cualquier cambio o modificación no aprobados por la parte responsable del cumplimiento podrían anular la autoridad del usuario de utilizar este equipo.

Este dispositivo cumple con Industria Canada sin licencia de los estándares de la RSS. El funcionamiento está sujeto a las dos condiciones siguientes: (1) este dispositivo no puede provocar interferencia, y (2) este dispositivo debe aceptar cualquier interferencia, incluida la interferencia que puede provocar el funcionamiento del dispositivo de manera no deseada.

GUARDE ESTAS INSTRUCCIONES

✂ INSTRUCCIONES DE INSTALACIÓN

⚠ PRECAUCIÓN: Los muebles/objetos frente al calentador deben colocarse a no menos de 3 pies (91cm) de distancia del mismo. Asegúrese de que la entrada y la parte inferior del calentador no estén obstruidas para permitir un flujo de aire adecuado en la unidad.

1. Desempaque el calentador.
2. Determine la altura correcta para montar el calentador. La parte inferior del calentador debe montarse, por lo menos, a 8 pulgadas (20.3 cm) del piso. La caja de empotrar está diseñada para montarla entre dos tacos en la pared.
3. La caja de empotrar requiere de una apertura en la pared de 13.5 pulgadas (34.5 cm) de altura por 8 3/8 pulgadas (21.5 cm) de ancho (vea la Figura 1). La profundidad de la apertura debe ser de al menos 3 3/4 pulgadas (9.5 cm), medido desde el acabado de la superficie de la pared.

! NOTA: Los laterales de la caja de empotrar están marcados para permitir un grosor de 1/2 y 5/8 pulgadas en el muro en seco. Instale la caja de empotrar antes de instalar el muro en seco, cuando se instala la caja empotrada antes de instalar paneles de yeso, utilice las directrices detalladas para montar la caja en la profundidad adecuada para el espesor de pared seca, y la instalación de la rejilla adecuada.

4. Retire el troquel eléctrico adecuado y asegure el cable de alimentación usando un conector para aliviar la tensión, dejando 6 pulgadas (15.2 cm) de cable en la caja de empotrar. (Figura 1)

! NOTA: Únicamente es necesario retirar el troquel que abastecerá el cable de suministro, teniendo en cuenta dónde se van a montar tanto el calentador como el cable de alimentación en la pared.

5. La caja de empotrar puede asegurarse usando las bridas frontales ubicadas en la parte superior e inferior o desde la parte interior hacia los tacos. Asegúrese de que la caja de empotrar esté orientada de manera que los troqueles estén situados en la parte inferior y las pestañas estén niveladas con la pared terminada.
6. Proceda con las instrucciones de cableado.

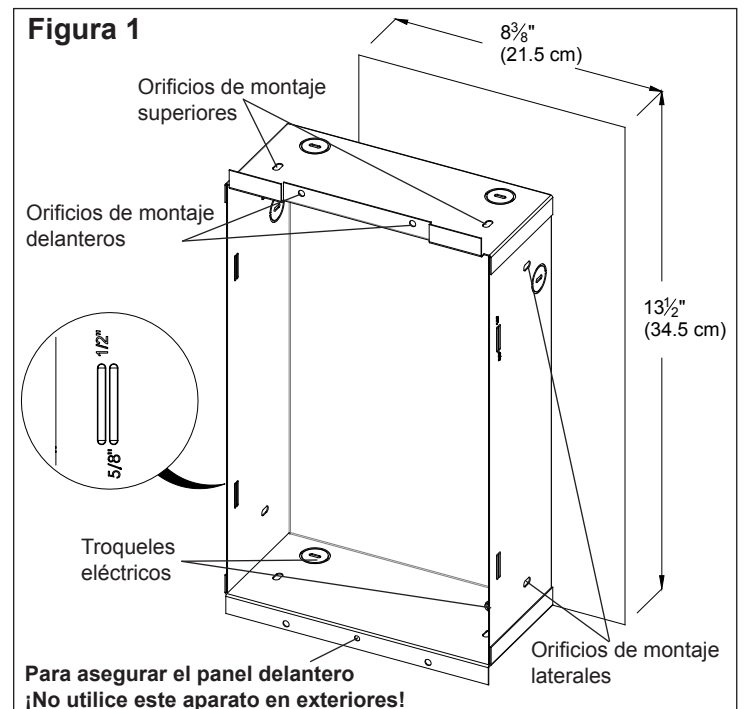
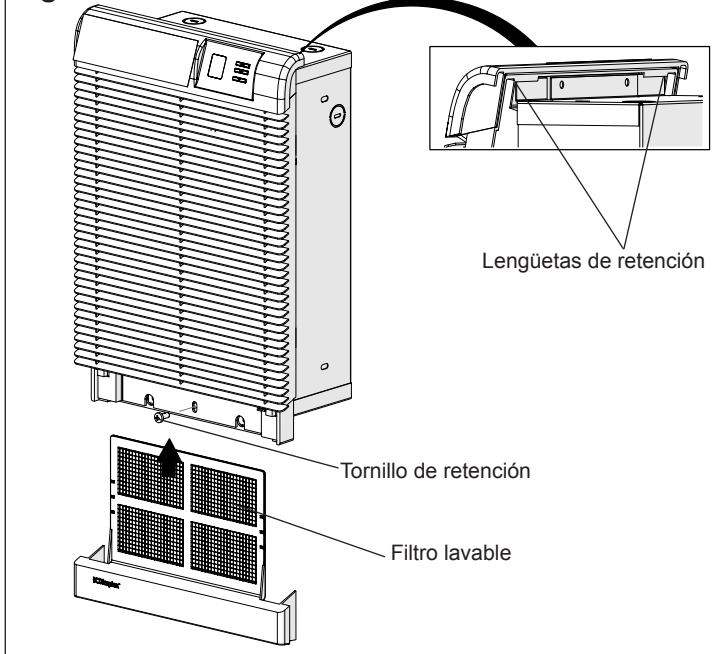


Figura 2



Cableado de abastecimiento e instalación del calentador

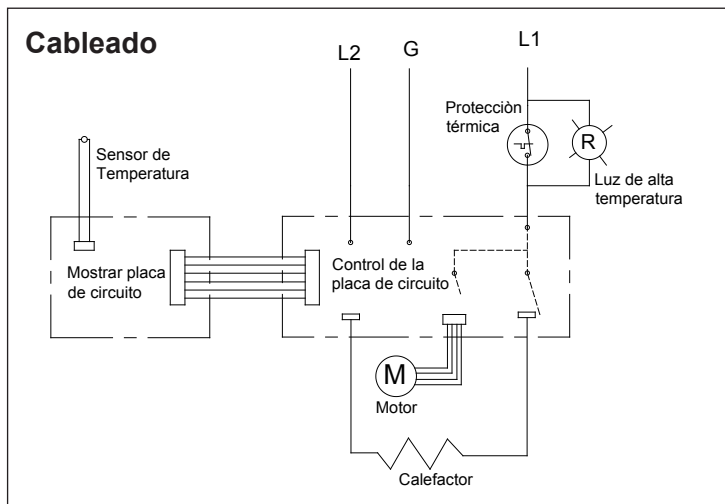
ADVERTENCIA: Los procedimientos para el cableado y las conexiones deben respetar el Código eléctrico nacional (NEC y CEC) y los códigos locales.

1. Inserte aproximadamente 6 pulgadas (15.2 cm) de cable de alimentación eléctrica a la caja de empotrar a través del troquel deseado. El cable deberá contar con una capacidad de temperatura mínima de 75°C (167°F).
2. Conecte el cable de alimentación a las terminales proporcionadas marcadas L1 y L2. El cable a tierra deberá asegurarse al cable verde incluido en el ensamblaje del calentador.

ADVERTENCIA: Todas las unidades ya vienen cableadas de fábrica para su operación con un termostato integrado. ESTE CALENTADOR NO DEBE USARSE CON UN TERMOSTATO NORMAL DE PARED.

3. Haga una última y detallada revisión de todo el cableado.
4. Fije el calentador colgándolo en las pestañas superiores, después, asegúrelo en la parte inferior con ayuda del tornillo que se incluye.
5. Inserte el filtro de aire en la ranura inferior hasta que se oiga un chasquido.

ADVERTENCIA: PARA PREVENIR EL RIESGO DE FUEGO O LESIONES, NO OPERE EL CALENTADOR HASTA QUE ESTÉ COMPLETAMENTE INSTALADO.



FUNCIONAMIENTO

ADVERTENCIA: Todas las unidades ya vienen cableadas de fábrica para su operación con un termostato integrado. ESTE CALENTADOR NO DEBE UTILIZARSE CON UN TERMOSTATO NORMAL DE PARED.

PRECAUCIÓN: Este calentador debe instalarse adecuadamente antes de usarse.

NOTA: Antes de encenderlo, elimine cualquier suciedad de construcción (yeso, aserrín, etc.) del interior y exterior del calentador.

El modelo PCH es un calentador para confort con precisión que mantiene una temperatura constante a través de una continua adición de calor al soplar aire en la habitación de acuerdo a la configuración del termostato. El calentador PCH opera de tal manera que cuando la habitación alcanza la temperatura establecida, el ventilador y calentador **seguirán operando** a un nivel bajo para mantener la temperatura deseada de la habitación. Si la temperatura de la habitación sube, ya sea con el sol que entra por la ventana, el ventilador operará más lento y la temperatura del calentador se reducirá para que la temperatura de la habitación continúe siendo la misma.

NOTA: El elemento retiene el calor después de la parada, hay una construida en el período de enfriamiento de 2 ½ minutos antes de que el ventilador se apaga por completo.

ADVERTENCIA: Si la luz de sobrecalentado se enciende, desconecte el calentador y llame a un eléctrico autorizado. NO UTILICE EL CALENTADOR HASTA QUE LA CAUSA DEL PROBLEMA SE DETERMINE Y ARREGLE.

Los calentadores Dimplex están diseñados y probados para una operación segura y sin problemas. Todos los calentadores Dimplex están protegidos contra sobrecalentamiento por un interruptor térmico integrado. Es muy importante que el calentador cuente con un flujo de aire adecuado para una operación óptima. Si se obstruye el flujo de aire, el protector de sobrecarga térmico puede ocasionar que el calentador alterne entre los modos de encendido y apagado. Un calentador que se encienda y apague no abastecerá suficiente calor a la habitación.

NOTA: La unidad está diseñada para que el ventilador y calentador operen continuamente. Durante una operación normal, el ventilador debe operar a una velocidad lenta para mantener la temperatura de la habitación.

Controles manuales

(Consulte la Figura 3 como referencia)

Cuando se encienda el calentador PCH por primera vez, la temperatura establecida parpadeará en el área de la pantalla de la temperatura. Puede presionar el botón **+** o el **-** en cualquier momento para consultar la temperatura establecida.

A. Pantalla de configuración/temperatura 88.5

El calentador PCH está diseñado para mantener la temperatura de una habitación entre 32-86°F (0-30°C). Al presionar el **+** o **-** aumentará o disminuirá la temperatura deseada de la habitación para calentar por 0.5° (ya sea en °C o °F).

Después de 5 segundos, la temperatura establecida cambiará para mostrar la temperatura ambiente en la habitación.

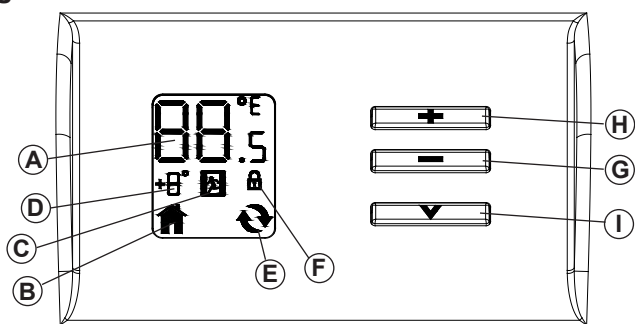
NOTA: Al presionar **+** y **-**, al mismo tiempo, alternará entre °C a °F.

B. Ajustes de confort

El icono de ajustes de confort se mostrará cuando el calentador esté en una operación normal de acuerdo con la temperatura establecida para la habitación.

NOTA: El icono o siempre estarán visibles, dependiendo de la configuración establecida.



Figura 3



- A - Configuración/ Pantalla de Temperatura
- B - Ícono de Ajustes de confort
- C - Ícono de Ajustes de ahorro
- D - Configuración de la temperatura de reducción automática
- E - Ícono sincronizado
- F - Ícono de bloqueo
- G - Botón de disminución
- H - Botón de Aumento
- I - Botón de Menú

C. Ajustes de ahorro

El ajuste de ahorro se puede utilizar para cambiar la temperatura establecida por un periodo de tiempo determinado por el usuario. Al presionar el botón **V**, los ajustes de ahorro se activarán - representado por un ícono parpadeante. Una vez que se establezca la reducción automática de temperatura, el ícono dejará de parpadear después de 3 segundos y la reducción de temperatura automática se activará.



Para regresar a la configuración de Confort, presione el botón **V**. El ícono  desaparecerá y aparecerá el ícono .

C. Configuración de la temperatura de reducción automática

La configuración de la temperatura de reducción automática se utiliza durante los periodos cuando la modalidad de configuración esté activa. Este ajuste de temperatura puede establecerse presionando el botón **V** seguido del **+** o **-**.

E. Ícono sincronizado

Los calentadores incluyen CONNEX™ tecnología inalámbrica compatible con controladores Dimplex para una o varias zonas para proporcionar conectividad y confort para toda la casa. Controladores CONNEX™ para controlar uno o varios calentadores para confort con precisión dentro de un radio 50 pies (15 m). Para que el controladores de pared cuente con esta función, el calentador PCH y controladores de pared necesitan estar sincronizados. Para hacer esto:

1. En el calentador PCH, mantenga presionado el botón **V** durante 3 segundos, ambos íconos  y  comenzarán a parpadear.
2. Presione **-**, **+** y después el botón **V**, en el calentador PCH.
3. 10 segundos después, presione cualquier botón del Controladores CONNEX™ una sola vez.

! NOTA: Hay un retraso de 3 segundos entre presionar el último botón en el controladores y el calentador de PCH.

! NOTA: Para desincronizar un calentador PCH y del Controladores CONNEX™ sincronizado; en en cualquiera de calentador PCH o el controladores:

1. Mantenga presionado el botón **V** durante 3 segundos.
2. Presione el botón **V**, **+** y después **-**.

Nada tendrá que hacerse para el otro componente.





Controladores Dimplex para una o varias zonas se encuentran disponibles para la compra por separado en su distribuidor

autorizado de Dimplex.

Para encontrar su distribuidor local de Dimplex, visite www.dimplex.com.

F. Ícono de bloqueo

El calentador PCH cuenta con un botón de bloqueo para prevenir que la configuración se cambie accidentalmente.

1. Mantenga presionado el botón **V** durante 3 segundos. Ambos íconos,  y  comenzarán a parpadear.
2. **Para activar:** En 5 segundos presione **+**, después **-**, luego **+**, y por último **-**. Ahora, el ícono  será visible.
Para desactivar: En 5 segundos presione **-**, después **+**, luego **-**, y por último **+**. Ahora, el ícono  será invisible

! NOTA: Se pueden bloquear las configuraciones de confort y ahorro del calentador PCH. Asegúrese de que los íconos deseados estén presentes cuando se complete el bloqueo.

Función de refuerzo (Boost)

El calentador PCH también está equipado con una "Función de refuerzo" la cual permite al usuario activar la unidad a la temperatura más alta durante un tiempo predeterminado para calentar o enfriar la habitación rápidamente. El refuerzo puede ajustarse para que funcione durante un máximo de 20 minutos, con aumentos de 5 minutos.

Para activar el refuerzo:

1. Mantenga presionado **+** durante 5 segundos. El área donde normalmente se muestra la temperatura empezará a alternar entre la pantalla de "HI" y "20".
2. Se puede ajustar el periodo de activación del modo refuerzo al presionar el botón **+** o **-**. Cada vez que se presiona el botón **+** o **-**, el temporizador ajustar 5 minutos. Si necesita ajustar el ajuste del temporizador, puede continuar presionando el botón **+** o **-** y éste regresará a 20 minutos.
3. Cuando se termine el tiempo del temporizador, el calentador regresará a la configuración programada.

! NOTA: Puede presionar, en cualquier momento, el botón **-** durante 5 segundos para salir de la función de refuerzo.

MANTENIMIENTO

⚠ ADVERTENCIA: Siempre desconecte la toma de corriente desde el disyuntor a la unidad antes de realizar cualquier operación de mantenimiento o servicio.

⚠ PRECAUCIÓN: Espere el tiempo suficiente para que el elemento y la caja se enfríen antes de trabajar en el calentador.

Se aconseja inspeccionar calentador de manera regular, para limpiar el filtro de aire y la rejilla del ventilador de escape y así asegurar un rendimiento óptimo. Para limpiar el filtro y la rejilla:

- Aspire todo el polvo y tierra o,
- Lave el filtro con agua tibia con jabón, espere hasta que esté seco antes de instalarlo otra vez.

Una vez que esté limpio, reemplace la rejilla y el filtro y vuelva a conectarlo.

! NOTA: NUNCA opere el calentador sin que el filtro o la rejilla delantera estén colocados en su lugar.

Se debe inspeccionar la condición de la conexión de los cables por lo menos una vez al año para asegurar una continuidad eléctrica y se mantenga un rendimiento óptimo.

⚠ ADVERTENCIA: El usuario SÓLO puede llevar a cabo la limpieza del aparato. Cualquier otro tipo de mantenimiento debe ser efectuado por personal de mantenimiento calificado.

GARANTÍA

El fabricante garantiza el convector lineal y los componentes del producto que se adjunta contra cualquier defecto de materiales o fabricación durante un período de dos años a partir de la fecha de compra, con la excepción de los elementos, que se garantizan libres de defectos de materiales y fabricación durante cinco años. En plena satisfacción de cualquier reclamación en virtud de esta Garantía, el Fabricante reparará o reemplazará, sin cargo alguno, en su fábrica o en el sitio, según decida por sí solo, cualquier pieza defectuosa a su juicio.

El Fabricante no se hará responsable de ningún costo de transporte ni de envío en relación con dicha reparación o reemplazo, salvo que él lo haya asumido específicamente. El uso indebido de este producto o las reparaciones realizadas por personas que no sean personal autorizado del Fabricante sin la autorización escrita del Fabricante anularán esta Garantía.

Esta garantía sustituye todas las otras garantías o condiciones, ya sean expresas o implícitas, por ejemplo, las de comerciabilidad o de adecuación a un fin particular, y constituirá el recurso exclusivo del comprador y la responsabilidad exclusiva del fabricante con respecto a la venta del producto, ya sea en el caso donde medie una situación de incumplimiento o de incumplimiento de una cláusula fundamental, o con respecto a una situación de negligencia o de otro tipo.

El Fabricante no será responsable de ningún daño especial indirecto ni mediato, ni de ningún daño producido como consecuencia de la remoción o del reemplazo de un calentador de aire sujeto a una reclamación de garantía sin la autorización del Fabricante.

Esta Garantía es transferible por parte del comprador original del producto. Cualquier reclamación en virtud de esta Garantía debe enviarse por escrito a: Service Manager, Dimplex North America Ltd., 1367 Industrial Rd., Cambridge, Ontario, N1R 7G8, Canadá.

Piezas de reemplazo

Filtro	0441050100RP
Aspa del ventilador	5300270100RP
Motor del ventilador	2000410100RP
Toma corriente múltiple	3000980100RP
Pantalla	3001040100RP
1000W Elemento	2203550100RP
2000W Elemento	2203550200RP
Rejilla delantera	1024710100RP

Controladores CONNEX™ 

Único controlador DPCRWS

Multizona controlador CX-MPC

Dimplex®

1367 Industrial Road Cambridge ON Canada N1R 7G8

1-888-346-7539 www.dimplex.com

Para mantener nuestra política de mejora continua del producto, nos reservamos el derecho de hacer cambios sin notificación previa.

© 2012 Dimplex North America Limited

