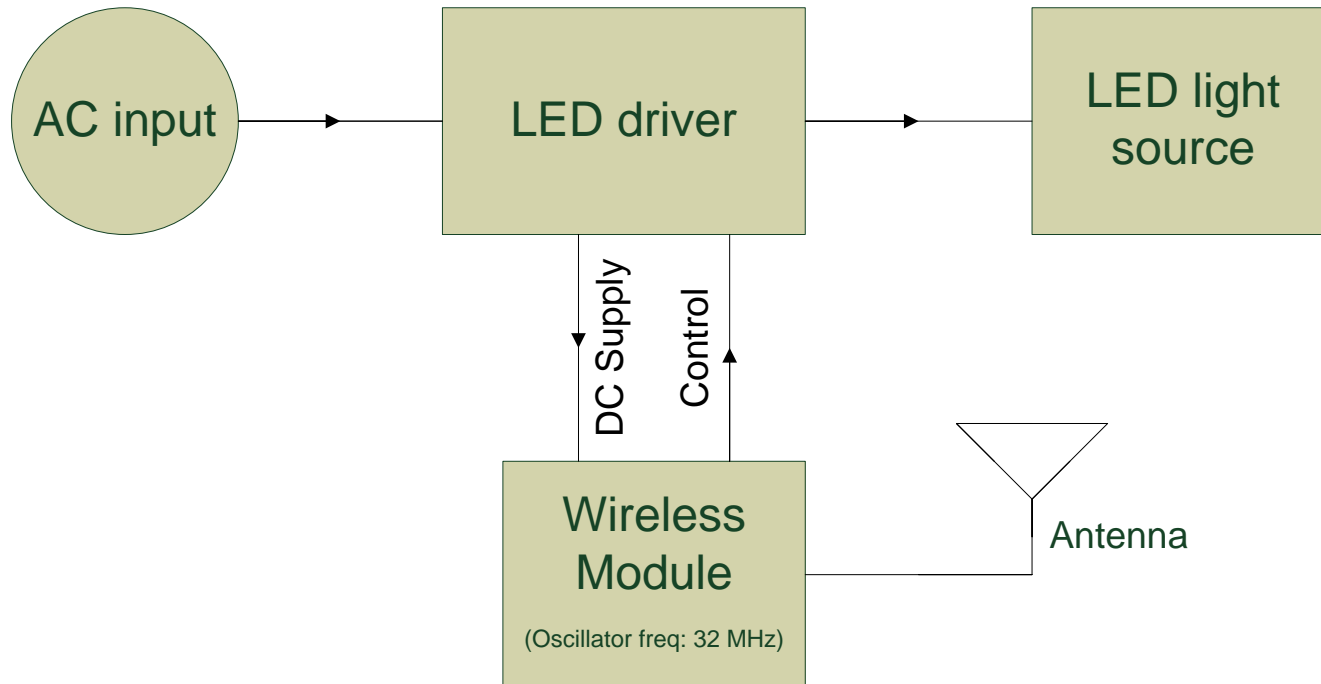


Connected Light Device Block Diagram



Model: LA191-0470IA-JNW1
FCC ID: Z3M-GLA19147IAJNW