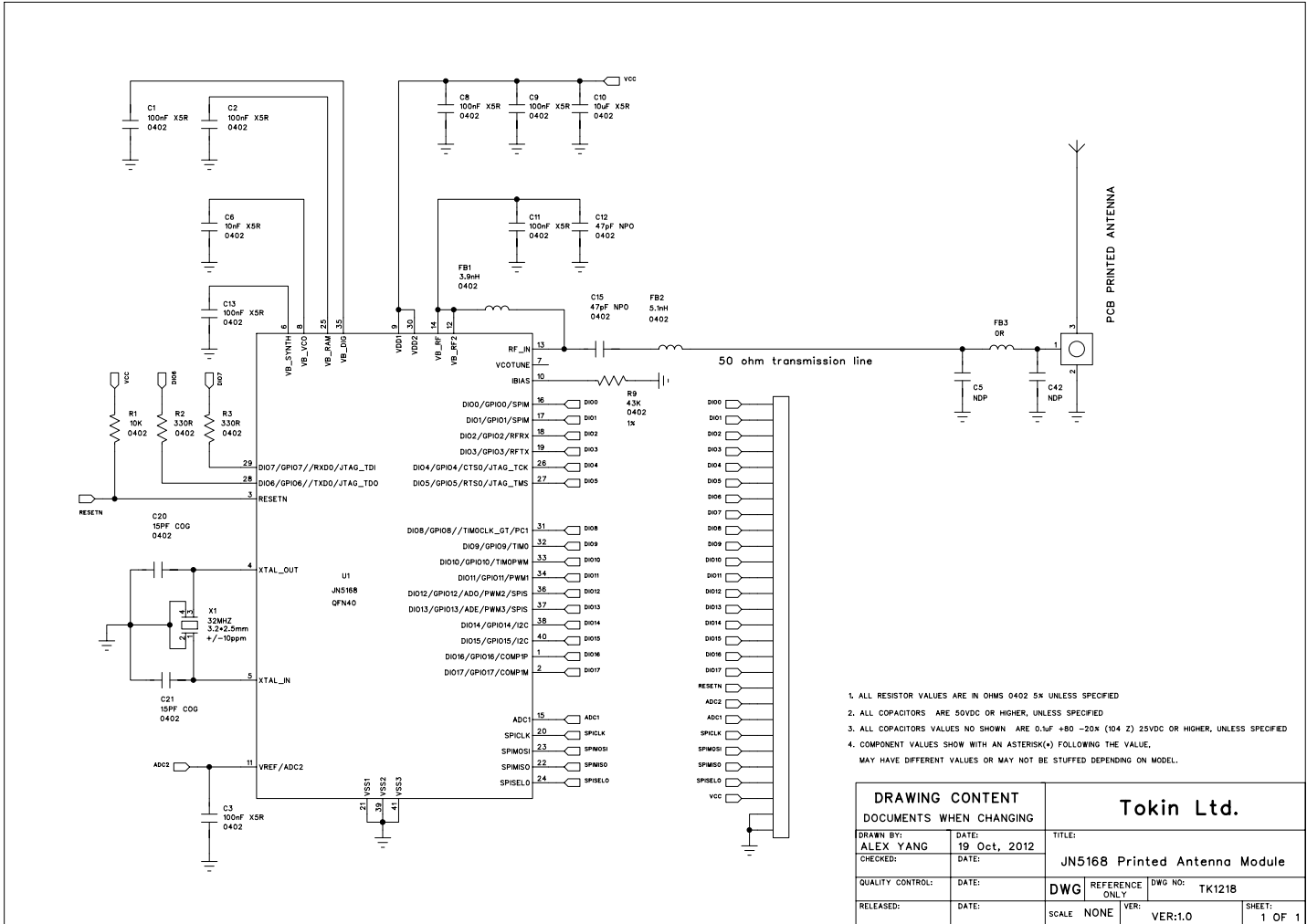


Title		
Size	Number	Revision
B		
Date:	2013-1-10	Sheet of
File:	C:\Documents and Settings\Remote 2013-1-10	10 of 10



1. ALL RESISTOR VALUES ARE IN OHMS 0402 5% UNLESS SPECIFIED
2. ALL CAPACITORS ARE 50VDC OR HIGHER, UNLESS SPECIFIED
3. ALL CAPACITORS VALUES NOT SHOWN ARE 0.1uF +80 -20% (104 Z) 25VDC OR HIGHER, UNLESS SPECIFIED
4. COMPONENT VALUES SHOW WITH AN ASTERISK(*) FOLLOWING THE VALUE, MAY HAVE DIFFERENT VALUES OR MAY NOT BE STUFFED DEPENDING ON MODEL.

DRAWING CONTENT		Token Ltd.	
DOCUMENTS WHEN CHANGING			
DRAWN BY: ALEX YANG	DATE: 19 Oct, 2012	TITLE: JN5168 Printed Antenna Module	
CHECKED:	DATE:	DWG REFERENCE ONLY	
QUALITY CONTROL:	DATE:	DWG NO: TK1218	SHEET: 1 OF 1
RELEASED:	DATE:	SCALE: NONE	VER: VER:1.0