

Antenna Spec

Antenna Type: core Antenna

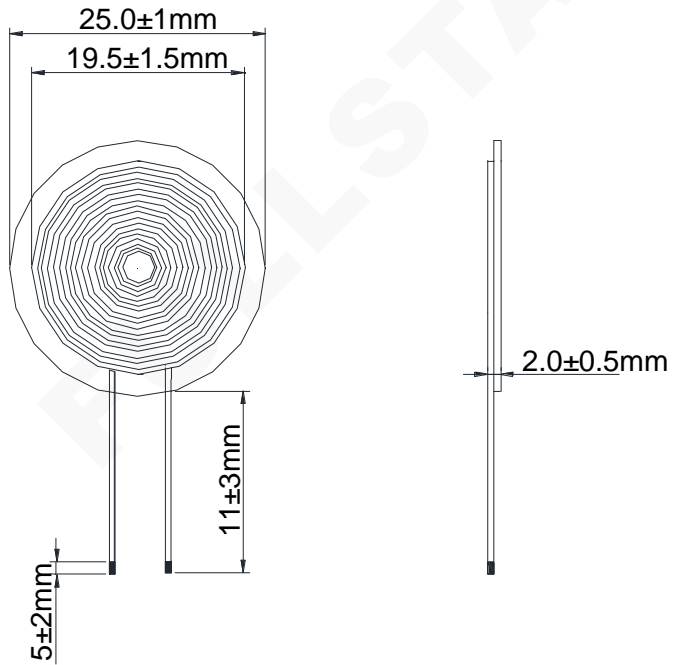
Antenna Gain: 0 dBi

Brand / Model: FULLSTAR / LAC2025-130Y

Manufacturer Nema: SHAANXI FULLSTAR ELECTRONICS CO., LTD

Manufacturer Address: NO.10 Fengcheng Road, Economic Development Zone ,
Xi'an Shaanxi, China 710016

1.OUTLINE DIMENSIONS(Unit:mm)



NOTE:The core is reinforced with glue

2.ELECTRONICAL REQUIREMENTS

NO	TEST ITEM	SPECIFICATION	CONDITION
1	Inductance	$13.5 \mu\text{H} \pm 10\%$	1KHz/0.3V
2	TURNS	29T	
3	WIRE	2UEW 0.08mm*24	

3.MATERIAL LIST

No	Part name	Model number	Manufacturer	UI
1	Core	25*1.0mm	CHANGSHU CHANGDA MAGNETIC INDUSTRY CO.,LTD OR EQU.	/
2	Wire	Cooper Wire 2UEW (B)	ZHEJIANG HONGBO TECHNOLOGY CO LTD OR EQU.	E221719

NOTES:
Temp 20℃ 48%RH
RoHS Compliant

NAME	TOROIDAL INDUCTOR		
CUSTOMER P/N	TDK WT242490-30F2-G	Date	2023-6-16
FULLSTAR P/N	LAC2025-130Y	Rev.	Page 1/1
Drawn. by	:MingYue Ma	Checked. by	:Zhi Xin Pu
		Approve. by	:Jie Sun

Drawing changes	Rev.	
	Rev.	