

"Made for iPod", "Made for iPhone", "Made for iPad" means that an electronic accessory has been designed to connect specifically to iPhone and has been certified by the developer to meet Apple performance standards. Apple is not responsible for the operation of this device or its compliance with safety and regulatory standards." Please note that the use of this accessory with iPod, iPhone or iPad may affect wireless performance.

## Warning:

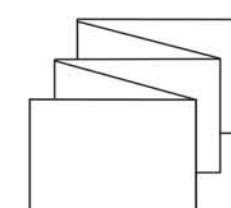
- Please read carefully the complete user manual before playing and strictly follow the instructions given.
- Not suitable for children under 14 years old due to the danger of breaking off and choking hazard of small parts.
- Any kind of adjustment and/or operation must be strictly followed by this manual. Make sure you are not closed to or touch the car when you are playing.
- Disassemble or rework on the car is prohibited as this may cause damage.

02

## Packing content



1:14 Licensed BMW X6 vehicle



User manual

## Pre-work for playing

### I. Download iOS car APP

Please download the free iOS Car APP "Weccan-BT Heli" to your Apple device (iPod touch, iPhone, iPad 2 etc.) by searching for "Weccan" on App Store.

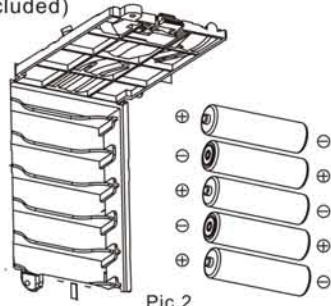
**Note:** System requirements: iOS4.0 or later.



03

## II. Battery Install for iOS car

- 1.The iOS car is required for 5x1.5"AA" size batteries.(Non-included)
  - 2.Ensure the car is switched "OFF"
  - 3.Press down the button on battery compartment cover,and then follow the arrow direction to push out the battery compartment cover.
  - 4.Install 4pcs "AA" batteries with correct polarity,refer to the pic.2
  - 5.Close the battery compartment cover.
  - 6.You are now ready for playing.
- Note:** 1)For the iOS car,best and maximum performance can be only obtained by new and alkaline batteries.  
2)Always remove the batteries from the iOS car when it is not being used for a long period of time.



Pic.2

## Battery warnings:

- Non-rechargeable batteries are not to be charged.
- Rechargeable batteries are only to be charged under adults' supervision.
- Different types of batteries or new and used batteries are not to be mixed.
- Only batteries of the same or equivalent type as recommended are to be used.
- Batteries are to be inserted with correct polarity.
- Exhausted batteries are to be removed from the toy.

04

- The supply terminals are not to be short-circuited.
- Do not mixed old and new batteries.
- Do not mixed alkaline,standard(carbon-zinc) or rechargeable(nickel-cadmium)Batteries.

## Pairing & Connecting

- 1) Power on the iOS Car (pic.1)
- 2)Setting bluetooth on your Apple device:  
Select Setting menu---General---Bluetooth---Turn on
- 3)Pairing the Apple device to iOS Car
- 4)On your Apple device it will show that iOS car (iCess BMW) want to pair with your apple device, please select "Yes"
- 5)Pairing success
- 6)Connected
- 7) Following the APP instruction to play with iOS car.



Pic.1



Pic.2

## Application setting

Set the application by "OPTIONS" menu.(Pic.2)  
I. Music: Turn on or Turn off the music  
II. Audio: Adjust the sound volume  
III. Background: different APP background for option

05

## Playing your iOS Car

After the bluetooth has connected successfully, come into your APP by selecting "play" then by selecting "next" to start your game, you will have 2 different playing experiences by 2 different control mode:.

### I.Motion control

- 1)Click "start"
- 2)Forward/Backward: Apple device lean forward/backward.(pic.1/2)
- 3)Left/Right: Apple device lean left/right(pic.3/4)
- 4)Stop: Touch "stop" button on the up-right corner of the APP.(pic.5)



Pic.1



Pic.2



Pic.3



Pic.4



Pic.5

### II : Joystick control

- 1)Forward/Backward: Touch and slide forward/backward on the left column button(pic.1/2)
- 2)Left/Right: Touch and slide leftward/rightward on the right column button(pic.3/4)
- 3)Stop: Touch "stop" button on up- right corner .(pic.5)

06

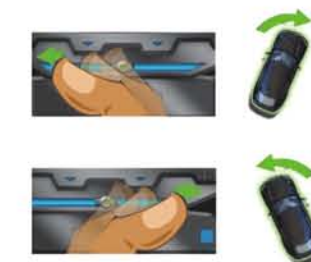


## Trimming your iOS Car

The trimmer will allow you to adjust the directions of the car and erase any unexpected turning tendencies.

If the car spins, you need to use the TRIM control to adjust the running.

- 1)Turn the TRIM to the left if the car spins right.
- 2)Turn the TRIM to the right if the car spins left.



## Additional function

ON the bottom of the APP you will find the following additional function:  
1) Setting:  
SPEED: adjust speed



07

- Music: Off/On music  
Audio: Adjust the music volume
- 2)Replay: Can replay the playing route saved
  - 3)Record: Record your best playing routes
  - 4)Share: Share you happiness by Facebook, Twitter, Email



## Product Specification

Control distance: 10m  
Battery type: 4xAA alkaline batteries  
Function: Forward/Backward, Turn Left/Right,Stop.

## Trouble Diagnoses

Problem	Cause	Solution
Low power of Apple device	Apple device is short of power	Fully charge the Apple device
No power of the car	The alkaline batteries inside the car were lower/no power	Change into new batteries(if for rechargeable batteries,charging it)

08

The car does not work	Bluetooth on Apple device is not ON	Turn ON the Bluetooth connection on your Apple device
	Batteries are not installed correctly	Check the batteries polarity and connection
The car is moving slowly	No power of the Apple device or car	Charging your Apple device or car
	Out of transmission range	The iOS Car has a transmission range of 10 meters in open space
	Batteries were not fully charged	Recharge the rechargeable batteries or change into new batteries
The car spins	Hair,carpet or dirt might be trapped between wheels	Carefully remove the unexpected materials
	Trimming adjustment	See 'Trimming picture' on Instruction manual section
Bluetooth connection unsuccessfully	Other bluetooth device connected	Disconnect other bluetooth device and try again

## Driving Tips:

- 1.Only operate the vehicle on flat,smooth(but not slippery) and dry surfaces or low pile carpets. Hair carpet or dirt can affect the operation of the vehicle.

09

- 2.Do not drive the vehicle on sand or through water or snow. If your vehicle gets wet,wipe it with a towel and allow it to dry completely.
- 3.Do not operate near concrete walls which may disturb bluetooth transmission.

## Use and Maintenance

- Do not play the product in a brutal way such as throwing, crashing or twisting it.
- Never disassemble the car.
- Do not leave the product in a humid environment for a long time.
- Make sure your hands are dry before touching.
- Do not use the product when it was already broken or damaged.
- Do not operate the product when there are obstacles around.

The Packaging color box of the car should be kept properly for storage after each using.  
**Notes:** Improper storage of the car may lead to the battery loss. This will decrease the playing performance and working time.

We decline the responsibility for any possible omission or typing of mistake of this manual and its annex. The user is responsible for any risk arising from the use of these information.

We decline responsibility for any direct, consequential, accidental, particular, moral or any other kind of damaged caused by in-observance of information in the manual.

Contents of this manual can change without notice

10



## WEEE Directive & Product Disposal

At the end of its serviceable life, this product should not be treated as household or general waste. It should be handed over to the applicable collection point for the recycling of electrical and electronics equipment, or returned to the supplier for disposal.

This device complies with part 15 of the FCC Rules. Operation is subject to the following two conditions: (1) This device may not cause harmful interference, and (2) this device must accept any interference received, including interference that may cause undesired operation.

Any Changes or modifications not expressly approved by the party responsible for compliance could void the user's authority to operate the equipment.

## FCC Radiation Exposure Statement

This equipment complies with FCC RF Radiation Exposure limits set forth for an uncontrolled environment. This equipment should be installed and operated with a minimum distance of 20 centimeters between radiator and your body.

## Internal/Supplied Batteries

This symbol on the battery indicates that the battery is to be collected separately. This battery is designed for separate collection at an appropriate collection point.

11

## iCess Labs Inc.

719 N. Shoreline Blvd. Mountain View, CA 94043  
www.iceslabs.com



## User Manual

iCess iOS Licensed Car  
iOS Car: RC Licensed Car BMW(1/14)  
controlled by iPod, iPhone, iPad via Bluetooth

