

# Griffon Pro

2.4G RC DRONE WITH WIFI CAMERA



**User's Guide for Model DRW618 v2171-01**

# Warnings & Precautions

## Important Safety Instructions

- Read and follow all instructions.
- Keep these instructions for future reference.
- Heed all Warnings.
- Intended for children ages 14 and higher. Adult supervision is required.
- Only use attachments/accessories specified by the manufacturer.
- Before flying, always check the body, rotors, and battery for any damage or obstructions.
- Battery should be free from cracks or swelling.
- Keep the rotors clear of any obstructions and body parts to avoid potential damage and injury.
- Manufacturer and dealer assume no liability for accidental damages from improper use or installation of parts, or from damage incurred from worn or broken parts.
- Pilots are responsible for their actions and any damage caused from improper use.
- Pilots should keep the craft in sight at all times during flight. If you lose sight of the craft at any time, power down and cease flight immediately.
- Only fly in large, open areas that are free from obstacles or potential hazards, such as trees, power lines, ceiling fans, and the like.
- Flying over bodies of water is not recommended.
- Flying at night is not recommended.
- Never try to retrieve the craft from areas you cannot safely reach, such as rooftops or trees.
- Never launch the craft from your hand.
- Never leave the craft unattended while it is powered on or while the battery is charging.

## FCC Warnings

Warning: Changes or modifications to this unit not expressly approved by the party responsible for compliance could void the user's authority to operate the equipment.

This device complies with Part 15 of the FCC Rules. Operation is subject to the following two conditions: (1) this device may not cause harmful interference, and (2) this device must accept any interference received, including interference that may cause undesired operation.

NOTE: This equipment has been tested and found to comply with the limits for a Class B digital device, pursuant to Part 15 of the FCC Rules. These limits are designed to provide reasonable protection against harmful interference in a residential installation. This equipment generates, uses, and can radiate radio frequency energy and, if not installed and used in accordance with the instructions, may cause harmful interference to radio communications. However, there is no guarantee that interference will not occur in a particular installation. If this equipment does cause harmful interference to radio or television reception, which can be determined by turning the equipment off and on, the user is encouraged to try to correct the interference by one or more of the following measures:

- Reorient or relocate the receiving antenna.
- Increase the separation between the equipment and receiver.
- Connect the equipment into an outlet on a circuit different from that to which the receiver is connected.
- Consult the dealer or an experienced radio/TV technician for help.
- This device complies with FCC RF radiation exposure limits set forth for an uncontrolled environment. This transmitter must not be co-located or operating in conjunction with any other antenna or transmitter
- fly part: This equipment should be installed and operated with a minimum distance of 20cm between the radiator & your body. This transmitter must not be co-located or operating in conjunction with any other antenna or transmitter.

## Additional Warnings & Precautions

- **WARNING:** To reduce the risk of fire or electric shock, do not expose this apparatus to rain, moisture, dripping, or splashing.
- **CAUTION:** Use of controls or adjustments or performance of procedures other than those specified may result in personal injury.
- **WARNING:** Changes or modifications to this unit not expressly approved by the party responsible for compliance could void the user's authority to operate the equipment.
- **CAUTION:** Danger of explosion if battery is incorrectly replaced. Replace only with the same or equivalent type.
- Lithium batteries, like all rechargeable batteries, are recyclable and should be recycled or disposed of according to state and local guidelines. They should never be disposed of in normal household waste, and they should never be incinerated, as they might explode. Contact your local government for disposal or recycling practices in your area.
- **WARNING:** Shock hazard - Do Not Open.
- Battery shall not be exposed to excessive heat such as sunshine, fire, or the like.
- Keep new and used batteries away from children. If the battery compartment does not close securely, stop using the product and keep it away from children.
- If you think batteries might have been swallowed or placed inside any part of the body, seek immediate medical attention.
- Do not mix old and new batteries.
- Completely replace all old batteries with new ones.
- Do not mix alkaline, standard (carbon-zinc), or rechargeable (ni-cad, ni-mh, etc) batteries.
- Batteries should be recycled or disposed of as per state and local guidelines.

# Table of Contents

---

## **Eagle 3 Pro Wi-Fi Drone**

- FAA Information: Flying Your Drone Under the Special Rule for Model Aircraft – 4
- Features – 4
- Includes – 4
- Diagram & Specifications – 5

## **Assembly**

- Rotor Guards – 6
- Landing Struts – 6
- Camera Adjustment – 6

## **Remote Control**

- Functions – 7
- Battery Installation – 8

## **Charging the Battery**

- Information & Procedure – 9

## **Flying**

- Remote Link & Calibration – 10
- Flight Controls – 11
- Setting Trim & Countering Drift – 12
- Gyroscope Recalibration – 13
- Remote Trim Reset – 13
- Tips for Safe Operation – 14
- Speed Setting – 14
- Headless Mode – 14
- Flips – 15

## **Sky Rider Voyage App**

- Free Download – 16
- Connect to Wi-Fi – 16
- Settings Screen – 17

## **Sky Rider View App**

- Screen Controls – 18
- Flight Controls – 19
- Using the Remote & App Together – 20
- Smartphone Holder – 20
- 3D Mode – 21

## **Parts & Repair**

- Parts Replacement – 22
- Rotor Replacement – 22

## **Troubleshooting**

- Troubleshooting Guide – 23

## **Customer Support**

- Contact Information – 24
- International Support – 24
- Warranty – 24

# Eagle 3 Pro Wi-Fi Drone

---

## FAA Information: Flying Your Drone Under the Special Rule for Model Aircraft

To fly under the Special Rule for Model Aircraft you must:

- Fly for hobby or recreation ONLY
- Register your model aircraft
- Fly within visual line-of-sight
- Follow community-based safety guidelines and fly within the programming of a nationwide community-based organization
- Fly a drone under 55 lbs. unless certified by a community-based organization
- Never fly near other aircraft
- Notify the airport and air traffic control tower prior to flying within 5 miles of an airport
- Never fly near emergency response efforts

**You alone are responsible for safely and responsibly flying your drone.** For more information on FAA Rules and Guidelines for flying Unmanned Aerial Systems please visit: <http://www.faa.gov/uas/>

## Features

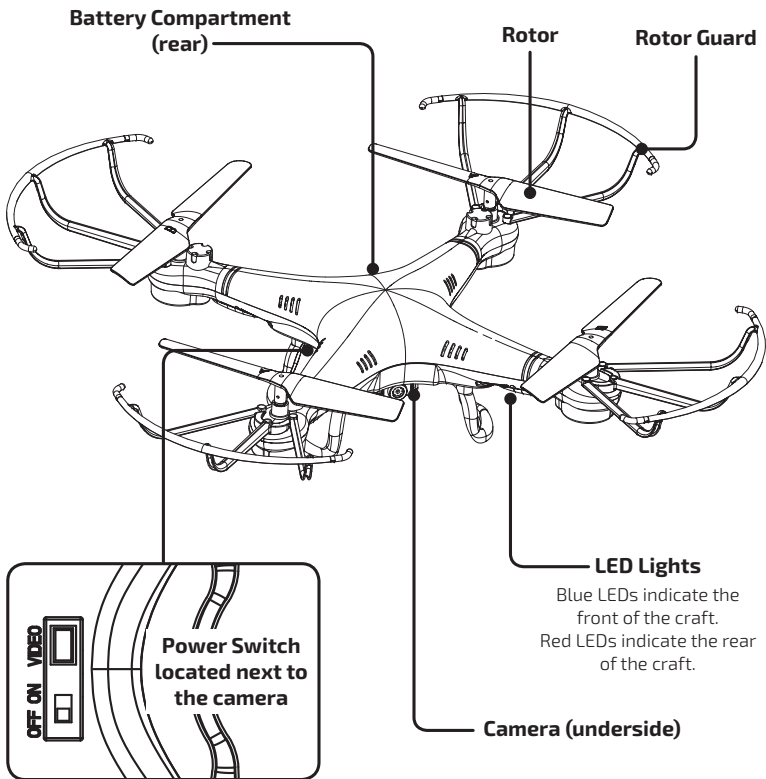
- 360° flips & tricks
- 6-axis gyroscope
- Free app for Wi-Fi flight, camera and video capture
- Adjustable angle Wi-Fi camera: 480x640, 0.3MP resolution
- 3 speeds
- Control distance: up to 300 feet
- LED navigation lights
- Operating time: 15-17 minutes
- Charge time: approx. 150 minutes

## Includes

- USB charging cable
- 2.4GHz remote control: requires 6 AA batteries (not included)
- Rechargeable lithium polymer battery
- 4 Replacement rotors
- 4 Rotor guards and screws
- Detachable smartphone cradle with attachment screw
- Screwdriver
- User's Guide

## Diagram & Specifications

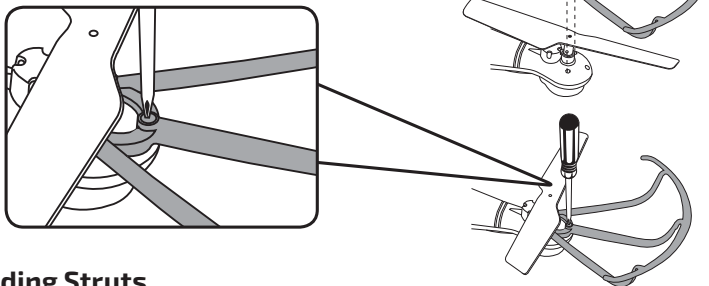
- Dimensions: 320x320x85mm/12.5x12.5x3.3 in. (LWH)
- Weight: 294g/10.4 oz/0.65lb



# Assembly

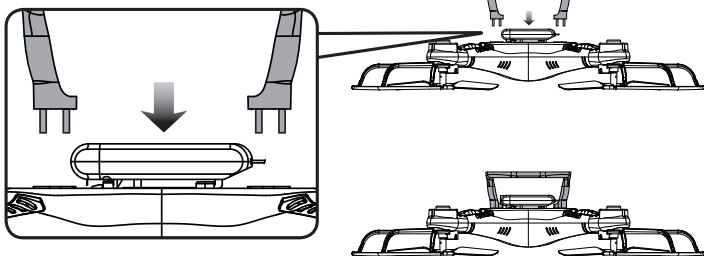
## Rotor Guards

Attach each rotor guard as shown, then tighten with a screw in the center location using the included screwdriver.



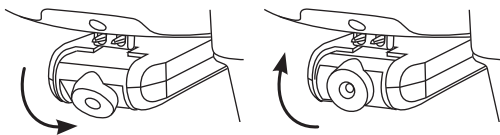
## Landing Struts

Place each landing strut on the underside of the craft as shown and press firmly into place.



## Camera Adjustment

Rotate the camera lens to change the viewing angle.



# Remote Control

## Functions

### Emergency Stop

Press to quickly stop the rotors from turning.

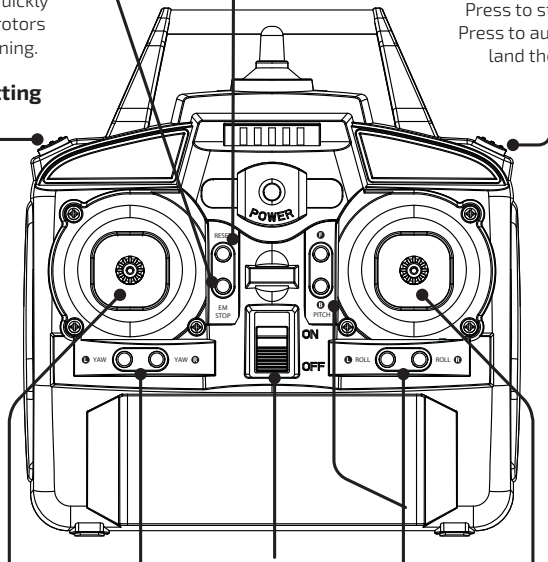
### Speed Setting

### Trim Reset

Press to reset trim settings to default.

### Start/Landing

Press to start rotors.  
Press to automatically land the drone.



### Left Control Stick

*Increase Throttle:*  
push forward  
*Decrease Throttle:*  
push backward

*Yaw/Spin:*  
push left or right

Press for Headless Mode.

### Power Switch

### Trim Adjustment

Press to adjust Yaw, Pitch and Roll trim.

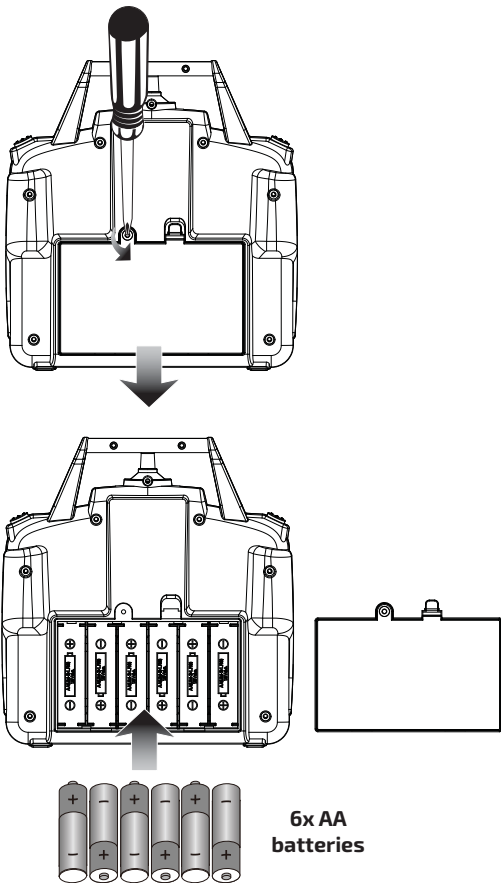
### Right Control Stick

*Pitch:*  
push forward/backward  
*Roll/Bank:*  
push left/right

Press and push any direction to do flips.

# Remote Control

## Battery Installation





# Charging the Battery

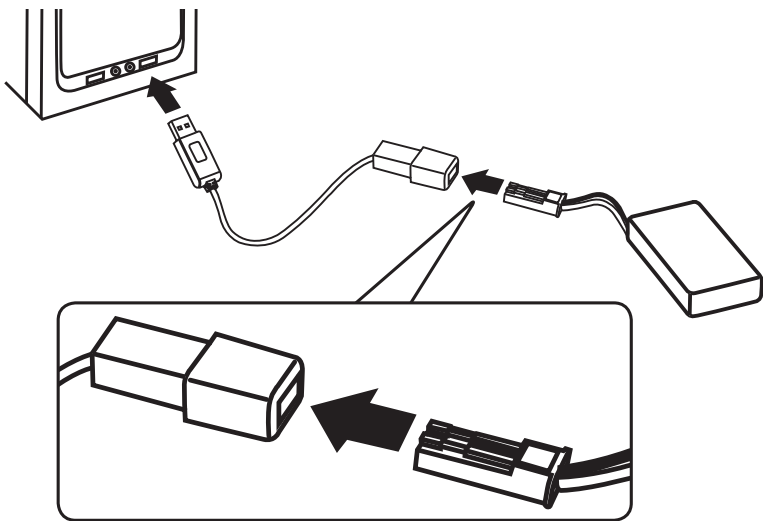
## Information & Procedure

The craft's battery must be charged before it can be flown. To avoid risk of injury or damage, **be sure the craft and remote control are both powered OFF and remove the battery from the craft when charging.** Charging time is approximately 150 minutes. Charge fully before use for best performance.

Connect the USB charging cable (included) to the USB port of a powered ON computer or USB power adapter (not included), then connect the charging plug to the battery plug.

**While charging,** the cable will display a red light.

**When charging is complete,** the light will turn OFF.



**Be sure to correctly match the plug to the charging port or damage may occur.**

**REMINDER: Do not charge overnight. Do not leave unattended while charging.**

# Flying

## Remote Link & Calibration

Before flying, the craft and the remote must be linked together and the gyroscopes on the craft must be allowed to calibrate.

**Begin with the battery installed, the battery compartment closed, and the craft and remote powered OFF.**

### Step 1

Power ON the craft and place it on a flat surface. This is necessary for the craft's gyroscopes to properly align. The lights on the craft will blink as it searches for a signal from the remote.

**Be sure the craft and yourself are facing the same forward direction, this will help with orientation while flying.**

### Step 2

Power ON the remote. The light on the remote will blink as it searches for the signal from the craft. An audible chime will sound when the remote and the craft have linked.

### Step 3

Push the **Left Control Stick (throttle)** fully forward, wait for a chime to sound, then pull the stick fully rearward, and wait for a second chime. Now, calibrate the gyroscopes by pulling down and inwards for 2-3 seconds. The LEDs on the craft will blink rapidly during calibration. **When the LEDs have turned solid, the craft is ready to fly.**

### Step 4

Press the **Start/Landing button** to start the rotors.

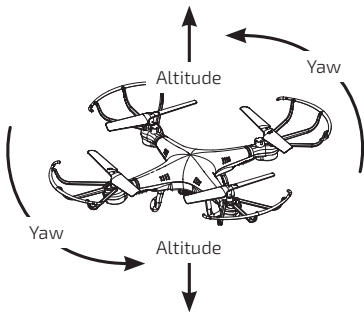
**To take off, push up on the Left Control Stick.** When you release the throttle, the craft will hover in place.

**To land, press the Start/Landing button.** The craft will descend until it detects it has landed and the rotors will stop.

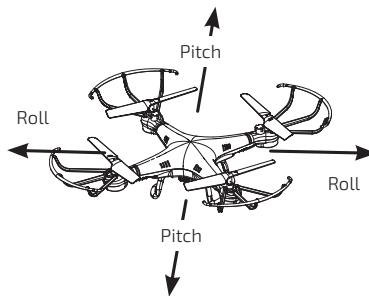
**To quickly stop the rotors, press the Emergency Stop button.** This is an emergency action to be used only in circumstances where the craft may cause damage or injury.

If you are finished flying, **power OFF the remote BEFORE powering OFF the craft** to prevent any signals from being sent by the remote on accident.

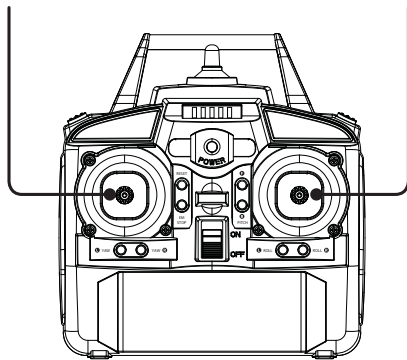
## Flight Controls



**Left Stick** controls Altitude (power) and Yaw (spin).



**Right Stick** controls Pitch (forward/backward) and Roll (left/right).



# Flying

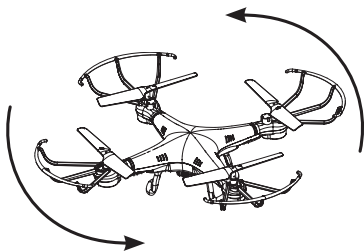
## Setting Trim & Countering Drift

Even after the craft is calibrated, it may show a tendency to drift while airborne. Adjusting the trim will help counter this effect and allow better control of the craft.

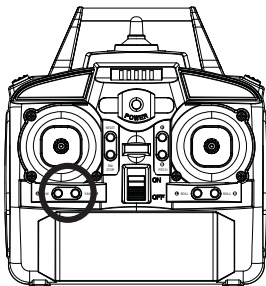
To avoid potential damage, adjust the trim while attempting a stable hover. Try to avoid making any exaggerated movements with the flight controls and adjust one trim setting at a time to avoid confusion.

**Note:** Adjusting the trim will help with drift but it will not entirely eliminate it. Air currents and other factors may still cause slight drift while airborne. Adjusting the trim is meant to correct distinct and obvious drift that makes the craft difficult to control.

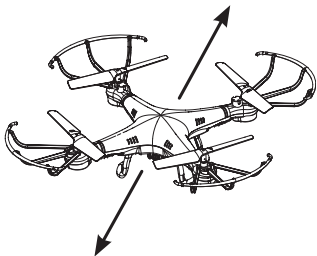
Craft spins left or right.



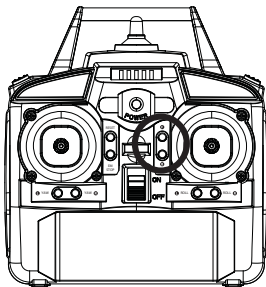
Adjust **Yaw Trim**.



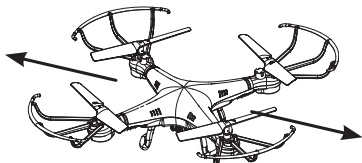
Craft drifts forward or backward.



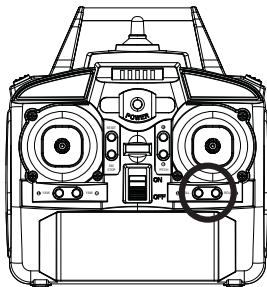
Adjust **Pitch Trim**.



Craft drifts left or right.



Adjust **Roll Trim**.

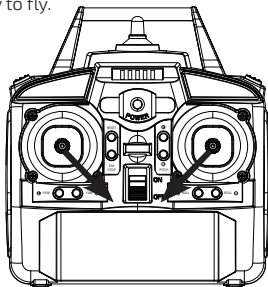


## Gyroscope Recalibration

If the craft is having difficulty flying or is behaving erratically, its gyroscopes may need to be recalibrated. Do not attempt to do this while flying, safely land the craft first and place it on a flat surface.

*Note: The craft and the remote should already be linked together.*

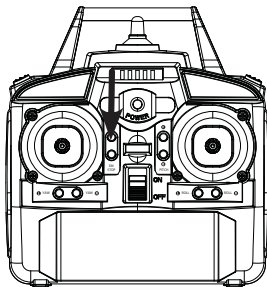
Pull down and inwards on both control sticks for 2-3 seconds. When the LED lights have stopped blinking and turn solid the recalibration is complete and the craft is ready to fly.



## Remote Trim Reset

If you are still having difficulty flying, it may help to reset the trim adjustments on the remote. Do not attempt to do this while flying, safely land the craft first.

Press the **Reset** button on the remote. The remote will chime once to indicate that the trim has been reset to default.



# Flying

## Tips for Safe Operation

- It is recommended to only fly in large, open spaces that are free of obstacles like power lines, trees, ceiling fans, etc.
- When flying indoors avoid walls and ceilings, as the craft may be drawn towards them if closer than 2-3 feet.
- Stand behind the craft when first taking off, so that you and the craft are facing the same "forward" direction. This will help with orientation when the craft is airborne.
- Novice pilots should move the controls slowly and deliberately to get used to the craft's flying characteristics. Try using one control at a time.
- Practice basic flight operations like take off, hovering, and landing.
- If you get into trouble or if anything obstructs the rotors, cut power immediately and safely clear the obstruction. Check for possible damage before flying again.

## Speed Setting

Press the **Speed** button on the remote to change the craft's speed setting.

- **Low:** Provides smooth and predictable control of the craft. The remote will chime once to indicate the low speed setting.
- **Medium:** The craft will move and respond faster to all control inputs. The remote will chime twice to indicate the medium speed setting.
- **High:** Highest setting for maximum performance. The remote will chime three times to indicate the high speed setting.

## Headless Mode

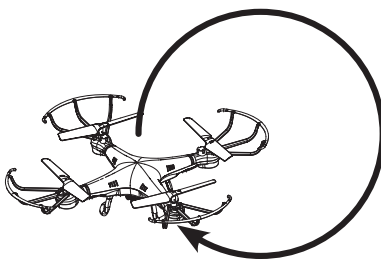
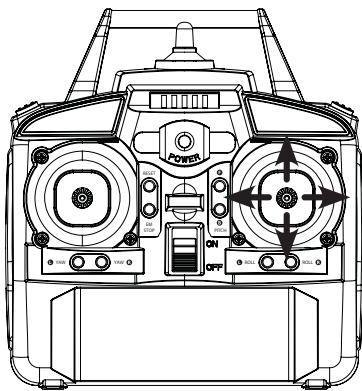
Before using Headless Mode be sure you and the craft are facing the same "forward" direction, otherwise the craft will not fly correctly. **To activate Headless Mode, press the Left Control Stick.** The remote will chime slowly while Headless Mode is ON. Press the button again to deactivate Headless Mode.

While Headless Mode is active the craft will fly in whatever direction the **Right Control Stick** is moved, regardless of where the front of the craft is pointing. For example, if the front of the craft was pointed straight ahead but is now pointed right 90°, when you push forward on the stick the craft will fly forwards as if it was still pointed straight ahead. This can be useful if you become disoriented while flying and cannot visually determine which direction the craft is facing.

## Flips

Before attempting a flip, be sure that there is ample clear space around the craft, ideally 9-10 ft. in all directions. It is not recommended to attempt to flip around or through any obstacles, as this may result in unintended damage.

Press the **Right Control Stick** to activate Flip Mode, then move it in any direction and the craft will perform a flip in the same direction.



Press the Right Control Stick, then move it in any direction to do a flip in that same direction.

# Sky Rider Voyage App



The Sky Rider Voyage app will allow you to fly the drone and capture images and video displayed from the drone's camera to your smartphone's screen. Connect your smartphone to the craft's Wi-Fi signal and start flying!

## Free Download

Scan the appropriate QR code with your smartphone or search for "**Sky Rider Voyage**" in the Apple App Store or Google Play Store.

## Connect to Wi-Fi

**NOTE:** Wi-Fi control may be interrupted by interference from other nearby Wi-Fi equipment.

Before beginning, make sure your phone's Wi-Fi is enabled and the craft is powered ON.

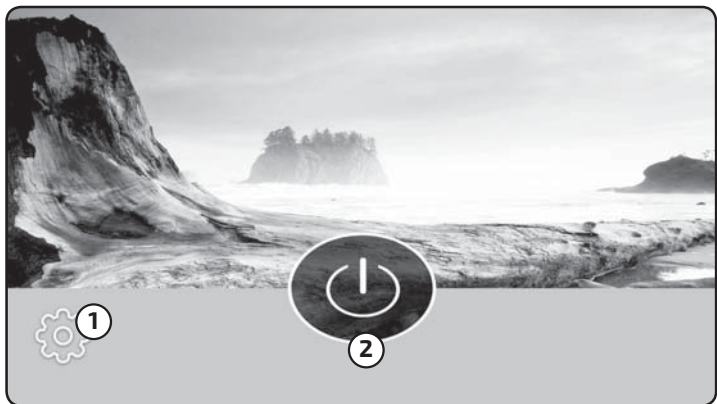
- From your smartphone, open the Wi-Fi settings menu, then search for and select **DRW618xxx** to connect to the craft.
- Once connected, open the app. You will see the **Home Screen** (image below). From here you can adjust settings and start using the app.



Android



Apple

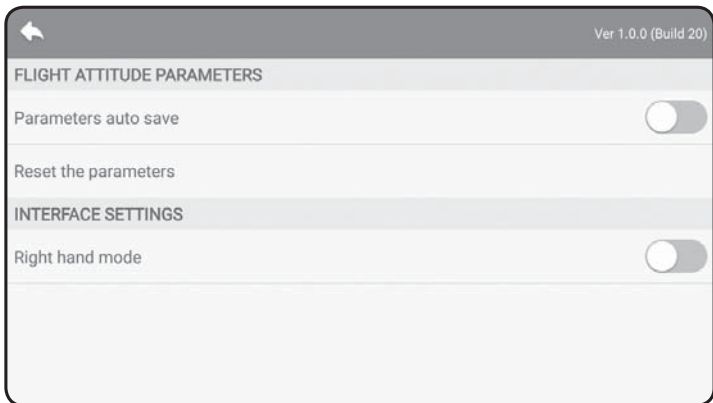


1. App Settings

2. Start App



## Settings Screen



### Flight Attitude Parameters

**Parameters Auto Save** - Trim settings adjusted in the app will be saved for future flights. *Be sure to reset the parameters before flying a different craft with the app.*

**Reset Fine Tune Parameters** - Reset trim settings to default.

### Interface Settings

**Right Hand Mode** - Reverses the Left and Right flight controls on the screen.

# Sky Rider View App

## Screen Controls



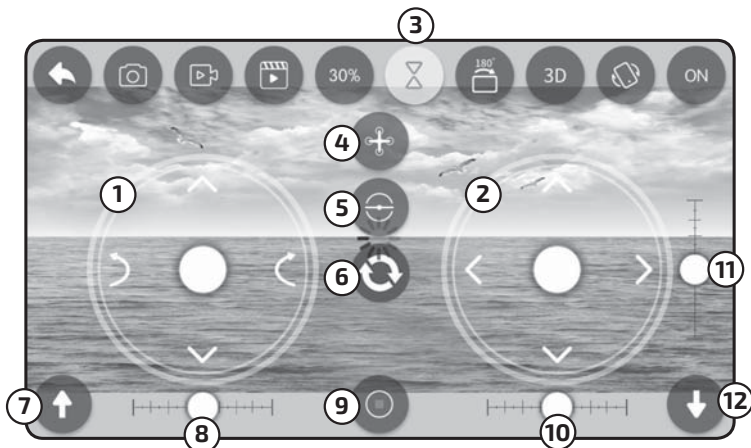
1. Back to Home Screen
2. Take Photo
3. Record Video
4. Photo/Video Gallery
5. Speed Setting
6. Flip Camera View 180°
7. 3D View (VR Mode)
8. Intuitive Mode
9. Flight Control On/Off (see next page)

**Intuitive Mode** uses the G-Sensor in your phone to control the craft. Tilt the phone forward, back, left and right to control the **pitch and roll** of the craft. **Throttle and yaw** are still manually controlled from the **Left Directional Control**.

### Camera & Video

Use the **Photo and Video buttons** to document your flight. Images and video are saved to your phone and can be viewed later by pressing the **Gallery button**.

## Flight Controls



- |   |                     |                |
|---|---------------------|----------------|
| 1. Throttle/Yaw Control                   | 5. Gyro Calibration | 10. Roll Trim  |
| 2. Pitch/Roll Control                     | 6. Reset Trim       | 11. Pitch Trim |
| 3. Altitude Hold/Hover Controls ON or OFF | 7. Take OFF         | 12. Land       |
| 4. Headless Mode                          | 8. Yaw Trim         |                |
|   | 9. Emergency Stop   |                |

### Altitude Hold/Hover Controls

NOTE: The Griffon Pro drone must have the Altitude Hold/Hover control enabled to fly.

**To take off, press the Take Off icon (7).** The rotors will start and the craft will rise and then hover in place. Use the regular flight controls to fly the drone.

**To land, press the Land icon (12).** The craft will descend until it detects it has landed and the rotors will stop.

**To quickly stop the rotors, press the Stop icon (9).** This is regarded as an emergency action to be used only in circumstances where the craft may cause damage or injury.

# Sky Rider View App

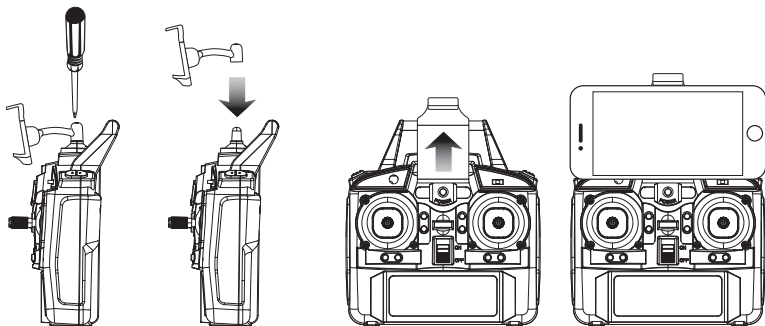
## Using the Remote & App Together

It can be easier to capture photos and video by using the remote to fly the drone and using the app in a viewing only method. Use the app and the remote together by attaching the smartphone holder (included) to the remote and placing your phone in the holder.

Follow the steps below to connect to the remote and the app in the proper sequence.

- **First, connect the remote to the craft like normal.** Connecting the remote first overrides any control signals from the app.
- Next, use your phone to connect to the craft's Wi-Fi. Open the app and go to the Flight Screen. Leave the Flight Controls off for the best view from the drone's camera.
- **Use the controls on the remote** to fly the craft while the Wi-Fi camera streams to your phone.
- When you're finished flying, power down the remote and craft like normal.

## Smartphone Holder



Place the phone holder over the post on top of the remote and tighten it down using the included screw and screwdriver.

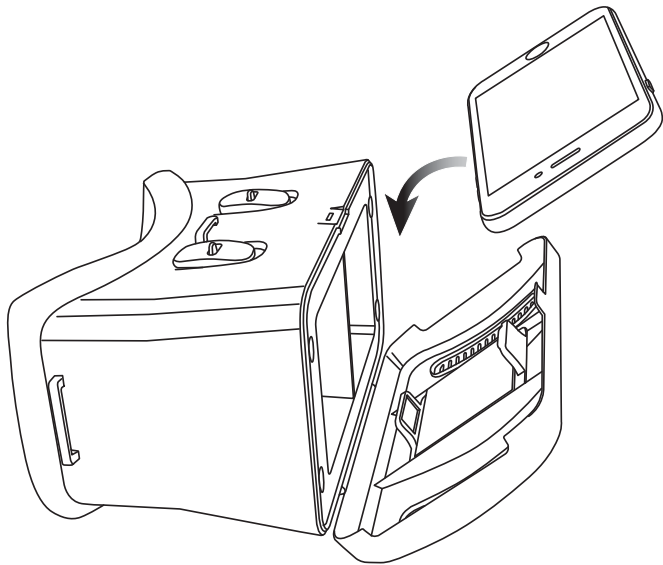
The phone holder mechanism is spring loaded. Pull upwards on the holder and place your phone in it.

## 3D Mode

VR Mode splits the phone's screen for use in a VR headset. **Press the 3D button** on the screen to turn this feature ON or OFF. Use VR Mode to give a friend a fully immersive, point-of-view flying adventure.

### NOTE:

- On screen flight controls are locked out in VR Mode. You must have the regular remote connected in order to fly the craft.
- **We do not recommend flying the craft while wearing a headset.** The craft's camera has a limited forward view and the headset will completely obscure the user's peripheral vision and situational awareness. **Pilots assume all risk and are responsible for any damage caused by improper use.**



# Parts & Repair

**REMINDER:** Pilots are responsible for any damage caused by improper use.

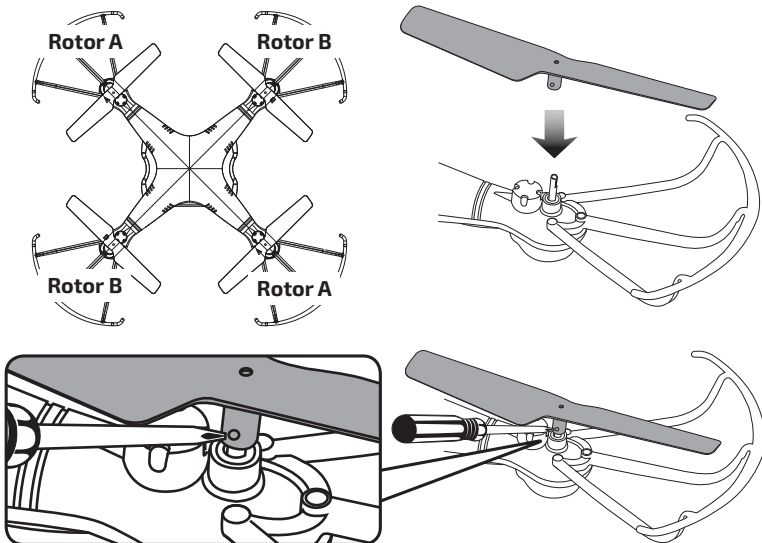
## Parts Replacement

Standard parts such as extra batteries and remotes are available online for purchase when in stock. However, any non-standard parts such as cameras, screws, bodies, etc. can be ordered by placing an inquiry with our parts department at: [partsinfo@dpiinc.com](mailto:partsinfo@dpiinc.com).

## Rotor Replacement

The craft comes with replacement rotors if the originals are broken or badly damaged. Use the included screwdriver to remove the rotor retaining screw that holds the rotor to the motor shaft. Once the retaining screw is out, pull upwards on the rotor to remove it from the motor shaft. Installation of the new rotor is the reverse of the removal process. Be sure to tighten the rotor retaining screw firmly, but do not over tighten.

**It is extremely important to use the correct rotor (A or B) for replacement.** Using the incorrect rotor will make the craft impossible to control. The marking can be found on the rotor near the shaft.



# Troubleshooting

## Troubleshooting Guide

PROBLEM	POSSIBLE CAUSES	SOLUTION
<b>Craft does not respond to controls.</b>	<ul style="list-style-type: none"><li>• No power to remote or craft.</li><li>• Poor contact between power plugs.</li><li>• Craft is out of range.</li></ul>	<ul style="list-style-type: none"><li>• Check remote batteries, replace if needed.</li><li>• Check craft battery, be sure it is fully charged.</li><li>• Be sure the power plugs are firmly connected.</li><li>• Be sure the remote has an unobstructed line of sight to the craft.</li><li>• Remain within the remote's 300 ft. range.</li></ul>
<b>Craft is difficult to control or flies erratically.</b>	<ul style="list-style-type: none"><li>• Gyroscopes may be misaligned.</li></ul>	<ul style="list-style-type: none"><li>• Power OFF remote and craft and reconnect (see pg. 10).</li></ul>
<b>Craft drifts while in flight.</b>	<ul style="list-style-type: none"><li>• Trim not set or needs adjustment.</li></ul>	<ul style="list-style-type: none"><li>• Adjust trim settings (see pg. 12).</li></ul>
<b>Craft suffers from mechanical trouble.</b>	<ul style="list-style-type: none"><li>• Damage to body, rotors or other major components.</li></ul>	<ul style="list-style-type: none"><li>• Repair or replace parts as needed.</li></ul>
<b>LED lights ON but craft does not respond to controls.</b>	<ul style="list-style-type: none"><li>• Low battery power.</li></ul>	<ul style="list-style-type: none"><li>• Recharge the battery.</li></ul>

# Customer Support

---

## Contact Information

Website: [www.gpx.com](http://www.gpx.com)

Email Support: [prodinfo@dpiinc.com](mailto:prodinfo@dpiinc.com)

Email Parts: [partsinfo@dpiinc.com](mailto:partsinfo@dpiinc.com)

Phone Support: 1-888-999-4215

## Warranty

See included 30 Day Warranty for warranty information. Warranty and the most up-to-date version of this User's Guide can also be found at: [www.gpx.com](http://www.gpx.com)

## International Support

To download this User's Guide in English, Spanish, and French, or to get answers to frequently asked questions, visit the support section at: [www.gpx.com](http://www.gpx.com)

Para descargar este Manual del Usuario en inglés, español y francés, o para obtener respuestas a preguntas frecuentes, visite la sección de apoyo en: [www.gpx.com](http://www.gpx.com)

Pour télécharger ce guide de l'utilisateur en anglais, espagnol ou français, ou pour obtenir des réponses à des questions fréquemment posées, consultez la rubrique d'assistance sur: [www.gpx.com](http://www.gpx.com)



***Protect for Today  
Sustain for Tomorrow***

Copyright © 2018 Digital Products International (DPI, Inc.) All other trademarks appearing herein are the property of their respective owners. Specifications are subject to change without notice.