

## Cover OUTSIDE

11" (27.9cm)

### THUNDERBOLT STEALTH

Sharper Image® name and logo (including the 77 logo and Tomorrow's Tomorrow) are trademarks or registered trademarks. Distributed by and © 2023 MerchSource, LLC. Irvine, CA 92618. All rights reserved.  
For customer support, please call 1-800-374-2744.

Model Number: 1017798

The artwork and design of this manual are protected by US copyright law and may not be reproduced, distributed, displayed, published, or used for any purpose without prior written permission. It is not permitted to alter, remove, or reproduce any trademarks, or copyright notice from this manual.

**WARNING:**  
CHOKING HAZARD – Small Parts.  
Not for children under 3 years of age.

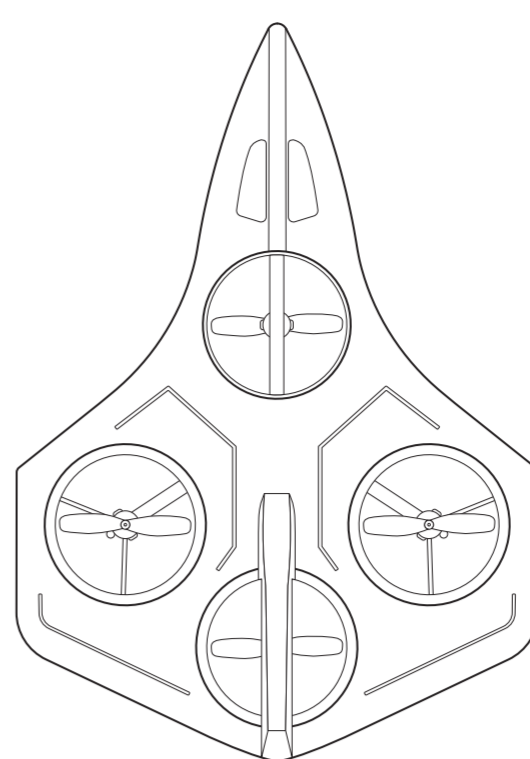


Printed in China

### SHARPER IMAGE®



14+



KEEP THIS INSTRUCTION MANUAL AS IT CONTAINS IMPORTANT INFORMATION FOR FUTURE REFERENCE.  
Due to continuous product improvements, illustrations in this manual may differ slightly from the actual product.

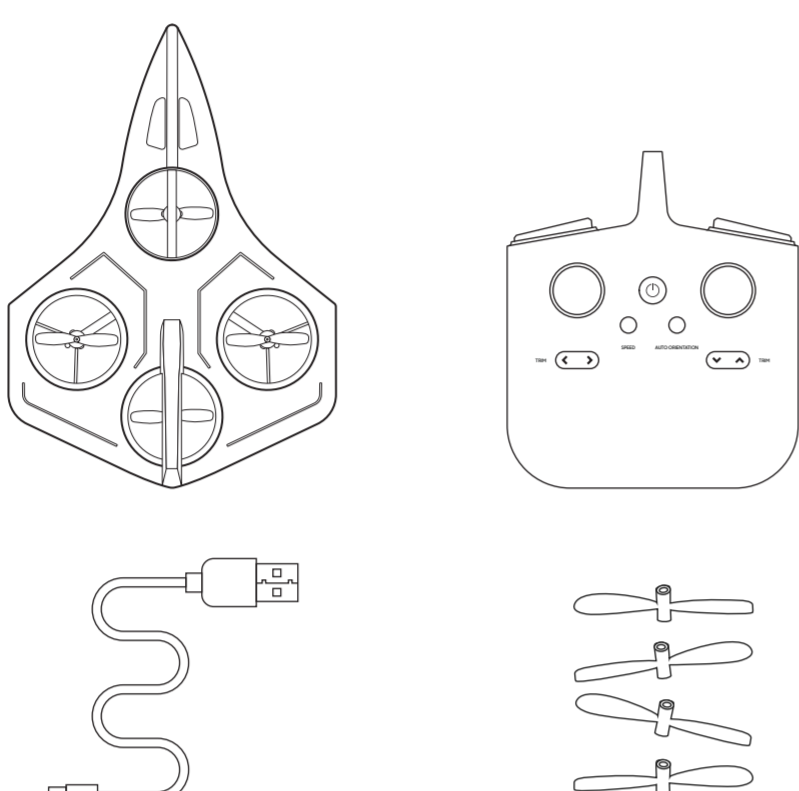
### THUNDERBOLT STEALTH

6"  
(15.2 cm)

## Cover INSIDE

### CONTENTS

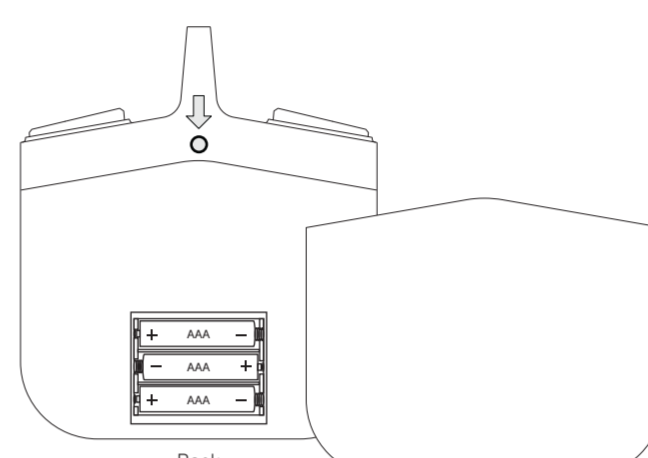
Thunderbolt Stealth  
Remote Control  
USB-C Charging Cable  
4 Replacement Propellers



1

### BATTERY INSTALLATION

- The remote control requires 3 AAA 1.5V batteries (not included).
- Use a tool to press the button and release the battery cover. Slide the battery cover down to remove it.
- Insert the batteries in the same orientation as shown.
- Slide the battery cover back up and secure it in place.



2

### PLAY

#### POWER

- To power on the remote control, press the power button once. The power LED will light up gradually.
- To power on the drone, slide the power switch (located on the bottom of the drone) to the on position.

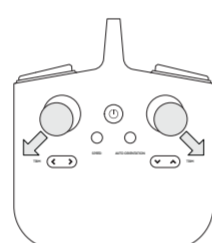
#### PAIRING

- After powering on both the remote control and drone, move the left joystick up and down quickly to start pairing mode.
- If the drone and remote control cannot be paired successfully within 1 minute, power off and power on both to exit sleep mode and then restart the pairing process.

Note: The remote control and drone use a 2.4GHz wireless connection. If either the remote control or the drone disconnects, the other will automatically enter pairing mode.

#### STABILIZATION

- If the drone has stability issues after an impact, reset the gyroscope by simultaneously pointing the left joystick to the bottom left and the right joystick to the bottom right as shown. The lights on the drone will flash to indicate recalibration was successful and the drone is ready for flight.



- If the resetting the gyroscope does not resolve the issue, power off and power on the drone and remote control and pair both again.

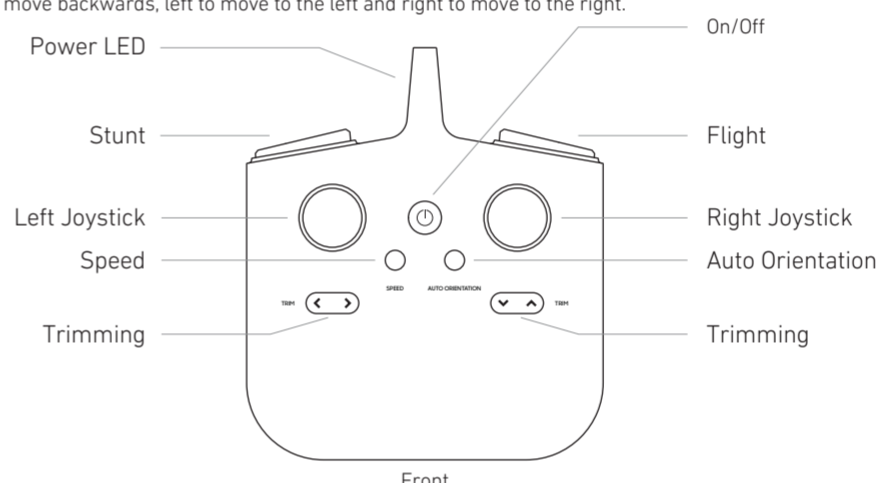
Note: The recalibration process in step 1 can be used to clear previous trim settings before flights.

3

### PLAY

#### CONTROLS

- Place the drone on a level and solid surface to ensure a steady takeoff.
  - There are 2 methods for takeoff. To auto take off, push the flight button to automatically begin flight. The drone will rise between 4.9 and 6.5 feet (1.5 and 2 m) and remain suspended. To manually begin flight, press the left joystick up and the drone will take off. Release the joystick to have the drone hover in place.
  - To land the drone, either push the flight button and the drone will land automatically, or use the left joystick to manually land the drone. Be sure to land the drone on a level solid surface.
- In the event the propellers will not stop spinning, you can perform an emergency stop by pressing the speed and auto orientation buttons at the same time and holding by 2 seconds.
- The left joystick is used to control height and rotation of the drone. Push up to fly up and push down to fly down. Push left to spin the drone counterclockwise and push right to spin the drone clockwise.
  - Use the right joystick to control the drone on the x axis. Push the stick up to move forward, down to move backwards, left to move to the left and right to move to the right.



#### SPEED

- To switch between low and high speed modes, press the speed button. The remote control will beep twice when enter high speed mode and once when back in low speed mode. The drone defaults to low speed when powered on.

4

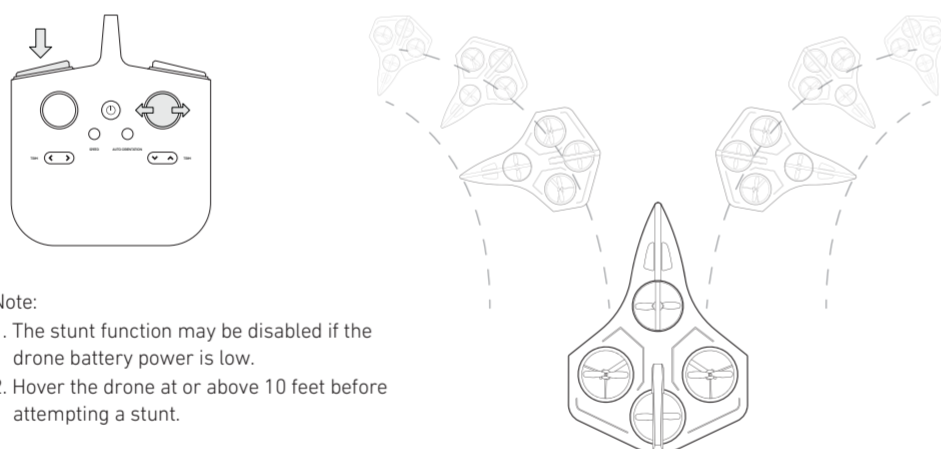
### PLAY

#### AUTO ORIENTATION

- Press the auto orientation button to activate auto orientation mode. Press it again to deactivate this mode.
- The drone will always move in the direction you press the right joystick in relation to the remote control, no matter which direction the drone is currently facing.
- Pressing the right joystick up will make the drone fly away from the remote control, and pressing the right joystick down will make the drone fly towards the remote control.
- When auto orientation is active, the remote control will beep every 6 seconds.

#### FLIP STUNT

Press the stunt button and then press the right joystick to left or right.



Note:

- The stunt function may be disabled if the drone battery power is low.
- Hover the drone at or above 10 feet before attempting a stunt.

#### SOUND

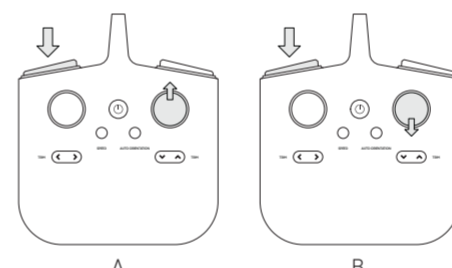
During drone take off or flip stunt, sound will play in the background.

5

### PLAY

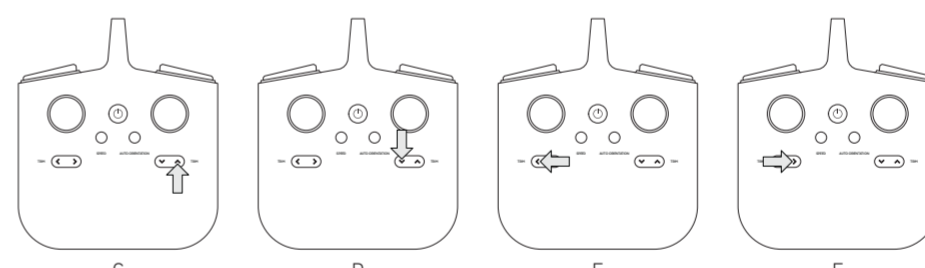
#### LOOP

- Press stunt button and push the right joystick up to control the drone bank loop in left (figure A).
- Press stunt button and push the right joystick down to control the drone bank loop in right (figure B). The drone will fly one circle to the left/right, with a diameter of approximately 1 meter.



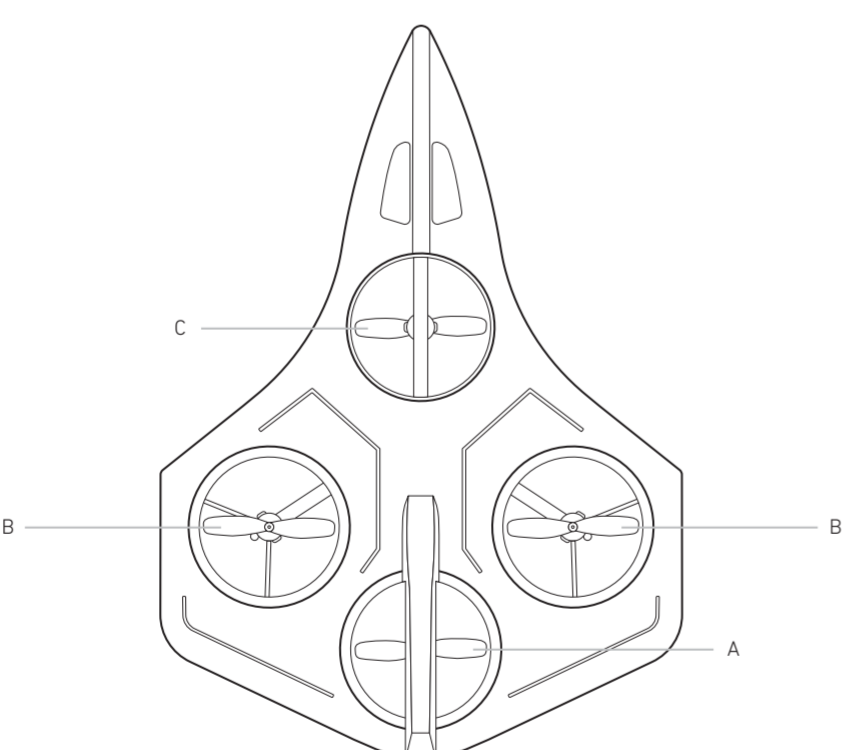
#### ADJUST TRIM

- If the drone drifts backward without pilot input, press the forward trim button (figure C).
- If the drone drifts forward without pilot input, press the backward trim button (figure D).
- If the drone drifts right without pilot input, press the left trim button (figure E).
- If the drone drifts left without pilot input, press the right trim button (figure F).



6

### PROPELLER REPLACEMENT



- Propellers must be replaced by an adult.
- Pull directly up on each damaged propeller until it releases from the drone.
  - Verify the correct propeller letter against the above diagram. The underside of the propellers are labeled.
  - Install the replacement propeller by aligning and pressing it securely into place.

7

### CHARGING THE BATTERY

- The drone features a built-in rechargeable battery. Charge fully before first use.
- Plug the USB-C charging cable (included) into the drone charging port.
- Plug the other end of the charging cable into a power adapter.
- The tail LEDs of the drone will light up while charging and will turn off when fully charged. The drone will fully charge in approximately 120 minutes and will fly for approximately 6 minutes on a full charge.
- When the battery runs low, the red tail LEDs on the drone will flash rapidly. The remote control will play a short beep sound every 2 seconds. The sound will stop after the drone is powered off or recharged.

Note: The drone cannot be operated while charging.

#### SAFETY WARNINGS: PLEASE READ BEFORE USE

- Adult supervision required.
- Do not touch spinning propellers.
- Use this item only for its intended purpose.
- Do not pilot the drone towards people, animals, or fragile objects. May cause injury or property damage.
- Do not expose to extreme temperatures or moisture.
- Thoroughly inspect products before every use. If the product appears worn, frayed/spintered, cracked, or broken in any manner, discontinue use and discard immediately.
- For indoor use only.
- Use caution and pay attention to your surrounding while operating this item.
- Always turn off when not in use.

8

### BATTERY WARNINGS

#### RECHARGEABLE BATTERY WARNINGS: NON-REPLACEABLE BATTERY

- This product contains batteries that are non-replaceable.
- There is a risk of fire and personal injury if battery is punctured, damaged, or misused.
- Do not dismantle, crush, incinerate or short-circuit battery.
- Never expose battery to extreme temperatures or moisture.
- Keep away from flammable materials and direct sunlight.
- Only charge using the provided charger, cable, and/or adapters.
- Rechargeable battery is only to be charged by an adult.
- Adult supervision is required while charging the battery.
- Allow battery to cool to room temperature before charging.
- Charge on a non-flammable surface and keep away from flammable products.
- Discontinue charging if battery becomes hot, swells, smokes, or gives off a strong odor.
- Battery chargers used with the product are to be regularly examined for damage to the cord, plug, enclosure, and other parts. In the event of such damage, chargers must not be used until the damage has been repaired.
- Recycle or dispose of battery according to federal, state, and local laws.
- Keep these instructions for future reference.

- BATTERY WARNINGS**
- Do not mix old and new batteries.
  - Do not mix alkaline, standard (carbon-zinc), or rechargeable batteries.
  - Alkaline batteries are recommended. Use only the specified voltage.
  - Insert batteries using the correct polarity. Always use, replace, and recharge (if applicable) batteries under adult supervision.
  - Do not charge with non-rechargeable batteries.
  - Do not short-circuit the battery supply terminals.
  - Do not dispose of batteries in fire, batteries may explode or leak.
  - Remove batteries (if removable) before storing.
  - Recycle or dispose of batteries according to federal, state, and local laws.

9

### FCC STATEMENTS

This device complies with Part 15 of the FCC Rules. Operation is subject to the following two conditions: (1) this device may not cause harmful interference, and (2) this device must accept any interference received, including interference that may cause undesired operation.

Note: This equipment has been tested and found to comply with the limits for a Class B digital device, pursuant to part 15 of the FCC Rules. These limits are designed to provide reasonable protection against harmful interference in a residential installation. This equipment generates, uses and can radiate radio frequency energy and, if not installed and used in accordance with the instructions, may cause harmful interference to radio communications.

However, there is no guarantee that interference will not occur in a particular installation. If this equipment does cause harmful interference to radio or television reception, which can be determined by turning the equipment off and on, the user is encouraged to try to correct the interference by one or more of the following measures:

- Reorient or relocate the receiving antenna.
- Increase the separation between the equipment and receiver.
- Connect the equipment into an outlet on a circuit different from that to which the receiver is connected.
- Consult the dealer or an experienced radio/TV technician for help.

**Warning:** Changes or modifications to this unit not expressly approved by the party responsible for compliance could void the user's authority to operate the equipment.

10