

RF Test Report

Applicant : ADDON Technology

Product Type : Hybrid wireless multiple connected conference

Trade Name : Tutti Studio

Model Number : iCube A2 Tutti Matti

Test Specification : FCC 47 CFR PART 15 SUBPART C
ANSI C63.10:2013

Receive Date : May 02, 2018

Test Period : May 15 ~ Jun. 01, 2018

Issue Date : Jul. 02, 2018

Issue by

A Test Lab Techno Corp.
No. 140-1, Changan Street, Bade District,
Taoyuan City 33465, Taiwan (R.O.C)
Tel : +886-3-2710188 / Fax : +886-3-2710190



Taiwan Accreditation Foundation accreditation number: 1330
Test Firm MRA designation number: TW0010

Note: This report shall not be reproduced except in full, without the written approval of A Test Lab Techno Corp. This document may be altered or revised by A Test Lab Techno Corp. personnel only, and shall be noted in the revision section of the document. The client should not use it to claim product endorsement by TAF, or any government agencies. The test results in the report only apply to the tested sample.



Revision History

Rev.	Issue Date	Revisions	Revised By
00	Jun. 19, 2018	Initial Issue	Nina Lin
01	Jul. 02, 2018	Revised report information	Nina Lin

Verification of Compliance

Issued Date: Jul. 02, 2018

Applicant : ADDON Technology
Product Type : Hybrid wireless multiple connected conference
Trade Name : Tutti Studio
Model Number : iCube A2 Tutti Matti
FCC ID : Z2HMATTI-8
EUT Rated Voltage : DC18V, 2A
Test Voltage : 120 Vac / 60 Hz
Applicable Standard : FCC 47 CFR PART 15 SUBPART C
ANSI C63.10:2013
Test Result : Complied

Performing Lab. : A Test Lab Techno Corp.
No. 140-1, Changan Street, Bade District,
Taoyuan City 33465, Taiwan (R.O.C)
Tel : +886-3-2710188 / Fax : +886-3-2710190
Taiwan Accreditation Foundation accreditation number: 1330
<http://www.atl-lab.com.tw/e-index.htm>



A Test Lab Techno Corp. tested the above equipment in accordance with the requirements set forth in the above standards. All indications of Pass/Fail in this report are opinions expressed by A Test Lab Techno Corp. based on interpretations and/or observations of test results. Measurement Uncertainties were not taken into account and are published for informational purposes only. The test results show that the equipment tested is capable of demonstrating compliance with the requirements as documented in this report.

Approved By : Jet Lu Reviewed By : Eric Ou Yang
(Manager) (Jet Lu) (Testing Engineer) (Eric Ou Yang)



TABLE OF CONTENTS

1	General Information	5
	1.1. Summary of Test Result.....	5
	1.2. Measurement Uncertainty.....	6
2	EUT Description	7
3	Test Methodology	8
	3.1. Mode of Operation.....	8
	3.2. EUT Exercise Software.....	8
	3.3. Configuration of Test System Details.....	9
	3.4. Test Instruments.....	10
	3.5. Test Site Environment.....	11
4	Measurement Procedure	12
	4.1. Maximum Conducted Output Power Measurement.....	12
	4.2. AC Power Line Conducted Emission Measurement.....	13
	4.3. Radiated Emission Measurement.....	15
	4.4. 20dB RF Bandwidth Measurement.....	18
	4.5. Carrier Frequency Separation Measurement.....	19
	4.6. Number of Hopping Measurement.....	20
	4.7. Time of Occupancy (Dwell Time) Measurement.....	21
	4.8. Out of Band Conducted Emissions Measurement.....	22
	4.9. Antenna Measurement.....	22
5	Test Results	23
	Annex A. Conducted Emission.....	23
	Annex B. Conducted Test Results.....	25
	Annex C. Radiated Emission Measurement.....	44



1 General Information

1.1. Summary of Test Result

FCC Standard	Item	Result	Remark
15.207	AC Power Conducted Emission	PASS	----
15.203	Antenna Requirement	PASS	----
15.247(b)(1)	Max. Output Power	PASS	----
15.247(d)	Transmitter Radiated Emissions	PASS	----
15.247(a)(1)	20dB RF Bandwidth	PASS	----
15.247(a)(1)	Carrier Frequency Separation	PASS	----
15.247(a)(1)(iii)	Number of Hopping	PASS	----
15.247(a)(1)(iii)	Time of Occupancy (Dwell Time)	PASS	----
15.247(d)	Out of Band Conducted Spurious Emission	PASS	----

The test results of this report relate only to the tested sample(s) identified in this report. Manufacturer or whom it may concern should recognize the pass or fail of the test result.

Standard	Description
CFR47, Part 15, Subpart C §15.247	Intentional Radiators
ANSI C63. 10: 2013	American National Standard of Procedures for Compliance Testing of Unlicensed Wireless Devices
DA 00-705	Filing and Measurement Guidelines for Frequency Hopping Spread Spectrum Systems



1.2. Measurement Uncertainty

Test Item	Frequency Range	Uncertainty (dB)
Conducted Emission	9kHz ~ 150kHz	2.7
	150kHz ~ 30MHz	2.7
Radiated Emission	9kHz ~ 30MHz	1.7
	30MHz ~ 1000MHz	5.7
	1000MHz ~ 18000MHz	5.5
	18000MHz ~ 26500MHz	4.8
	26500MHz ~ 40000MHz	4.8
Conducted Output Power	+0.27 dB / -0.28 dB	
RF Bandwidth	4.96%	
Power Spectral Density	+0.71 dB / -0.77 dB	



2 EUT Description

Applicant	ADDON Technology 1F., No.11, Lane 206, Sec. 1, Da An Road Taipei City Taiwan	
Manufacturer	Shenzhen Opures Technology Co., Ltd Room 206, No.535 Buiding, Bagua 2nd road , Futian District,Shenzhen City, China	
Product	Hybrid wireless multiple connected conference	
Trade Name	Tutti Studio	
Model Number	iCube A2 Tutti Matti	
FCC ID	Z2HMATTI-8	
Frequency Range	2402 ~ 2480 MHz	
Modulation Type	GFSK for 1Mbps	
	$\pi/4$ -DQPSK for 2Mbps	
	8DPSK for 3Mbps	
Operate Temp. Range	-5 ~ +40 °C	
Antenna information	Type	Max. Gain (dBi)
	PCB Antenna	-0.35
RF Output Power (Conducted)	GFSK for 1Mbps	0.00220 W
	$\pi/4$ -DQPSK for 2Mbps	0.00200 W
	8DPSK for 3Mbps	0.00216 W

3 Test Methodology

3.1. Mode of Operation

Decision of Test ATL has verified the construction and function in typical operation. All the test modes were carried out with the EUT in normal operation, which was shown in this test report and defined as:

Pre-Test Mode
Mode 1: Transmit mode
Mode 2: GFSK Continuous TX mode
Mode 3: $\pi/4$ -DQPSK Continuous TX mode
Mode 4: 8DPSK Continuous TX mode

After verification, all tests were carried out with the worst case test modes as shown below except radiated spurious emission below 1GHz and power line conducted emissions below 30MHz, which worst case was in TX mode only.

By preliminary testing and verifying three axis (X, Y and Z) position of EUT transmitted status, it was found that "X axis" position was the worst, then the final test was executed the worst condition and test data were recorded in this report.

Final-Test Mode
Mode 1: Transmit mode
Mode 2: GFSK Continuous TX mode
Mode 4: 8DPSK Continuous TX mode

Description of Test Modes

Preliminary tests were performed in different modulation to find the worst case. The modulation has shown the worst-case in section 4.5. Investigation has been done on all the possible configurations for searching the worst cases.

Tested System Details

The types for all equipments, plus descriptions of all cables used in the tested system (including inserted cards) are:

	Product	Manufacturer	Model Number	Serial Number	Power Cord
1.	Bluetooth Tester	R & S	CBT	100350	NA

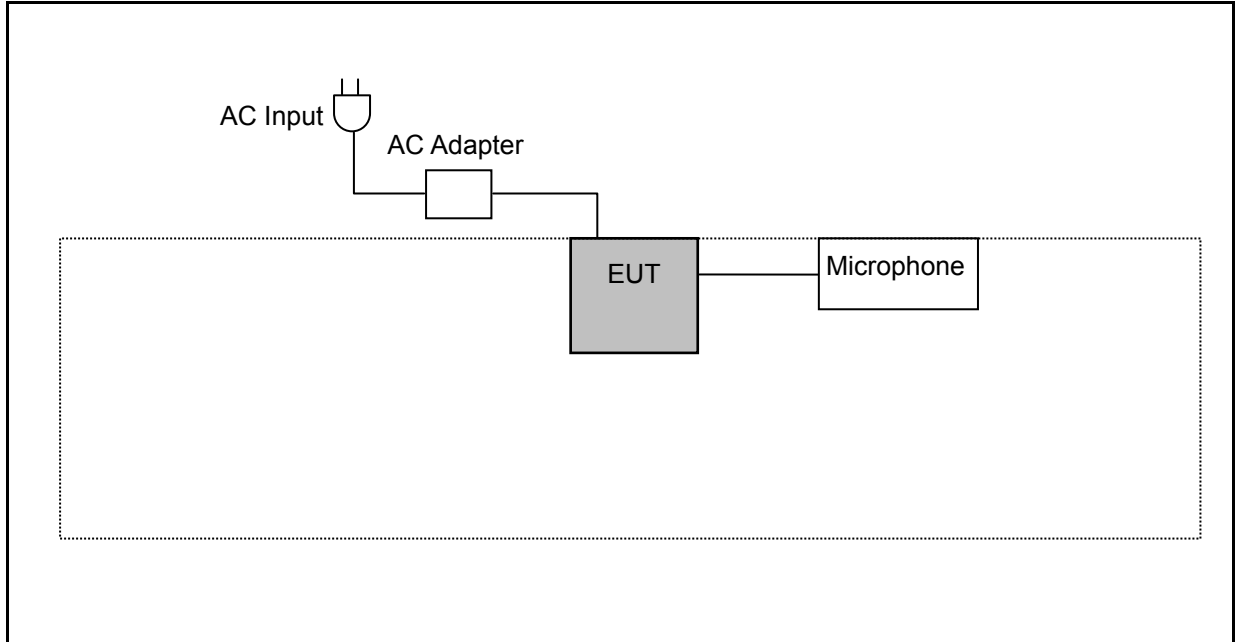
3.2. EUT Exercise Software

1	Setup the EUT shown on "Configuration of Test System Details."
2	Turn on the power of all equipment.
3	Turn on TX function
4	EUT run test program.

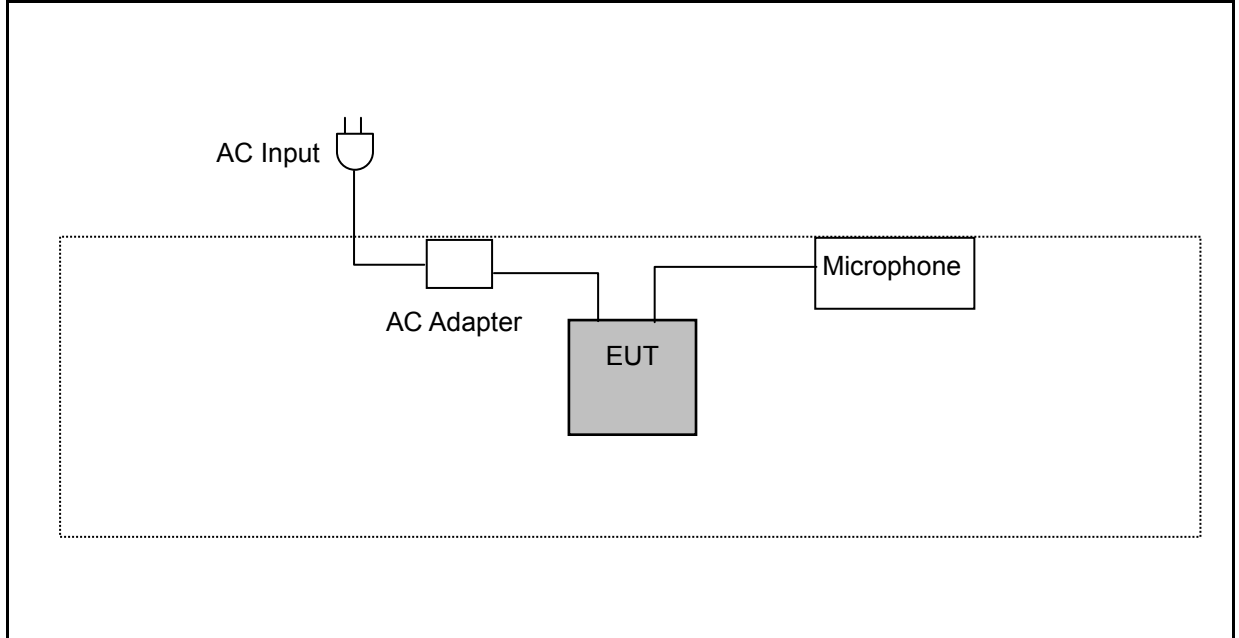
Measurement Software	
1	EZ-EMC Ver. ATL-03A1-1
2	EZ-EMC Ver ATL-ITC-3A1-1

3.3. Configuration of Test System Details

Conducted Emission



Radiated Emissions



Devices Description					
	Product	Manufacturer	Model Number	Serial Number	Power Cord
(1)	---	---	---	---	---



3.4. Test Instruments

For Conducted Emission

Test Period: Jun. 01, 2018

Equipment	Manufacturer	Model Number	Serial Number	Cal. Date	Next Cal. Date	Cal. Period
Test Receiver	R&S	ESCI	100367	05/21/2018	05/20/2019	1 year
LISN	R&S	ENV216	101040	04/11/2018	04/10/2019	1 year
LISN	R&S	ENV216	101041	03/23/2018	03/22/2019	1 year

For Radiated Emissions

Test Period: May 15 ~ Jun. 01, 2018

Equipment	Manufacturer	Model Number	Serial Number	Cal. Date	Next Cal. Date	Cal. Period
EXA Signal Analyzer	Keysight	N9010A	MY52221312	01/15/2018	01/14/2019	1 year
Pre Amplifier (1~26.5GHz)	Agilent	8449B	3008A02237	10/16/2017	10/15/2018	1 year
Amplifier	Agilent	8447D	2944A11119	01/10/2018	01/09/2019	1 year
Broadband Antenna	Schwarzbeck	VULB9168	416	10/26/2017	10/25/2018	1 year
Horn Antenna (1~18GHz)	SCHWARZBECK MESS-ELEKTRONI	BBHA9120D	9120D-550	06/20/2017	06/19/2018	1 year
Horn Antenna (18~40GHz)	ETS	3116	86467	09/19/2017	09/18/2018	1 year
RF Cable	EMCI	EMC104-N-N-6000	TE01-1	02/20/2018	02/19/2019	1 year
Microwave Cable	EMCI	EMC104-SM-SM-13000	170814	10/31/2017	10/30/2018	1 year
Microwave Cable	EMCI	EMC102-KM-KM-14000	151001	02/20/2018	02/19/2019	1 year

For Conducted

Test Period: May 16, 2018

Equipment	Manufacturer	Model Number	Serial Number	Cal. Date	Next Cal. Date	Cal. Period
Power Sensor	Anritsu	MA2411B	1126022	01/15/2018	01/14/2019	1 year
Power Meter	Anritsu	ML2495A	1135009	10/16/2017	10/15/2018	1 year
Spectrum Analyzer (9Hz~44GHz)	Keysight	N9010A	MY52221312	01/10/2018	01/08/2019	1 year
Microwave Cable	EMCI	EMC102-SM-SM1500	001	11/22/2017	11/21/2018	1 year



3.5. Test Site Environment

Items	Required (IEC 60068-1)	Actual
Temperature (°C)	15-35	26
Humidity (%RH)	25-75	60
Barometric pressure (mbar)	860-1060	950

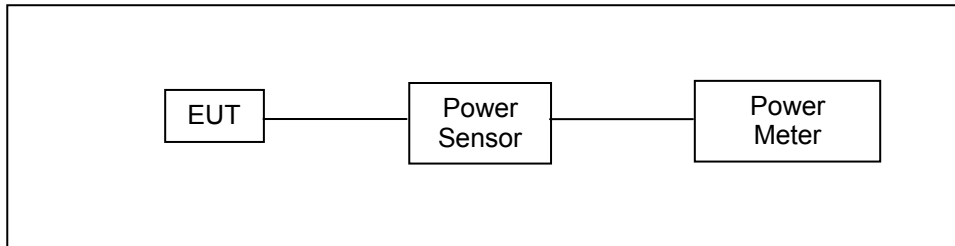
4 Measurement Procedure

4.1. Maximum Conducted Output Power Measurement

■ Limit

For frequency hopping systems operating in the 2400–2483.5 MHz band employing at least 75 non-overlapping hopping channels < 0.125 watt.

■ Test Setup



■ Test Procedure

Testing must be done according to this procedure, FCC Public Notice DA 00-705 - Filing and Measurement Guidelines for Frequency Hopping Spread Spectrum Systems. This is the only method recognized by the FCC. The tests below are run with the EUT's transmitter set at high power in TX mode. The EUT is needed to force selection of output power level and channel number. While testing, EUT was set to transmit continuously. Remove the Subjective device's antenna and connect the RF output port to power sensor. The maximum peak output power shall not exceed 1 watt.

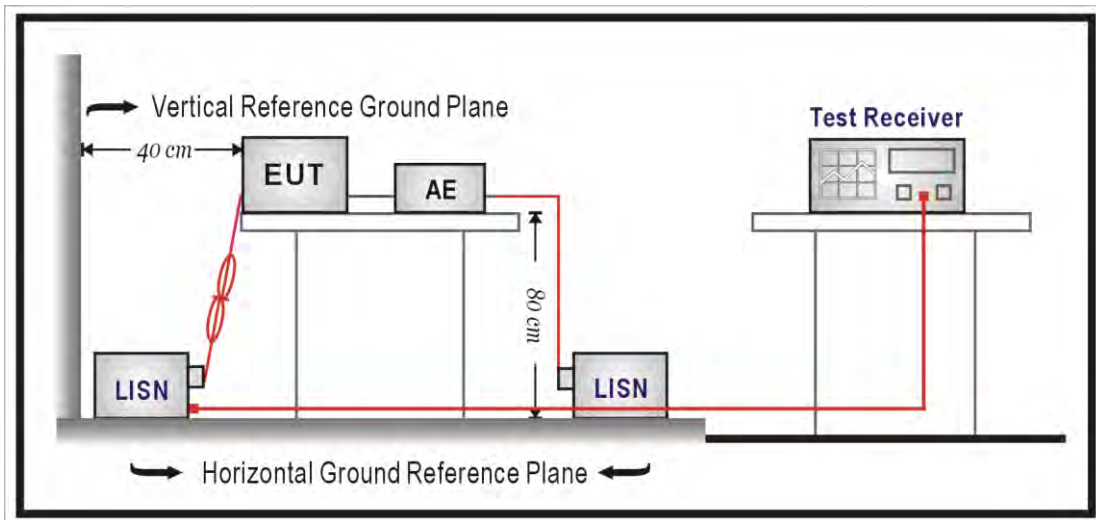
Use a direct connection between the antenna port of transmitter and the power sensor, for prevent the power sensor input attenuation 40-50 dB. Set the RBW Bandwidth of the emission or use a channel power meter mode. For antennas with gains of 6 dBi or less, maximum allowed transmitter output is 1 watt (+30 dBm). For antennas with gains greater than 6 dBi, transmitter output level must be decreased by an amount equal to $(\text{GAIN} - 6)/3$ dBm. The antenna port of the EUT was connected to the input of a power sensor. Power was read directly and cable loss correction was added to the reading to obtain power at the EUT antenna terminals.

4.2. AC Power Line Conducted Emission Measurement

■ Limit

Frequency (MHz)	Quasi-peak	Average
0.15 - 0.5	66 to 56	56 to 46
0.50 - 5.0	56	46
5.0 - 30.0	60	50

■ Test Setup



■ Test Procedure

The EUT and simulators are connected to the main power through a line impedance stabilization network (L.I.S.N.). This provides a $50\ \Omega // 50\ \mu\text{H}$ coupling impedance for the measuring equipment. The peripheral devices are also connected to the main power through a LISN that provides a $50\ \Omega // 50\ \mu\text{H}$ coupling impedance with 50ohm termination.

Tabletop device shall be placed on a non-conducting platform, of nominal size 1 m by 1.5 m, raised 80 cm above the reference ground plane. The wall of screened room shall be located 40cm to the rear of the EUT. Other surfaces of tabletop or floor standing EUT shall be at least 80cm from any other ground conducting surface including one or more LISNs. For floor-standing device shall be placed under the EUT with a 12mm insulating material.

Conducted emissions were investigated over the frequency range from 0.15 MHz to 30 MHz using a resolution bandwidth of 9 kHz. The equipment under test (EUT) shall be meet the limits in section 4.1, as applicable, including the average limit and the quasi-peak limit when using respectively, an average detector and quasi-peak detector measured in accordance with the methods described of related standard. When all of peak value were complied with quasi-peak and average limit from 150kHz to 30MHz then quasi-peak and average measurement was unnecessary.

The AMN shall be placed 0,8 m from the boundary of the unit under test and bonded to a ground reference plane for AMNs mounted on top of the ground reference plane. This distance is between the closest points of the AMN and the EUT. All other units of the EUT and associated equipment shall be at least 0,8 m from the AMN. If the mains power cable is longer than 1m then the cable shall be folded back and forth at the centre of the lead to form a bundle no longer than 0.4m. All of interconnecting cables that hang closer than 40cm to the ground plane shall be folded back and forth in the center forming a bundle 30 cm to 40 cm long. All of EUT and AE shall be separate place more than 0.1m. All $50\ \Omega$ ports of the LISN shall be resistively terminated into $50\ \Omega$ loads when not connected to the measuring instrument.

If the reading of the measuring receiver shows fluctuations close to the limit, the reading shall be observed for at least 15 s at each measurement frequency; the higher reading shall be recorded with the exception of any brief isolated high reading which shall be ignored.

4.3. Radiated Emission Measurement

■ Limit

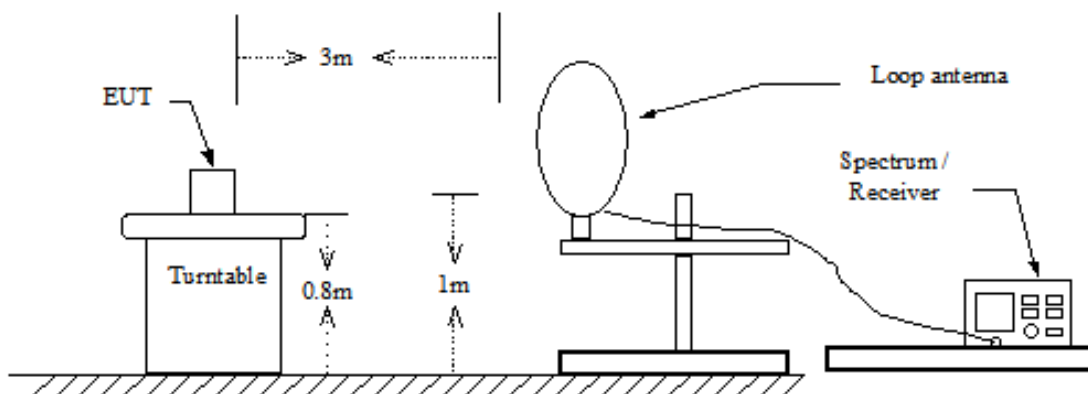
According to §15.209(a), except as provided elsewhere in this subpart, the emissions from an intentional radiator shall not exceed the field strength levels specified in the following table:

Frequency (MHz)	Field Strength ($\mu\text{V}/\text{m}$ at meter)	Measurement Distance (meters)
0.009 – 0.490	$2400 / F$ (kHz)	300
0.490 – 1.705	$24000 / F$ (kHz)	30
1.705 – 30.0	30	30
30 - 88	100^{**}	3
88-216	150^{**}	3
216-960	200^{**}	3
Above 960	500	3

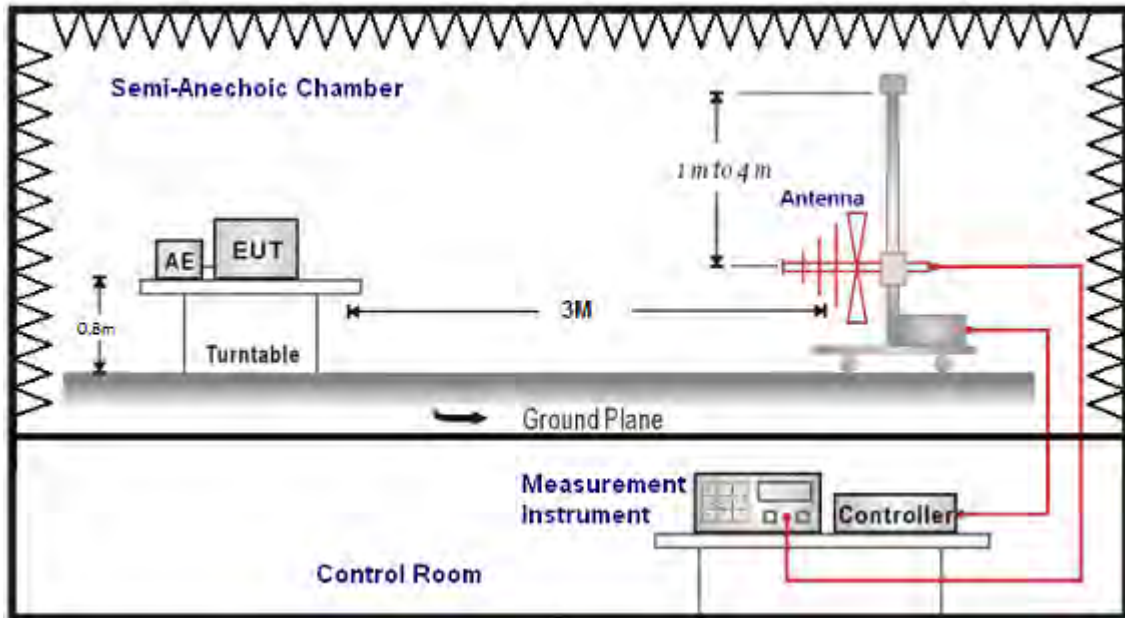
** Except as provided in paragraph (g), fundamental emissions from intentional radiators operating under this Section shall not be located in the frequency bands 54-72 MHz, 76-88 MHz, 174-216 MHz or 470-806 MHz. However, operation within these frequency bands is permitted under other sections of this Part, e.g., Sections 15.231 and 15.241.

■ Setup

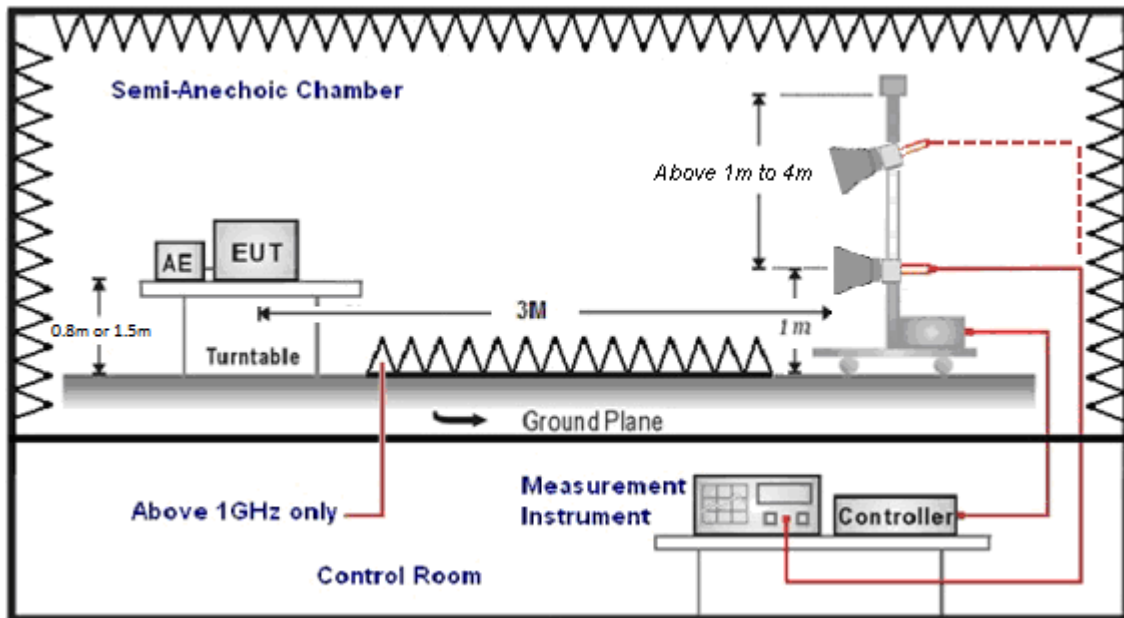
9kHz ~ 30MHz



Below 1GHz



Above 1GHz





■ Test Procedure

Final radiation measurements were made on a three-meter, Semi Anechoic Chamber. The EUT system was placed on a nonconductive turntable which is 0.8 or 1.5 meters height, top surface 1.0 x 1.5 meter. The spectrum was examined from 250 MHz to 2.5 GHz in order to cover the whole spectrum below 10th harmonic which could generate from the EUT. During the test, EUT was set to transmit continuously & Measurements spectrum range from 9 kHz to 26.5 GHz is investigated.

For measurements below 1 GHz the resolution bandwidth is set to 100 kHz for peak detection measurements or 120 kHz for quasi-peak detection measurements. Peak detection is used unless otherwise noted as quasi-peak.

For measurements above 1 GHz the resolution bandwidth is set to 1 MHz, and then the video bandwidth is set to 1 MHz for peak measurements and 10 Hz for average measurements.

A nonconductive material surrounded the EUT to supporting the EUT for standing on three orthogonal planes. At each condition, the EUT was rotated 360 degrees, and the antenna was raised and lowered from one to four meters to find the maximum emission levels. Measurements were taken using both horizontal and vertical antenna polarization.

SCHWARZBECK MESS-ELEKTRONIK Biconilog Antenna at 3 Meter and the SCHWARZBECK Double Ridged Guide Antenna was used in frequencies 1 – 26.5 GHz at a distance of 1 meter. All test results were extrapolated to equivalent signal at 3 meters utilizing an inverse linear distance extrapolation Factor (20dB/decade).

For testing above 1GHz, the emission level of the EUT in peak mode was 20dB lower than average limit (that means the emission level in peak mode also complies with the limit in average mode), then testing will be stopped and peak values of EUT will be reported, otherwise, the emissions will be measured in average mode again and reported.

Appropriate preamplifiers were used for improving sensitivity and precautions were taken to avoid overloading or desensitizing the spectrum analyzer. No post – detector video filters were used in the test.

The spectrum analyzer's 6 dB bandwidth was set to 1 MHz, and the analyzer was operated in the peak detection mode, for frequencies both below and up 1 GHz. The average levels were obtained by subtracting the duty cycle correction factor from the peak readings.

The following procedures were used to convert the emission levels measured in decibels referenced to 1 microvolt (dBuV) into field intensity in micro volts per meter (uV/m).

The actual field intensity in decibels referenced to 1 microvolt in to field intensity in micro volts per meter (dBuV/m).

The actual field intensity in referenced to 1 microvolt per meter (dBuV/m) is determined by algebraically adding the measured reading in dBuV, the antenna factor (dB), and cable loss (dB) and Subtracting the gain of preamplifier (dB) is auto calculate in spectrum analyzer.

$$(1) \text{ Amplitude (dBuV/m) = FI (dBuV) + AF (dBuV) + CL (dBuV) - Gain (dB)}$$

FI= Reading of the field intensity.

AF= Antenna factor.

CL= Cable loss.

P.S Amplitude is auto calculate in spectrum analyzer.

$$(2) \text{ Actual Amplitude (dBuV/m) = Amplitude (dBuV) - Dis(dB)}$$

The FCC specified emission limits were calculated according the EUT operating frequency and by following linear interpolation equations:

(a) For fundamental frequency : Transmitter Output < +30dBm

(b) For spurious frequency : Spurious emission limits = fundamental emission limit /10

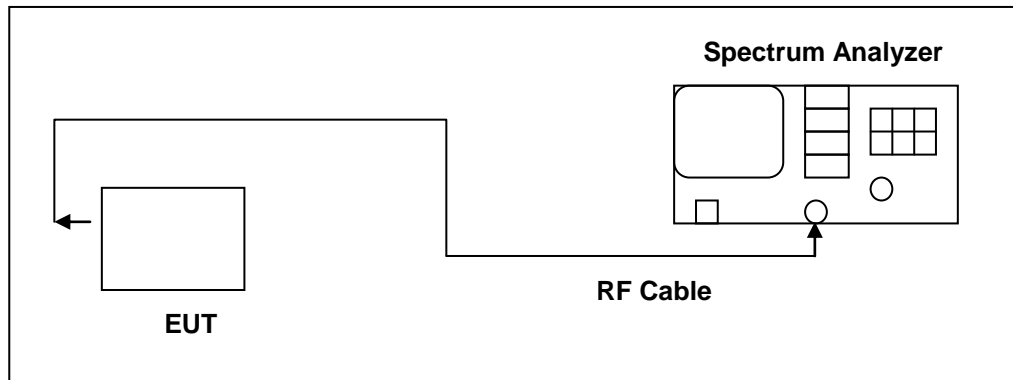
Data of measurement within this frequency range without mark in the table above means the reading of emissions are attenuated more than 20dB below the permissible limits or the field strength is too small to be measured.

4.4. 20dB RF Bandwidth Measurement

■ **Limit**

N/A

■ **Test Setup**



■ **Test Procedure**

Testing must be done according to this procedure, FCC Public Notice DA 00-705 - Filing and Measurement Guidelines for Frequency Hopping Spread Spectrum Systems. This is the only method recognized by the FCC. The RF output port of the Equipment-Under-Test is directly coupled to the input of the EMC analyzer through a specialized RF connector and a 10dB passive attenuator. A fully charged battery was used for the supply voltage. The Bluetooth frequency hopping function of the EUT was enabled. The spectrum analyzer used the following settings:

1. Span = approx. 2 to 3 times the 20dB bandwidth, centered on a hopping frequency
2. RBW \geq 1% of the 20dB span
3. VBW \geq RBW
4. Sweep = auto
5. Detector function = peak
6. Trace = max hold

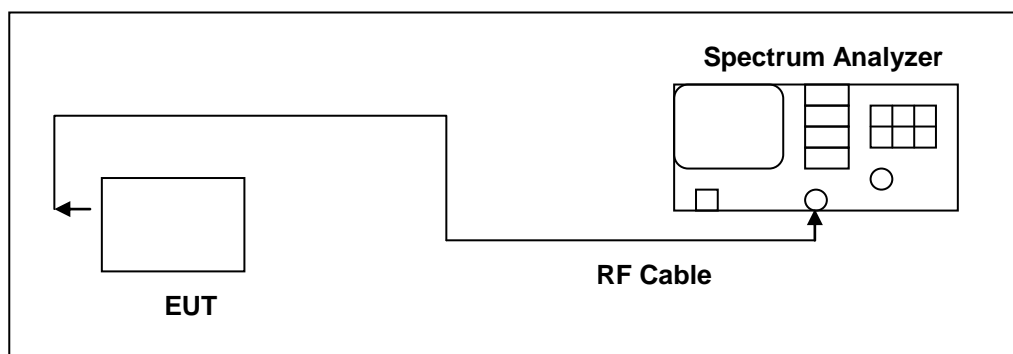
The trace was allowed to stabilize. The EUT was transmitting at its maximum data rate. The marker-to-peak function was used to set the marker to the peak of the emission. The marker-delta function was used to measure 20dB down one side of the emission. The marker-delta function and marker was moved to the other side of the emission until it was even with the reference marker. The marker-delta reading at this point was the 20dB bandwidth of the emission.

4.5. Carrier Frequency Separation Measurement

■ Limit

Title 47 of the CFR, Part 15 Subpart (c) 15.247(a)(1) requires the measurement of the bandwidth of the transmission between the -20 dB points on the transmitted spectrum. The results of this test determine the limits for channel spacing. The channel spacing shall be a minimum of 25 kHz or the 20 dB bandwidth, whichever is greater. Alternatively, frequency hopping systems operating in the 2400-2483.5 MHz band may have hopping channel carrier frequencies that are separated by 25 kHz or two-thirds of the 20 dB bandwidth of the hopping channel.

■ Test Setup



■ Test Procedure

Testing must be done according to this procedure, FCC Public Notice DA 00-705 - Filing and Measurement Guidelines for Frequency Hopping Spread Spectrum Systems. This is the only method recognized by the FCC. The RF output port of the Equipment-Under-Test is directly coupled to the input of the EMC analyzer through a specialized RF connector and a 10dB passive attenuator. A fully charged battery was used for the supply voltage. The Bluetooth frequency hopping function of the EUT was enabled. The following spectrum analyzer settings were used:

1. Span = wide enough to capture the peaks of two adjacent channels
2. Resolution (or IF) Bandwidth (RBW) \geq 1% of the span
3. Video (or Average) Bandwidth (VBW) \geq RBW
4. Sweep = auto
5. Detector function = peak
6. Trace = max hold

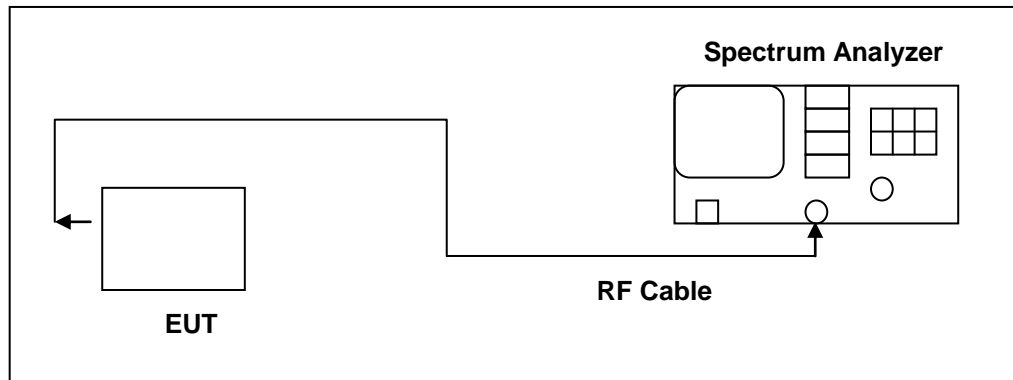
The trace was allowed to stabilize. The marker-delta function was used to determine the separation between the peaks of the adjacent channels.

4.6. Number of Hopping Measurement

■ Limit

Frequency hopping systems in the 2400–2483.5 MHz band shall use at least 15 channels.

■ Test Setup



■ Test Procedure

Testing must be done according to this procedure, FCC Public Notice DA 00-705 - Filing and Measurement Guidelines for Frequency Hopping Spread Spectrum Systems. This is the only method recognized by the FCC. The RF output port of the Equipment-Under-Test is directly coupled to the input of the EMC analyzer through a specialized RF connector and a 10dB passive attenuator. A fully charged battery was used for the supply voltage. The Bluetooth frequency hopping function of the EUT was enabled. The spectrum analyzer used the following settings:

1. Span = the frequency band of operation
2. RBW \geq 1% of the span
3. VBW \geq RBW
4. Sweep = auto
5. Detector function = peak
6. Trace = max hold

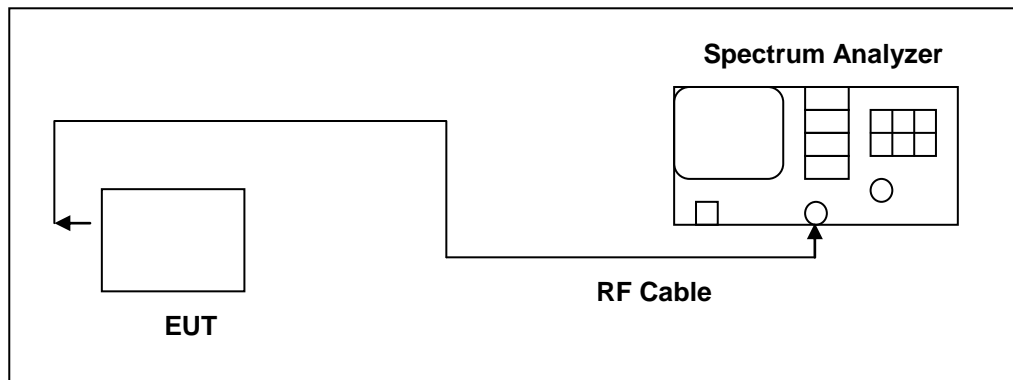
The trace was allowed to stabilize.

4.7. Time of Occupancy (Dwell Time) Measurement

■ Limit

The average time of occupancy on any channel shall not be greater than 0.4 seconds within a period of 0.4 seconds multiplied by the number of hopping channels employed.

■ Test Setup



■ Test Procedure

Testing must be done according to this procedure, FCC Public Notice DA 00-705 - Filing and Measurement Guidelines for Frequency Hopping Spread Spectrum Systems. This is the only method recognized by the FCC. The RF output port of the Equipment-Under-Test is directly coupled to the input of the spectrum through a specialized RF connector and a 10dB passive attenuator. A fully charged battery was used for the supply voltage. The Bluetooth hopping function of the EUT was enabled. The following spectrum analyzer settings were used:

1. Span = zero span, centered on a hopping channel
2. RBW = 1 MHz
3. VBW \geq RBW
4. Sweep = as necessary to capture the entire dwell time per hopping channel
5. Detector function = peak
6. Trace = max hold

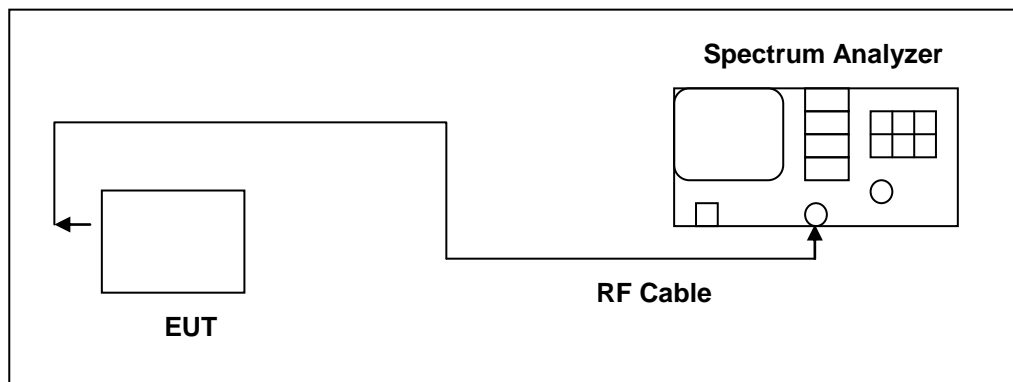
The marker-delta function was used to determine the dwell time.

4.8. Out of Band Conducted Emissions Measurement

■ Limit

In any 100 kHz bandwidth outside the frequency band in which the spread spectrum or digitally modulated intentional radiator is operating, the radio frequency power that is produced by the intentional radiator shall be at least 20 dB below that in the 100 kHz bandwidth within the band that contains the highest level of the desired power

■ Test Setup



■ Test Procedure

Testing must be done according to this procedure, FCC Public Notice DA 00-705 - Filing and Measurement Guidelines for Frequency Hopping Spread Spectrum Systems. This is the only method recognized by the FCC. In any 100 kHz bandwidth outside the EUT pass band, the RF power produced by the modulation products of the spreading sequence, the information sequence, and the carrier frequency shall be at least 20 dB below that of the maximum in-band 100 kHz emission, antenna output of the EUT was coupled directly to spectrum analyzer; if an external attenuator and/or cable was used, these losses are compensated for with the analyzer OFFSET function. All other types of emissions from the EUT shall meet the general limits for radiated frequencies outside the pass band. The test was performed at 3 channels (Channel 0, 39, 78)

4.9. Antenna Measurement

■ Limit

For intentional device, according to 15.203, an intentional radiator shall be designed to ensure that no antenna other than that furnished by the responsible party shall be used with the device.

And According to 15.247 (b)(4), if transmitting antennas of directional gain greater than 6 dBi are used, the power shall be reduced by the amount in dB that the directional gain of the antenna exceeds 6dBi.

■ Antenna Connector Construction

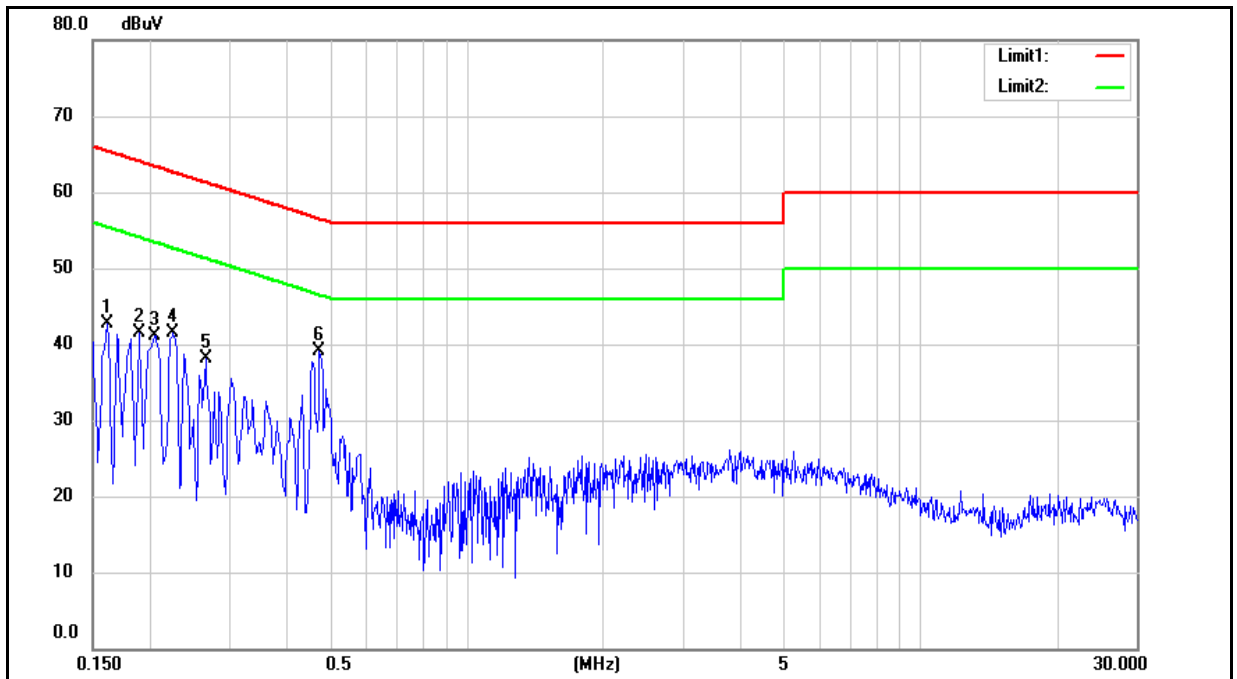
See section 2 – antenna information.



5 Test Results

Annex A. Conducted Emission

Standard:	FCC Part 15.247	Line:	L1
Test item:	Conducted Emission	Power:	AC 120V/60Hz
Test Mode:	Mode 1	Temp.(°C)/Hum.(%RH):	26(°C)/60%RH
Description:			



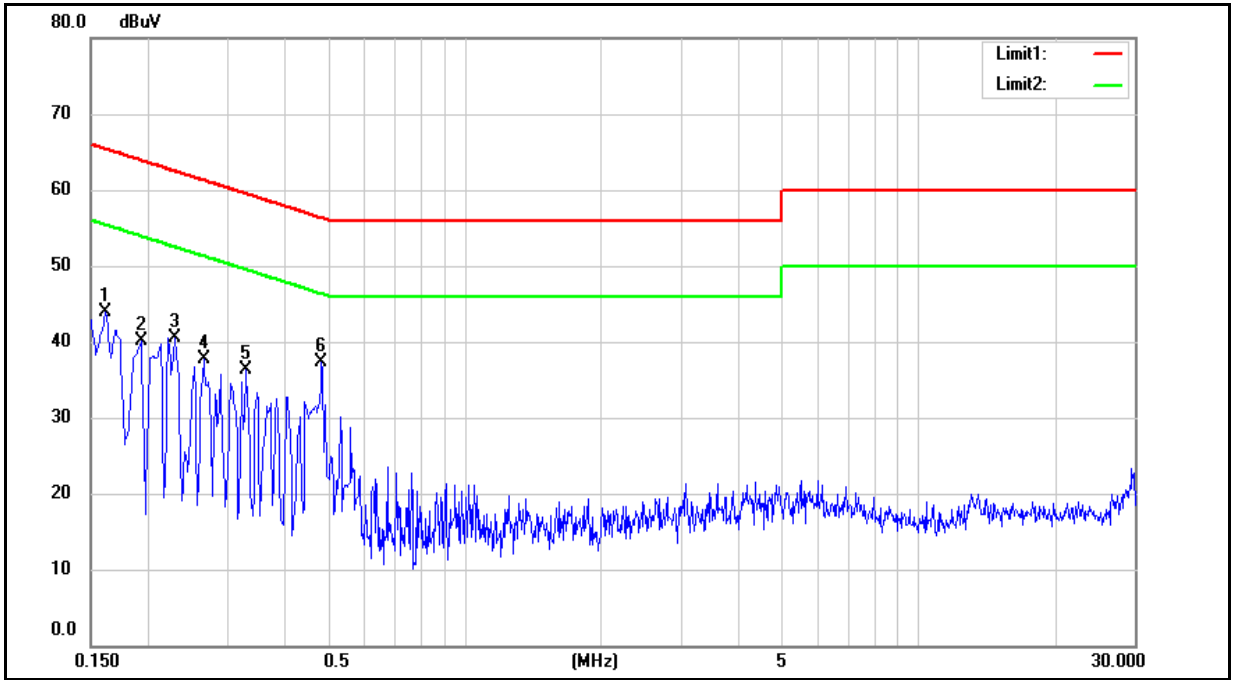
No.	Frequency (MHz)	QP reading (dBuV)	AVG reading (dBuV)	Correction factor (dB)	QP result (dBuV)	AVG result (dBuV)	QP limit (dBuV)	AVG limit (dBuV)	QP margin (dB)	AVG margin (dB)	Remark
1	0.1620	31.29	11.15	9.67	40.96	20.82	65.36	55.36	-24.40	-34.54	Pass
2	0.1900	29.82	10.45	9.68	39.50	20.13	64.04	54.04	-24.54	-33.91	Pass
3	0.2060	29.43	10.29	9.68	39.11	19.97	63.37	53.37	-24.26	-33.40	Pass
4	0.2260	27.44	8.68	9.68	37.12	18.36	62.60	52.60	-25.48	-34.24	Pass
5	0.2660	24.94	6.91	9.69	34.63	16.60	61.24	51.24	-26.61	-34.64	Pass
6	0.4740	27.13	15.83	9.68	36.81	25.51	56.44	46.44	-19.63	-20.93	Pass

Note: 1. Result (dBuV/m) = Correct Factor (dB/m) + Reading(dBuV).

2. Correction factor (dB) = Cable loss (dB) + L.I.S.N. factor (dB).



Standard:	FCC Part 15.247	Line:	N
Test item:	Conducted Emission	Power:	AC 120V/60Hz
Test Mode:	Mode 1	Temp.(°C)/Hum.(%RH):	26(°C)/60%RH
Description:			



No.	Frequency (MHz)	QP reading (dBuV)	AVG reading (dBuV)	Correction factor (dB)	QP result (dBuV)	AVG result (dBuV)	QP limit (dBuV)	AVG limit (dBuV)	QP margin (dB)	AVG margin (dB)	Remark
1	0.1620	30.98	9.77	9.69	40.67	19.46	65.36	55.36	-24.69	-35.90	Pass
2	0.1940	29.99	8.92	9.69	39.68	18.61	63.86	53.86	-24.18	-35.25	Pass
3	0.2300	27.26	7.14	9.69	36.95	16.83	62.45	52.45	-25.50	-35.62	Pass
4	0.2660	24.53	5.29	9.70	34.23	14.99	61.24	51.24	-27.01	-36.25	Pass
5	0.3300	21.49	4.51	9.71	31.20	14.22	59.45	49.45	-28.25	-35.23	Pass
6	0.4860	22.64	10.73	9.70	32.34	20.43	56.24	46.24	-23.90	-25.81	Pass

Note: 1. Result (dBuV/m) = Correct Factor (dB/m) + Reading(dBuV).

2. Correction factor (dB) = Cable loss (dB) + L.I.S.N. factor (dB).



Annex B. Conducted Test Results

Maximum Conducted Output Power Measurement

Test Mode	Frequency (MHz)	Packet Type	Average Power		Peak Power		Limit (W)
			(dBm)	(W)	(dBm)	(W)	
Mode 2	2402	DH1	-0.12	0.00097	3.38	0.00218	< 0.125
		DH3	-0.09	0.00098	3.41	0.00219	< 0.125
		DH5	-0.07	0.00098	3.43	0.00220	< 0.125
	2441	DH1	-0.29	0.00094	3.21	0.00209	< 0.125
		DH3	-0.26	0.00094	3.24	0.00211	< 0.125
		DH5	-0.25	0.00094	3.25	0.00211	< 0.125
	2480	DH1	-0.55	0.00088	2.95	0.00197	< 0.125
		DH3	-0.53	0.00089	2.97	0.00198	< 0.125
		DH5	-0.49	0.00089	3.01	0.00200	< 0.125
Mode 3	2402	2DH1	-0.75	0.00084	2.75	0.00188	< 0.125
		2DH3	-0.74	0.00084	2.76	0.00189	< 0.125
		2DH5	-0.68	0.00086	2.82	0.00191	< 0.125
	2441	2DH1	-0.55	0.00088	2.95	0.00197	< 0.125
		2DH3	-0.53	0.00089	2.97	0.00198	< 0.125
		2DH5	-0.50	0.00089	3.00	0.00200	< 0.125
	2480	2DH1	-0.85	0.00082	2.65	0.00184	< 0.125
		2DH3	-0.84	0.00082	2.66	0.00185	< 0.125
		2DH5	-0.83	0.00083	2.67	0.00185	< 0.125
Mode 4	2402	3DH1	-0.62	0.00087	2.88	0.00194	< 0.125
		3DH3	-0.61	0.00087	2.89	0.00195	< 0.125
		3DH5	-0.59	0.00087	2.91	0.00195	< 0.125
	2441	3DH1	-0.24	0.00095	3.26	0.00212	< 0.125
		3DH3	-0.20	0.00095	3.30	0.00214	< 0.125
		3DH5	-0.16	0.00096	3.34	0.00216	< 0.125
	2480	3DH1	-0.38	0.00092	3.12	0.00205	< 0.125
		3DH3	-0.37	0.00092	3.13	0.00206	< 0.125
		3DH5	-0.36	0.00092	3.14	0.00206	< 0.125

Note: The relevant measured result has the offset with cable loss already.



20dB RF Bandwidth Measurement

Test Mode	Frequency (MHz)	Measurement Results (MHz)
Mode 2	2402	0.99100
	2441	1.03200
	2480	1.02200
Mode 4	2402	1.29000
	2441	1.29900
	2480	1.29200



■ Test Graphs

Mode 2: GFSK Continuous TX mode	
2402 MHz	<p>Center Freq 2.40200000 GHz</p> <p>Center Freq 2.40200000 GHz</p> <p>Trig: Free Run</p> <p>Avg/Hold: >100/100</p> <p>Radio Std: None</p> <p>Radio Device: BTS</p> <p>10 dB/div Ref 10.00 dBm</p> <p>Center 2.402 GHz</p> <p>#Res BW 30 kHz</p> <p>#VBW 100 kHz</p> <p>Span 3 MHz</p> <p>Sweep 3.2 ms</p> <p>Occupied Bandwidth 907.55 kHz</p> <p>Total Power 2.74 dBm</p> <p>Transmit Freq Error 4.362 kHz</p> <p>% of OBW Power 99.00 %</p> <p>x dB Bandwidth 991.0 kHz</p> <p>x dB -20.00 dB</p> <p>MSG: (STATUS)</p>
2441 MHz	<p>Center Freq 2.44100000 GHz</p> <p>Center Freq 2.44100000 GHz</p> <p>Trig: Free Run</p> <p>Avg/Hold: >100/100</p> <p>Radio Std: None</p> <p>Radio Device: BTS</p> <p>10 dB/div Ref 10.00 dBm</p> <p>Center 2.441 GHz</p> <p>#Res BW 30 kHz</p> <p>#VBW 100 kHz</p> <p>Span 3 MHz</p> <p>Sweep 3.2 ms</p> <p>Occupied Bandwidth 903.43 kHz</p> <p>Total Power 3.49 dBm</p> <p>Transmit Freq Error 1.010 kHz</p> <p>% of OBW Power 99.00 %</p> <p>x dB Bandwidth 1.032 MHz</p> <p>x dB -20.00 dB</p> <p>MSG: (STATUS)</p>
2480 MHz	<p>Center Freq 2.48000000 GHz</p> <p>Center Freq 2.48000000 GHz</p> <p>Trig: Free Run</p> <p>Avg/Hold: >100/100</p> <p>Radio Std: None</p> <p>Radio Device: BTS</p> <p>10 dB/div Ref 10.00 dBm</p> <p>Center 2.48 GHz</p> <p>#Res BW 30 kHz</p> <p>#VBW 100 kHz</p> <p>Span 3 MHz</p> <p>Sweep 3.2 ms</p> <p>Occupied Bandwidth 909.18 kHz</p> <p>Total Power 1.91 dBm</p> <p>Transmit Freq Error 545 Hz</p> <p>% of OBW Power 99.00 %</p> <p>x dB Bandwidth 1.022 MHz</p> <p>x dB -20.00 dB</p> <p>MSG: (STATUS)</p>



Mode 4: 8DPSK Continuous TX mode	
2402 MHz	<p>Center Freq 2.40200000 GHz</p> <p>Center Freq: 2.40200000 GHz</p> <p>Trig: Free Run</p> <p>Avg/Hold: >100/100</p> <p>Radio Std: None</p> <p>Radio Device: BTS</p> <p>Ref 10.00 dBm</p> <p>Center 2.402 GHz</p> <p>#Res BW 30 kHz</p> <p>#VBW 100 kHz</p> <p>Span 3 MHz</p> <p>Sweep 3.2 ms</p> <p>Occupied Bandwidth 1.1915 MHz</p> <p>Total Power 2.15 dBm</p> <p>Transmit Freq Error 1.244 kHz</p> <p>% of OBW Power 99.00 %</p> <p>x dB Bandwidth 1.290 MHz</p> <p>x dB -20.00 dB</p>
2441 MHz	<p>Center Freq 2.44100000 GHz</p> <p>Center Freq: 2.44100000 GHz</p> <p>Trig: Free Run</p> <p>Avg/Hold: >100/100</p> <p>Radio Std: None</p> <p>Radio Device: BTS</p> <p>Ref 10.00 dBm</p> <p>Center 2.441 GHz</p> <p>#Res BW 30 kHz</p> <p>#VBW 100 kHz</p> <p>Span 3 MHz</p> <p>Sweep 3.2 ms</p> <p>Occupied Bandwidth 1.1969 MHz</p> <p>Total Power 3.05 dBm</p> <p>Transmit Freq Error -982 Hz</p> <p>% of OBW Power 99.00 %</p> <p>x dB Bandwidth 1.299 MHz</p> <p>x dB -20.00 dB</p>
2480 MHz	<p>Center Freq 2.48000000 GHz</p> <p>Center Freq: 2.48000000 GHz</p> <p>Trig: Free Run</p> <p>Avg/Hold: >100/100</p> <p>Radio Std: None</p> <p>Radio Device: BTS</p> <p>Ref 10.00 dBm</p> <p>Center 2.48 GHz</p> <p>#Res BW 30 kHz</p> <p>#VBW 100 kHz</p> <p>Span 3 MHz</p> <p>Sweep 3.2 ms</p> <p>Occupied Bandwidth 1.1980 MHz</p> <p>Total Power 0.24 dBm</p> <p>Transmit Freq Error -2.982 kHz</p> <p>% of OBW Power 99.00 %</p> <p>x dB Bandwidth 1.292 MHz</p> <p>x dB -20.00 dB</p>



Carrier Frequency Separation Measurement

Test Mode	Frequency (MHz)	Measurement Results (MHz)	Limit (MHz)
Mode 2	2402	1.000	> 0.661
	2441	1.000	> 0.688
	2480	1.000	> 0.681
Mode 4	2402	1.000	> 0.860
	2441	1.000	> 0.866
	2480	1.000	> 0.861



■ Test Graphs

Mode 2: GFSK Continuous TX mode																																					
2402 MHz	<table border="1"> <thead> <tr> <th>MKR</th> <th>MODE</th> <th>TRC</th> <th>SCL</th> <th>X</th> <th>Y</th> <th>FUNCTION</th> <th>FUNCTION WIDTH</th> <th>FUNCTION VALUE</th> </tr> </thead> <tbody> <tr> <td>1</td> <td>N</td> <td>1</td> <td>f</td> <td>2.402000 GHz</td> <td>-4.287 dBm</td> <td></td> <td></td> <td></td> </tr> <tr> <td>2</td> <td>N</td> <td>1</td> <td>f</td> <td>2.403000 GHz</td> <td>-3.961 dBm</td> <td></td> <td></td> <td></td> </tr> <tr> <td>3</td> <td>N</td> <td>1</td> <td>f</td> <td>2.404000 GHz</td> <td>-3.475 dBm</td> <td></td> <td></td> <td></td> </tr> </tbody> </table>	MKR	MODE	TRC	SCL	X	Y	FUNCTION	FUNCTION WIDTH	FUNCTION VALUE	1	N	1	f	2.402000 GHz	-4.287 dBm				2	N	1	f	2.403000 GHz	-3.961 dBm				3	N	1	f	2.404000 GHz	-3.475 dBm			
MKR	MODE	TRC	SCL	X	Y	FUNCTION	FUNCTION WIDTH	FUNCTION VALUE																													
1	N	1	f	2.402000 GHz	-4.287 dBm																																
2	N	1	f	2.403000 GHz	-3.961 dBm																																
3	N	1	f	2.404000 GHz	-3.475 dBm																																
2441 MHz	<table border="1"> <thead> <tr> <th>MKR</th> <th>MODE</th> <th>TRC</th> <th>SCL</th> <th>X</th> <th>Y</th> <th>FUNCTION</th> <th>FUNCTION WIDTH</th> <th>FUNCTION VALUE</th> </tr> </thead> <tbody> <tr> <td>1</td> <td>N</td> <td>1</td> <td>f</td> <td>2.440000 GHz</td> <td>-1.083 dBm</td> <td></td> <td></td> <td></td> </tr> <tr> <td>2</td> <td>N</td> <td>1</td> <td>f</td> <td>2.441000 GHz</td> <td>-4.132 dBm</td> <td></td> <td></td> <td></td> </tr> <tr> <td>3</td> <td>N</td> <td>1</td> <td>f</td> <td>2.442000 GHz</td> <td>-2.030 dBm</td> <td></td> <td></td> <td></td> </tr> </tbody> </table>	MKR	MODE	TRC	SCL	X	Y	FUNCTION	FUNCTION WIDTH	FUNCTION VALUE	1	N	1	f	2.440000 GHz	-1.083 dBm				2	N	1	f	2.441000 GHz	-4.132 dBm				3	N	1	f	2.442000 GHz	-2.030 dBm			
MKR	MODE	TRC	SCL	X	Y	FUNCTION	FUNCTION WIDTH	FUNCTION VALUE																													
1	N	1	f	2.440000 GHz	-1.083 dBm																																
2	N	1	f	2.441000 GHz	-4.132 dBm																																
3	N	1	f	2.442000 GHz	-2.030 dBm																																
2480 MHz	<table border="1"> <thead> <tr> <th>MKR</th> <th>MODE</th> <th>TRC</th> <th>SCL</th> <th>X</th> <th>Y</th> <th>FUNCTION</th> <th>FUNCTION WIDTH</th> <th>FUNCTION VALUE</th> </tr> </thead> <tbody> <tr> <td>1</td> <td>N</td> <td>1</td> <td>f</td> <td>2.478000 GHz</td> <td>-1.761 dBm</td> <td></td> <td></td> <td></td> </tr> <tr> <td>2</td> <td>N</td> <td>1</td> <td>f</td> <td>2.479000 GHz</td> <td>-3.620 dBm</td> <td></td> <td></td> <td></td> </tr> <tr> <td>3</td> <td>N</td> <td>1</td> <td>f</td> <td>2.480000 GHz</td> <td>-1.152 dBm</td> <td></td> <td></td> <td></td> </tr> </tbody> </table>	MKR	MODE	TRC	SCL	X	Y	FUNCTION	FUNCTION WIDTH	FUNCTION VALUE	1	N	1	f	2.478000 GHz	-1.761 dBm				2	N	1	f	2.479000 GHz	-3.620 dBm				3	N	1	f	2.480000 GHz	-1.152 dBm			
MKR	MODE	TRC	SCL	X	Y	FUNCTION	FUNCTION WIDTH	FUNCTION VALUE																													
1	N	1	f	2.478000 GHz	-1.761 dBm																																
2	N	1	f	2.479000 GHz	-3.620 dBm																																
3	N	1	f	2.480000 GHz	-1.152 dBm																																



Mode 4: 8DPSK Continuous TX mode																																					
2402 MHz	<p>Center Freq 2.40300000 GHz</p> <p>Mkr3 2.404 000 GHz -4.609 dBm</p> <table border="1"> <thead> <tr> <th>MKR</th> <th>MODE</th> <th>TRC</th> <th>SCL</th> <th>X</th> <th>Y</th> <th>FUNCTION</th> <th>FUNCTION WIDTH</th> <th>FUNCTION VALUE</th> </tr> </thead> <tbody> <tr> <td>1</td> <td>N</td> <td>1</td> <td>f</td> <td>2.402 000 GHz</td> <td>-9.712 dBm</td> <td></td> <td></td> <td></td> </tr> <tr> <td>2</td> <td>N</td> <td>1</td> <td>f</td> <td>2.403 000 GHz</td> <td>-7.617 dBm</td> <td></td> <td></td> <td></td> </tr> <tr> <td>3</td> <td>N</td> <td>1</td> <td>f</td> <td>2.404 000 GHz</td> <td>-4.609 dBm</td> <td></td> <td></td> <td></td> </tr> </tbody> </table>	MKR	MODE	TRC	SCL	X	Y	FUNCTION	FUNCTION WIDTH	FUNCTION VALUE	1	N	1	f	2.402 000 GHz	-9.712 dBm				2	N	1	f	2.403 000 GHz	-7.617 dBm				3	N	1	f	2.404 000 GHz	-4.609 dBm			
MKR	MODE	TRC	SCL	X	Y	FUNCTION	FUNCTION WIDTH	FUNCTION VALUE																													
1	N	1	f	2.402 000 GHz	-9.712 dBm																																
2	N	1	f	2.403 000 GHz	-7.617 dBm																																
3	N	1	f	2.404 000 GHz	-4.609 dBm																																
2441 MHz	<p>Center Freq 2.44100000 GHz</p> <p>Mkr3 2.442 000 GHz -3.095 dBm</p> <table border="1"> <thead> <tr> <th>MKR</th> <th>MODE</th> <th>TRC</th> <th>SCL</th> <th>X</th> <th>Y</th> <th>FUNCTION</th> <th>FUNCTION WIDTH</th> <th>FUNCTION VALUE</th> </tr> </thead> <tbody> <tr> <td>1</td> <td>N</td> <td>1</td> <td>f</td> <td>2.440 000 GHz</td> <td>-2.269 dBm</td> <td></td> <td></td> <td></td> </tr> <tr> <td>2</td> <td>N</td> <td>1</td> <td>f</td> <td>2.441 000 GHz</td> <td>-2.872 dBm</td> <td></td> <td></td> <td></td> </tr> <tr> <td>3</td> <td>N</td> <td>1</td> <td>f</td> <td>2.442 000 GHz</td> <td>-3.095 dBm</td> <td></td> <td></td> <td></td> </tr> </tbody> </table>	MKR	MODE	TRC	SCL	X	Y	FUNCTION	FUNCTION WIDTH	FUNCTION VALUE	1	N	1	f	2.440 000 GHz	-2.269 dBm				2	N	1	f	2.441 000 GHz	-2.872 dBm				3	N	1	f	2.442 000 GHz	-3.095 dBm			
MKR	MODE	TRC	SCL	X	Y	FUNCTION	FUNCTION WIDTH	FUNCTION VALUE																													
1	N	1	f	2.440 000 GHz	-2.269 dBm																																
2	N	1	f	2.441 000 GHz	-2.872 dBm																																
3	N	1	f	2.442 000 GHz	-3.095 dBm																																
2480 MHz	<p>Center Freq 2.47900000 GHz</p> <p>Mkr3 2.480 000 GHz -9.286 dBm</p> <table border="1"> <thead> <tr> <th>MKR</th> <th>MODE</th> <th>TRC</th> <th>SCL</th> <th>X</th> <th>Y</th> <th>FUNCTION</th> <th>FUNCTION WIDTH</th> <th>FUNCTION VALUE</th> </tr> </thead> <tbody> <tr> <td>1</td> <td>N</td> <td>1</td> <td>f</td> <td>2.478 000 GHz</td> <td>-10.560 dBm</td> <td></td> <td></td> <td></td> </tr> <tr> <td>2</td> <td>N</td> <td>1</td> <td>f</td> <td>2.479 000 GHz</td> <td>-9.763 dBm</td> <td></td> <td></td> <td></td> </tr> <tr> <td>3</td> <td>N</td> <td>1</td> <td>f</td> <td>2.480 000 GHz</td> <td>-9.286 dBm</td> <td></td> <td></td> <td></td> </tr> </tbody> </table>	MKR	MODE	TRC	SCL	X	Y	FUNCTION	FUNCTION WIDTH	FUNCTION VALUE	1	N	1	f	2.478 000 GHz	-10.560 dBm				2	N	1	f	2.479 000 GHz	-9.763 dBm				3	N	1	f	2.480 000 GHz	-9.286 dBm			
MKR	MODE	TRC	SCL	X	Y	FUNCTION	FUNCTION WIDTH	FUNCTION VALUE																													
1	N	1	f	2.478 000 GHz	-10.560 dBm																																
2	N	1	f	2.479 000 GHz	-9.763 dBm																																
3	N	1	f	2.480 000 GHz	-9.286 dBm																																



Number of Hopping Measurement

Test Mode	Frequency Range (MHz)	Measurement Results (Ch)	Limit (ch)
Mode 2	2402 - 2480	79	> 15
Mode 3	2402 - 2480	79	> 15
Mode 4	2402 - 2480	79	> 15

■ Test Graphs

Mode 2: GFSK Continuous TX mode	
CH0~CH39	<p>Key parameters for CH0~CH39:</p> <ul style="list-style-type: none"> Start Freq: 2.400000000 GHz Stop Freq: 2.441500000 GHz Center Freq: 2.420750000 GHz Res BW: 1.0 MHz VBW: 1.0 MHz Sweep: 1.000 ms (1001 pts)
CH40~CH78	<p>Key parameters for CH40~CH78:</p> <ul style="list-style-type: none"> Start Freq: 2.441500000 GHz Stop Freq: 2.483500000 GHz Center Freq: 2.462500000 GHz Res BW: 1.0 MHz VBW: 1.0 MHz Sweep: 1.000 ms (1001 pts)

Mode 4: 8DPSK Continuous TX mode	
CH0~CH39	<p>Key parameters for CH0~CH39:</p> <ul style="list-style-type: none"> Start Freq: 2.400000000 GHz Stop Freq: 2.441500000 GHz Center Freq: 2.420750000 GHz Res BW: 1.0 MHz VBW: 1.0 MHz Sweep: 1.000 ms (1001 pts)
CH40~CH78	<p>Key parameters for CH40~CH78:</p> <ul style="list-style-type: none"> Start Freq: 2.441500000 GHz Stop Freq: 2.483500000 GHz Center Freq: 2.462500000 GHz Res BW: 1.0 MHz VBW: 1.0 MHz Sweep: 1.000 ms (1001 pts)



Time of Occupancy (Dwell Time) Measurement

Mode 2: GFSK Continuous TX mode	
DH1	
Cycle Calculate	$79CH * 0.4 = 31.6 \text{ (sec)}$
The EUT Hopping Number per Sec	1600 times/sec
Each Channel Dwell Times per Sec	$800/79CH = 10.13(\text{times/sec})$
Each Channel Dwell Times on Cycle(1)	$31.6 * 10.13 = 320.108(\text{times})$
Each Channel Dwell Times (2)	0.410 ms (sec)
Dwell Times on Cycle (1) * (2)	131.2443 ms (sec)
LIMIT(msec)	$< = 400$
DH3	
Cycle Calculate	$79CH * 0.4 = 31.6 \text{ (sec)}$
The EUT Hopping Number per Sec	1600 times/sec
Each Channel Dwell Times per Sec	$400/79CH = 5.1(\text{times/sec})$
Each Channel Dwell Times on Cycle(1)	$31.6 * 5.1 = 161.16(\text{times})$
Each Channel Dwell Times (2)	1.660 ms (sec)
Dwell Times on Cycle (1) * (2)	265.4274 ms (sec)
LIMIT(msec)	$< = 400$
DH5	
Cycle Calculate	$79CH * 0.4 = 31.6 \text{ (sec)}$
The EUT Hopping Number per Sec	1600 times/sec
Each Channel Dwell Times per Sec	$266.7/79CH = 3.37(\text{times/sec})$
Each Channel Dwell Times on Cycle(1)	$31.6 * 3.37 = 106.492(\text{times})$
Each Channel Dwell Times (2)	2.910 ms (sec)
Dwell Times on Cycle (1) * (2)	310.8113 ms (sec)
LIMIT(msec)	$< = 400$



Mode 4: 8DPSK Continuous TX mode	
3DH1	
Cycle Calculate	$79CH * 0.4 = 31.6 \text{ (sec)}$
The EUT Hopping Number per Sec	1600 times/sec
Each Channel Dwell Times per Sec	$800/79CH = 10.13(\text{times/sec})$
Each Channel Dwell Times on Cycle(1)	$31.6 * 10.13 = 320.108(\text{times})$
Each Channel Dwell Times (2)	0.410 ms (sec)
Dwell Times on Cycle (1) * (2)	131.2443 ms (sec)
LIMIT(msec)	$< = 400$
3DH3	
Cycle Calculate	$79CH * 0.4 = 31.6 \text{ (sec)}$
The EUT Hopping Number per Sec	1600 times/sec
Each Channel Dwell Times per Sec	$400/79CH = 5.1(\text{times/sec})$
Each Channel Dwell Times on Cycle(1)	$31.6 * 5.1 = 161.16(\text{times})$
Each Channel Dwell Times (2)	1.660 ms (sec)
Dwell Times on Cycle (1) * (2)	265.4274 ms (sec)
LIMIT(msec)	$< = 400$
3DH5	
Cycle Calculate	$79CH * 0.4 = 31.6 \text{ (sec)}$
The EUT Hopping Number per Sec	1600 times/sec
Each Channel Dwell Times per Sec	$266.7/79CH = 3.37(\text{times/sec})$
Each Channel Dwell Times on Cycle(1)	$31.6 * 3.37 = 106.492(\text{times})$
Each Channel Dwell Times (2)	2.910 ms (sec)
Dwell Times on Cycle (1) * (2)	310.8113 ms (sec)
LIMIT(msec)	$< = 400$



■ Test Graphs

Mode 2: GFSK Continuous TX mode	
DH1	
DH3	
DH5	



Mode 4: 8DPSK Continuous TX mode	
3DH1	<p>Center Freq 2.402000000 GHz Ref Offset 0.5 dB Ref 10.00 dBm ΔMkr1 410.0 μs -0.63 dB Center 2.402000000 GHz Res BW 1.0 MHz VBW 1.0 MHz Sweep 10.00 ms (1001 pts)</p>
3DH3	<p>Center Freq 2.402000000 GHz Ref Offset 0.5 dB Ref 10.00 dBm ΔMkr1 1.660 ms 0.52 dB Center 2.402000000 GHz Res BW 1.0 MHz VBW 1.0 MHz Sweep 10.00 ms (1001 pts)</p>
3DH5	<p>Center Freq 2.402000000 GHz Ref Offset 0.5 dB Ref 10.00 dBm ΔMkr1 2.910 ms 1.33 dB Center 2.402000000 GHz Res BW 1.0 MHz VBW 1.0 MHz Sweep 10.00 ms (1001 pts)</p>



Note 1 : The frequency hopping signal will appear randomly in the channels of CH00~CH78.

(Hopping sequence channels 22 – 37 – 62 – 70 – 05 – 45 – 66 – 10 – etc).

Note 2 : That each new transmission event begins on the next channel in the hopping sequence after the final channel used in the previous transmission event.

The each frequency is used equally on the average by each transmitter.

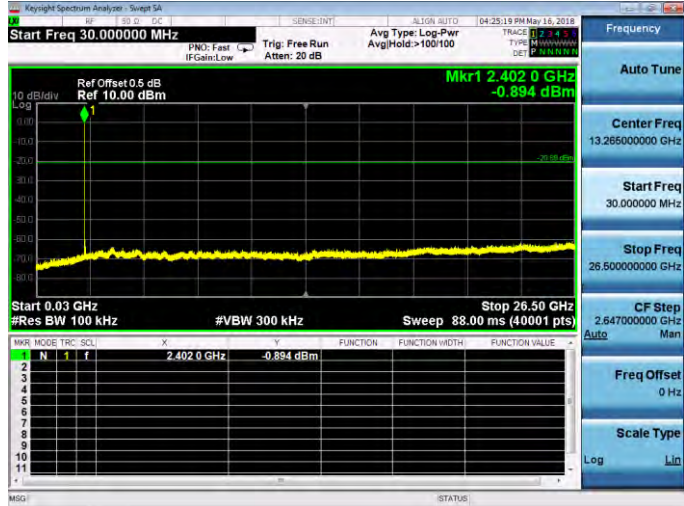
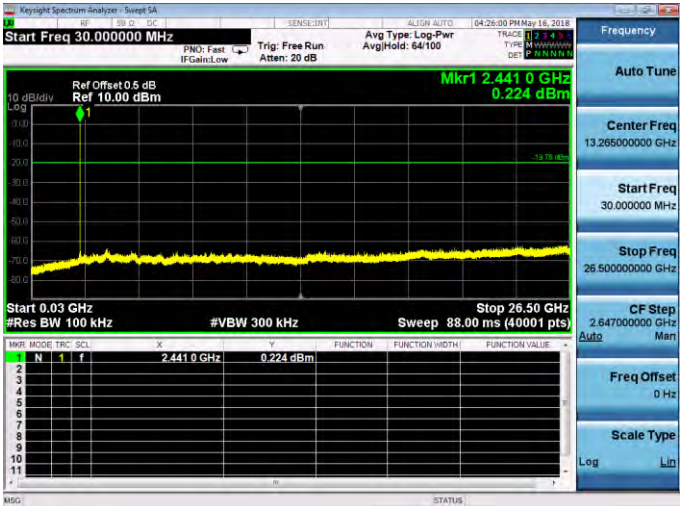
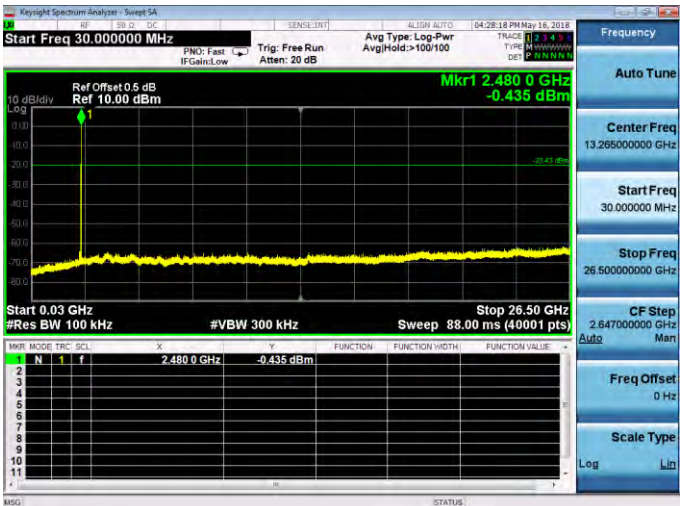
Note 3 : The system receivers have input bandwidths that match the hopping channel bandwidths of their corresponding transmitters and shift frequencies in synchronization with the transmitted signals.

Note 4 : The Device is compliance with Part 15.247 (g) and (h) sections.



Out of Band Conducted Emissions Measurement

■ Test Graphs

Mode 2: GFSK Continuous TX mode	
2402 MHz	 <p>Key parameters from the screenshot:</p> <ul style="list-style-type: none">Start Freq: 30.000000 MHzStop Freq: 26.500000000 GHzCenter Freq: 13.265000000 GHzMkr1: 2.402 0 GHz, -0.894 dBmRef Offset: 0.5 dB, Ref: 10.00 dBmResolution Bandwidth (#Res BW): 100 kHzSweep: 88.00 ms (40001 pts)
2441 MHz	 <p>Key parameters from the screenshot:</p> <ul style="list-style-type: none">Start Freq: 30.000000 MHzStop Freq: 26.500000000 GHzCenter Freq: 13.265000000 GHzMkr1: 2.441 0 GHz, 0.224 dBmRef Offset: 0.5 dB, Ref: 10.00 dBmResolution Bandwidth (#Res BW): 100 kHzSweep: 88.00 ms (40001 pts)
2480 MHz	 <p>Key parameters from the screenshot:</p> <ul style="list-style-type: none">Start Freq: 30.000000 MHzStop Freq: 26.500000000 GHzCenter Freq: 13.265000000 GHzMkr1: 2.480 0 GHz, -0.435 dBmRef Offset: 0.5 dB, Ref: 10.00 dBmResolution Bandwidth (#Res BW): 100 kHzSweep: 88.00 ms (40001 pts)

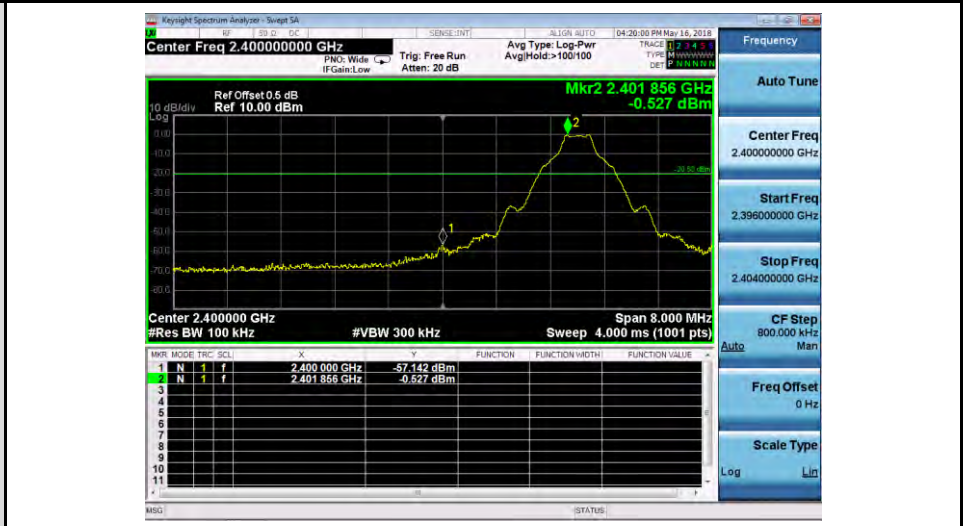


Mode 4: 8DPSK Continuous TX mode	
2402 MHz	
2441 MHz	
2480 MHz	

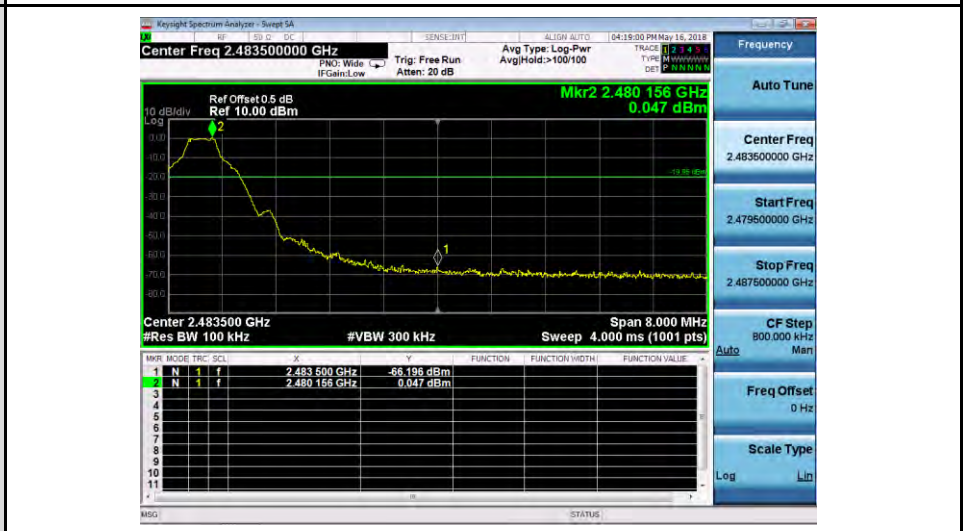


Mode 2: GFSK Continuous TX mode _ Un-hopping

2402 MHz



2480 MHz



Mode 2: GFSK Continuous TX mode _ Hopping

2402 ~ 2480 MHz





Mode 4: 8DPSK Continuous TX mode _ Un-hopping

2402 MHz

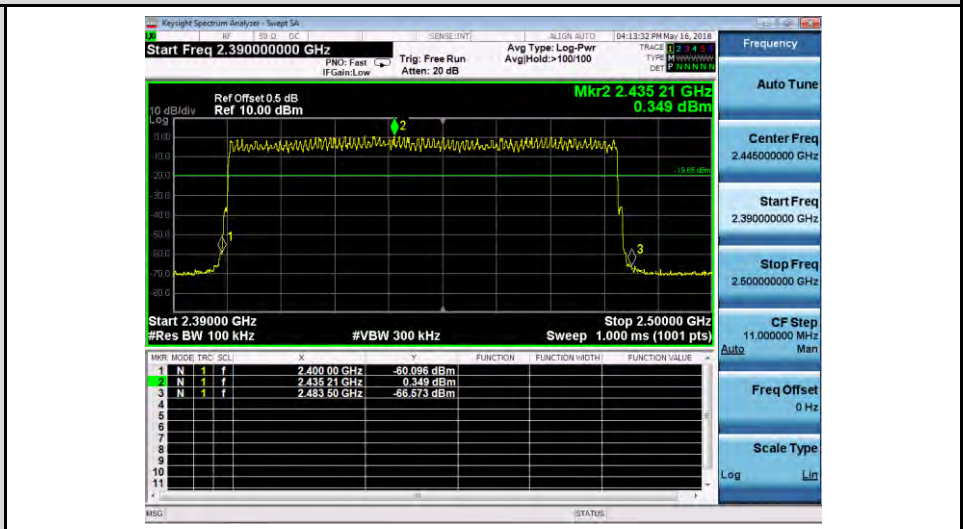


2480 MHz



Mode 4: 8DPSK Continuous TX mode _ Hopping

2402 ~ 2480 MHz





Annex C. Radiated Emission Measurement

Harmonic

Below 1GHz

Standard:		FCC Part 15.247		Test Distance:		3m	
Test item:		Harmonic		Power:		AC 120V/60Hz	
Test Mode:		Mode 1		Temp.(°C)/Hum.(%RH):		26(°C)/60%RH	
Frequency (MHz)	Reading (dBuV)	Correct Factor (dB/m)	Result (dBuV/m)	Limit (dBuV/m)	Margin (dB)	Remark	Ant.Polar. H / V
245.3400	53.07	-12.32	40.75	46.00	-5.25	QP	H
294.8100	53.88	-10.38	43.50	46.00	-2.50	QP	H
344.2800	47.89	-9.24	38.65	46.00	-7.35	QP	H
392.7800	51.51	-7.37	44.14	46.00	-1.86	QP	H
442.2500	43.97	-6.37	37.60	46.00	-8.40	QP	H
491.7200	39.55	-5.29	34.26	46.00	-11.74	QP	H
245.3400	48.75	-12.32	36.43	46.00	-9.57	QP	V
294.8100	44.52	-10.38	34.14	46.00	-11.86	QP	V
392.7800	47.10	-7.37	39.73	46.00	-6.27	QP	V
442.2500	43.98	-6.37	37.61	46.00	-8.39	QP	V
491.7200	40.21	-5.29	34.92	46.00	-11.08	QP	V
589.6900	42.45	-3.52	38.93	46.00	-7.07	QP	V

Note:1.Result (dBuV/m) = Correct Factor (dB/m) + Reading(dBuV).

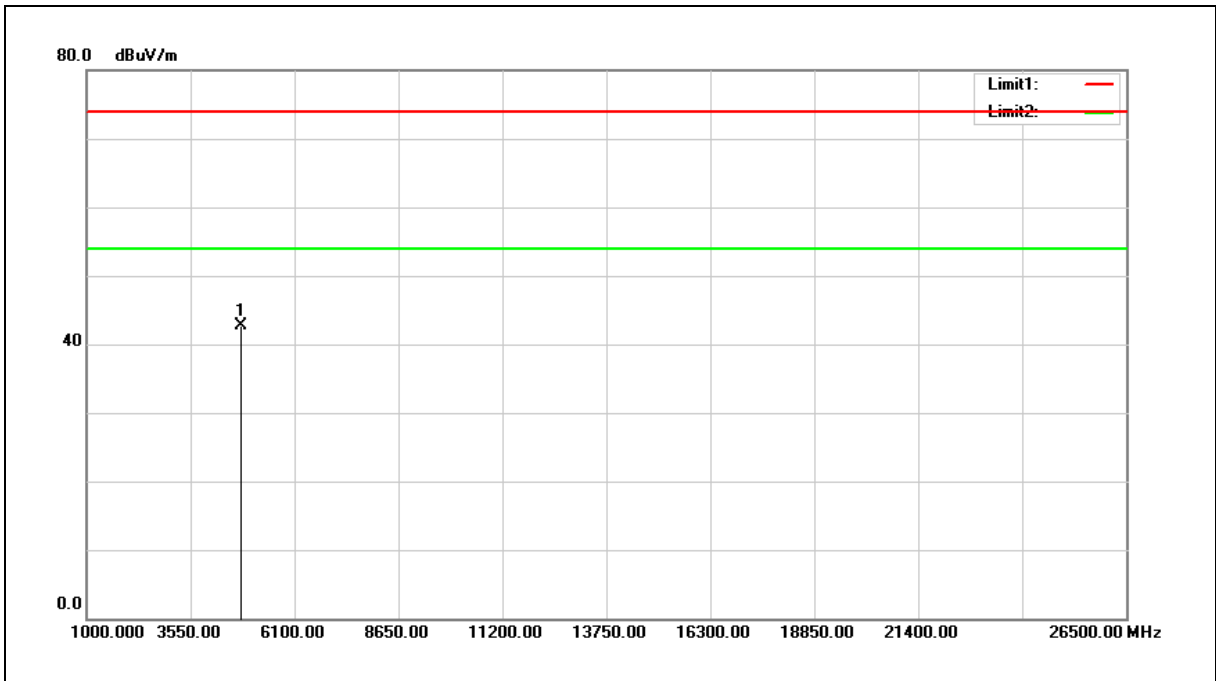
2.Correction factor (dB/m) = Antenna Factor (dB/m) + Cable loss (dB) – Pre-Amplifier gain (dB).

3.When the peak results are less than average limit, so not need to evaluate the average.



Above 1GHz

Standard:	FCC Part 15.247	Test Distance:	3m
Test item:	Harmonic	Power:	AC 120V/60Hz
Frequency:	2402MHz	Temp.(°C)/Hum. (%RH):	26(°C)/60%RH
Mode:	Mode 2		
Ant.Polar.:	Horizontal		

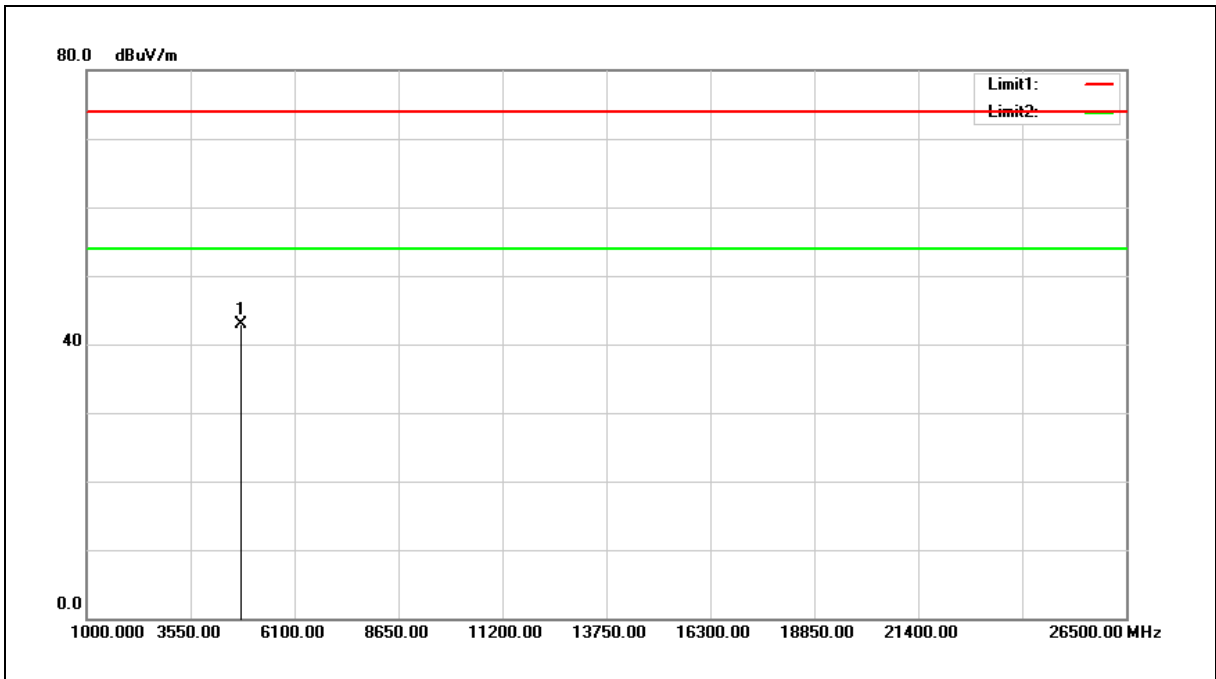


No.	Frequency (MHz)	Reading (dBuV)	Correct Factor (dB/m)	Result (dBuV/m)	Limit (dBuV/m)	Margin (dB)	Remark
1	4804.000	47.13	-4.35	42.78	74.00	-31.22	peak

- Note: 1.Result (dBuV/m) = Correct Factor (dB/m) + Reading(dBuV).
 2.Correction factor (dB/m) = Antenna Factor (dB/m) + Cable loss (dB) – Pre-Amplifier gain (dB).
 3.When the peak results are less than average limit, so not need to evaluate the average.



Standard:	FCC Part 15.247	Test Distance:	3m
Test item:	Harmonic	Power:	AC 120V/60Hz
Frequency:	2402MHz	Temp.(°C)/Hum.(%RH):	26(°C)/60%RH
Mode:	Mode 2		
Ant.Polar.:	Vertical		



No.	Frequency (MHz)	Reading (dBuV)	Correct Factor (dB/m)	Result (dBuV/m)	Limit (dBuV/m)	Margin (dB)	Remark
1	4804.000	47.16	-4.35	42.81	74.00	-31.19	peak

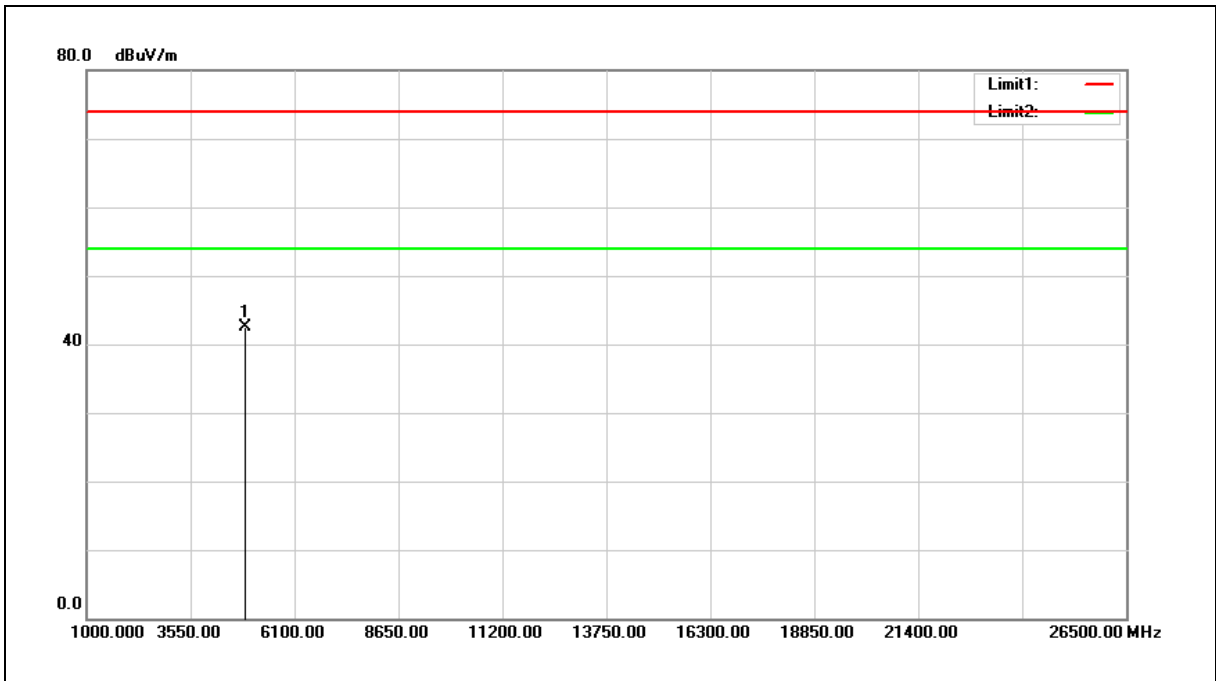
Note:1.Result (dBuV/m) = Correct Factor (dB/m) + Reading(dBuV).

2.Correction factor (dB/m) = Antenna Factor (dB/m) + Cable loss (dB) – Pre-Amplifier gain (dB).

3.When the peak results are less than average limit, so not need to evaluate the average.



Standard:	FCC Part 15.247	Test Distance:	3m
Test item:	Harmonic	Power:	AC 120V/60Hz
Frequency:	2441MHz	Temp.(°C)/Hum.(%RH):	26(°C)/60%RH
Mode:	Mode 2		
Ant.Polar.:	Horizontal		



No.	Frequency (MHz)	Reading (dBuV)	Correct Factor (dB/m)	Result (dBuV/m)	Limit (dBuV/m)	Margin (dB)	Remark
1	4882.000	46.79	-4.37	42.42	74.00	-31.58	peak

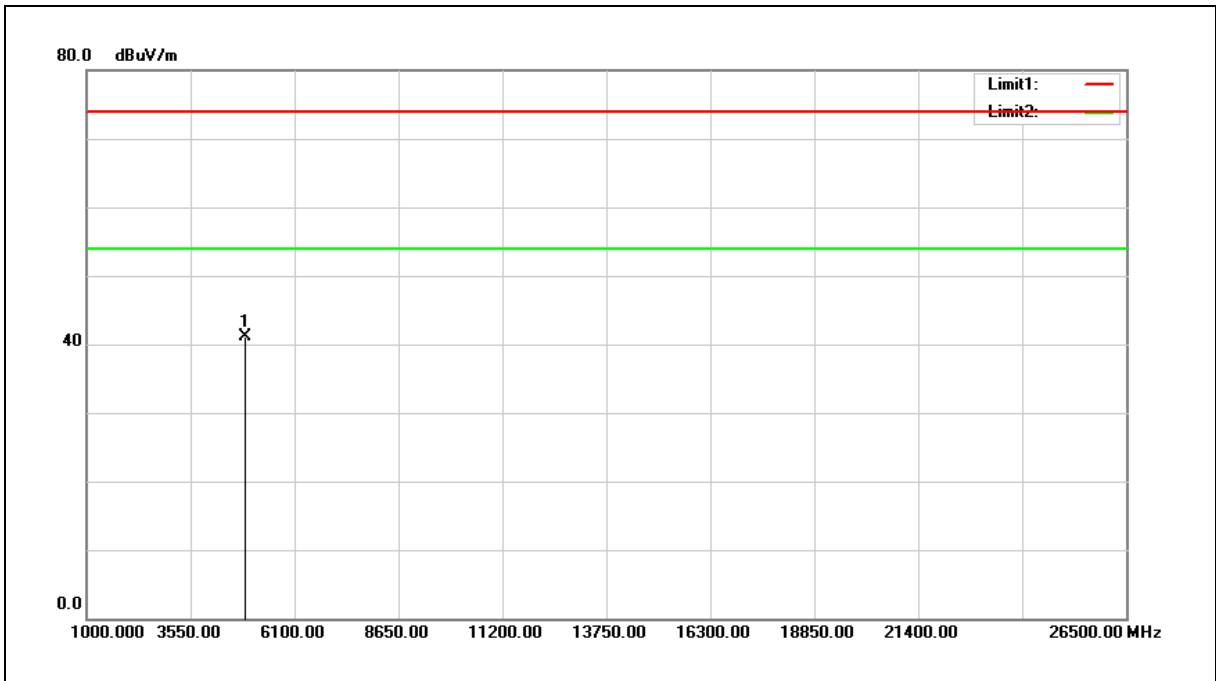
Note:1.Result (dBuV/m) = Correct Factor (dB/m) + Reading(dBuV).

2.Correction factor (dB/m) = Antenna Factor (dB/m) + Cable loss (dB) – Pre-Amplifier gain (dB).

3.When the peak results are less than average limit, so not need to evaluate the average.



Standard:	FCC Part 15.247	Test Distance:	3m
Test item:	Harmonic	Power:	AC 120V/60Hz
Frequency:	2441MHz	Temp.(°C)/Hum.(%RH):	26(°C)/60%RH
Mode:	Mode 2		
Ant.Polar.:	Vertical		



No.	Frequency (MHz)	Reading (dBuV)	Correct Factor (dB/m)	Result (dBuV/m)	Limit (dBuV/m)	Margin (dB)	Remark
1	4882.000	45.43	-4.37	41.06	74.00	-32.94	peak

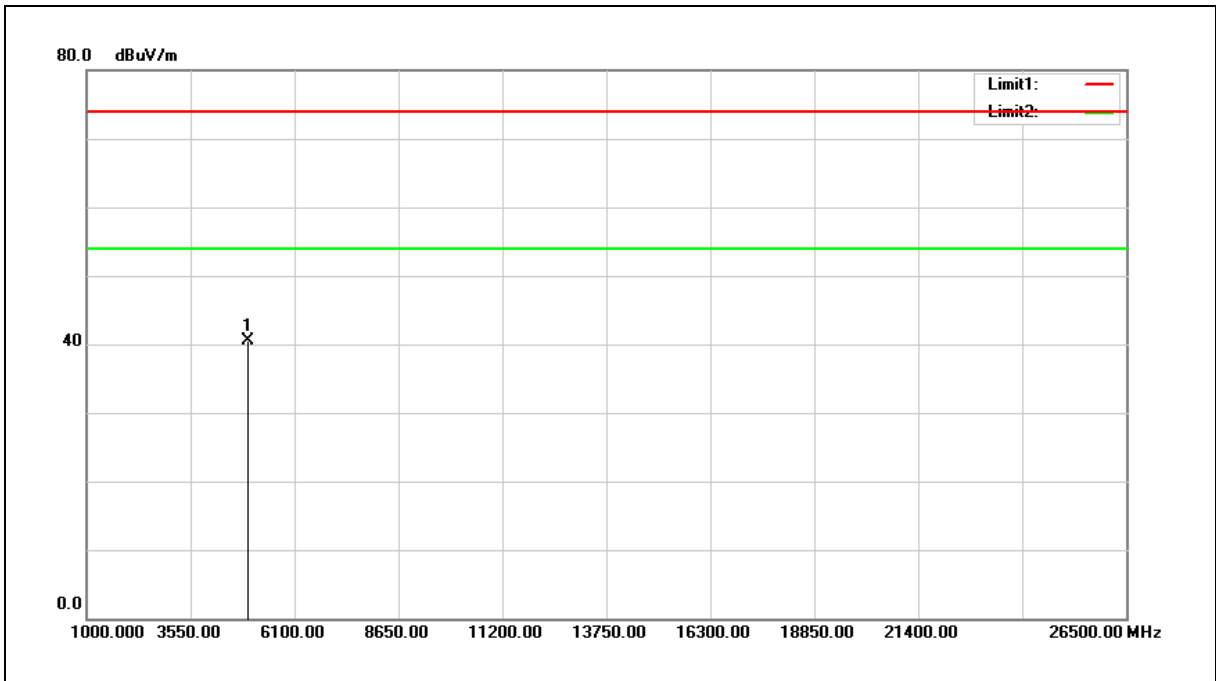
Note:1.Result (dBuV/m) = Correct Factor (dB/m) + Reading(dBuV).

2.Correction factor (dB/m) = Antenna Factor (dB/m) + Cable loss (dB) – Pre-Amplifier gain (dB).

3.When the peak results are less than average limit, so not need to evaluate the average.



Standard:	FCC Part 15.247	Test Distance:	3m
Test item:	Harmonic	Power:	AC 120V/60Hz
Frequency:	2480MHz	Temp.(°C)/Hum.(%RH):	26(°C)/60%RH
Mode:	Mode 2		
Ant.Polar.:	Horizontal		



No.	Frequency (MHz)	Reading (dBuV)	Correct Factor (dB/m)	Result (dBuV/m)	Limit (dBuV/m)	Margin (dB)	Remark
1	4960.000	44.97	-4.39	40.58	74.00	-33.42	peak

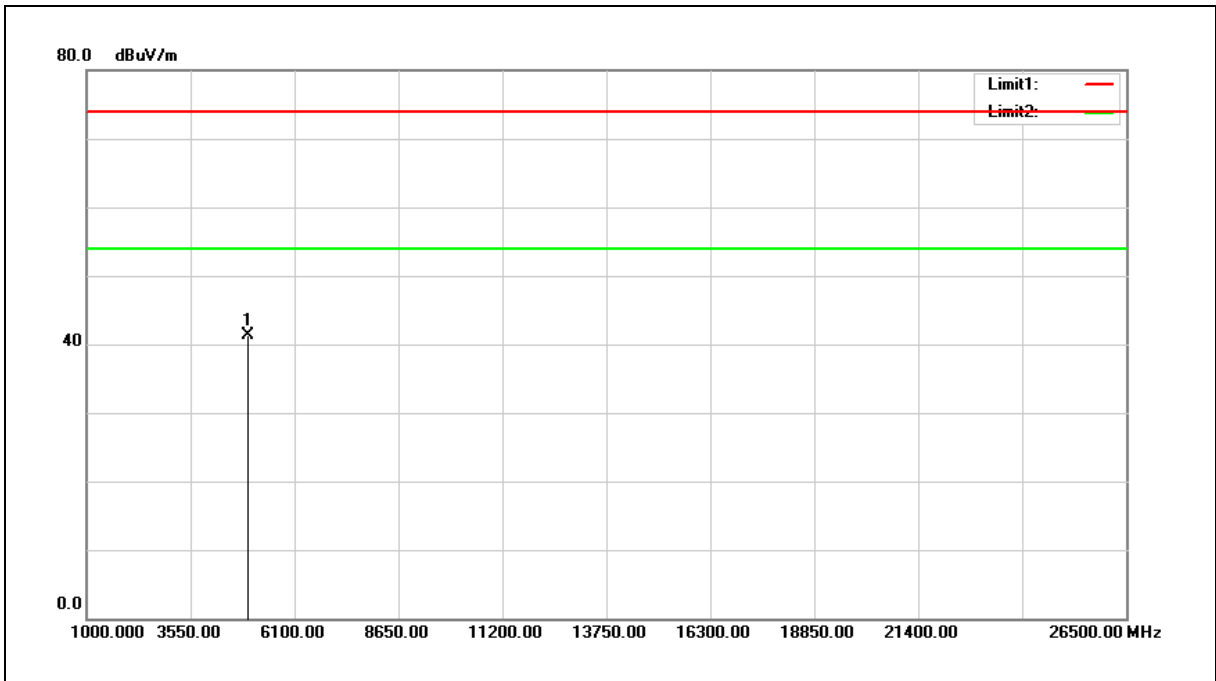
Note:1.Result (dBuV/m) = Correct Factor (dB/m) + Reading(dBuV).

2.Correction factor (dB/m) = Antenna Factor (dB/m) + Cable loss (dB) – Pre-Amplifier gain (dB).

3.When the peak results are less than average limit, so not need to evaluate the average.



Standard:	FCC Part 15.247	Test Distance:	3m
Test item:	Harmonic	Power:	AC 120V/60Hz
Frequency:	2480MHz	Temp.(°C)/Hum.(%RH):	26(°C)/60%RH
Mode:	Mode 2		
Ant.Polar.:	Vertical		



No.	Frequency (MHz)	Reading (dBuV)	Correct Factor (dB/m)	Result (dBuV/m)	Limit (dBuV/m)	Margin (dB)	Remark
1	4960.000	45.73	-4.39	41.34	74.00	-32.66	peak

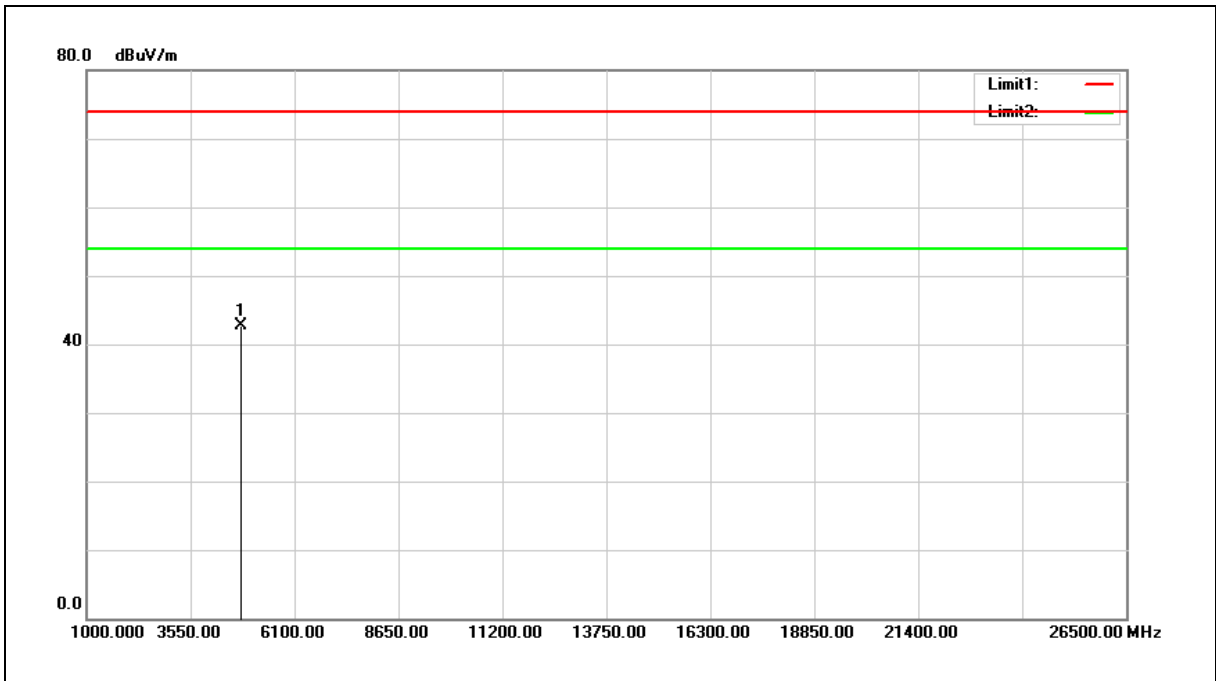
Note:1.Result (dBuV/m) = Correct Factor (dB/m) + Reading(dBuV).

2.Correction factor (dB/m) = Antenna Factor (dB/m) + Cable loss (dB) – Pre-Amplifier gain (dB).

3.When the peak results are less than average limit, so not need to evaluate the average.



Standard:	FCC Part 15.247	Test Distance:	3m
Test item:	Harmonic	Power:	AC 120V/60Hz
Frequency:	2402MHz	Temp.(°C)/Hum.(%RH):	26(°C)/60%RH
Mode:	Mode 4		
Ant.Polar.:	Horizontal		



No.	Frequency (MHz)	Reading (dBuV)	Correct Factor (dB/m)	Result (dBuV/m)	Limit (dBuV/m)	Margin (dB)	Remark
1	4804.000	47.06	-4.35	42.71	74.00	-31.29	peak

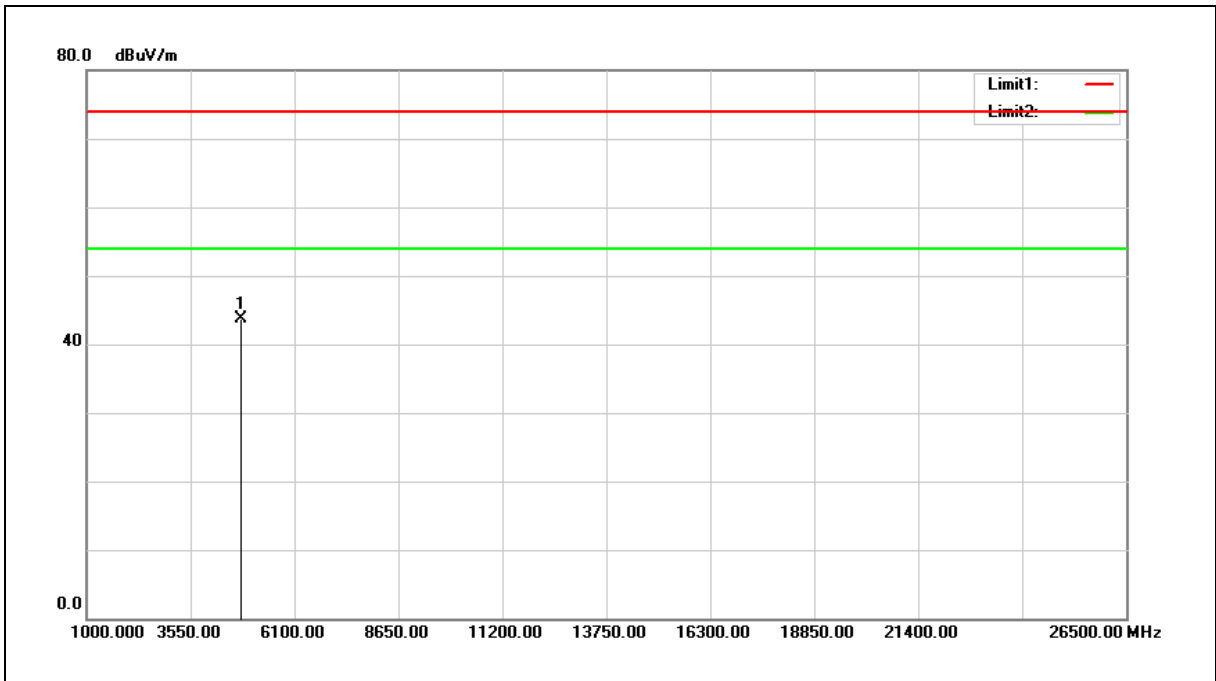
Note:1.Result (dBuV/m) = Correct Factor (dB/m) + Reading(dBuV).

2.Correction factor (dB/m) = Antenna Factor (dB/m) + Cable loss (dB) – Pre-Amplifier gain (dB).

3.When the peak results are less than average limit, so not need to evaluate the average.



Standard:	FCC Part 15.247	Test Distance:	3m
Test item:	Harmonic	Power:	AC 120V/60Hz
Frequency:	2402MHz	Temp.(°C)/Hum.(%RH):	26(°C)/60%RH
Mode:	Mode 4		
Ant.Polar.:	Vertical		



No.	Frequency (MHz)	Reading (dBuV)	Correct Factor (dB/m)	Result (dBuV/m)	Limit (dBuV/m)	Margin (dB)	Remark
1	4804.000	48.04	-4.35	43.69	74.00	-30.31	peak

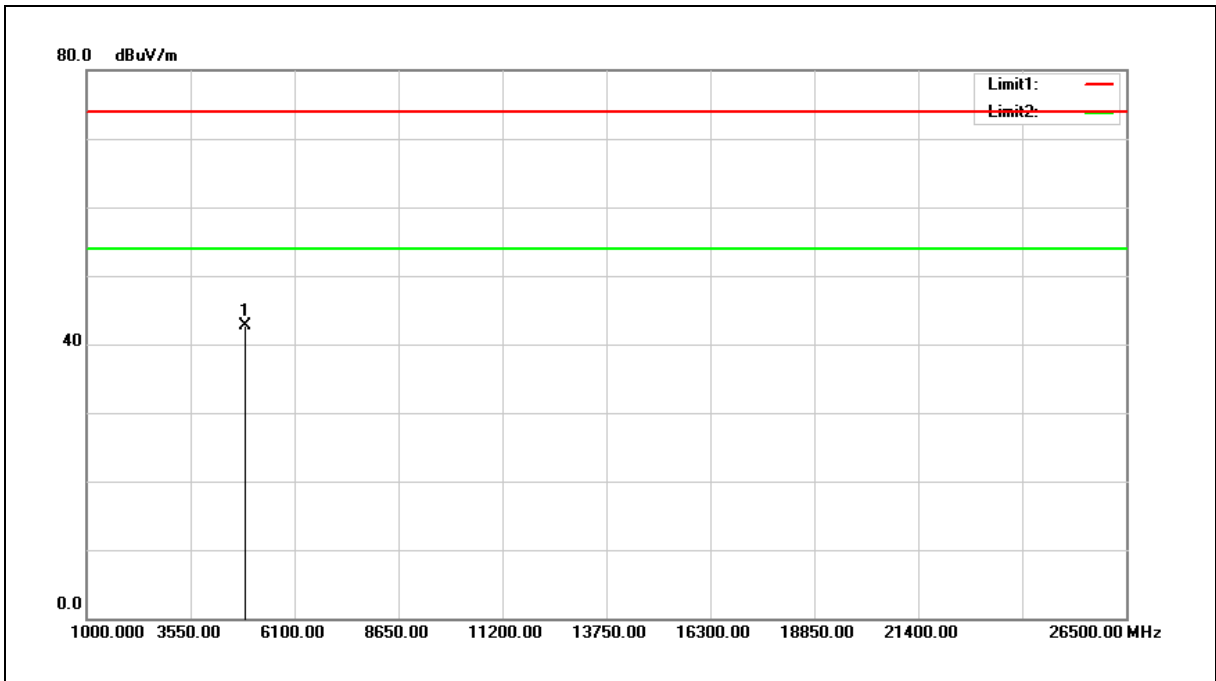
Note:1.Result (dBuV/m) = Correct Factor (dB/m) + Reading(dBuV).

2.Correction factor (dB/m) = Antenna Factor (dB/m) + Cable loss (dB) – Pre-Amplifier gain (dB).

3.When the peak results are less than average limit, so not need to evaluate the average.



Standard:	FCC Part 15.247	Test Distance:	3m
Test item:	Harmonic	Power:	AC 120V/60Hz
Frequency:	2441MHz	Temp.(°C)/Hum.(%RH):	26(°C)/60%RH
Mode:	Mode 4		
Ant.Polar.:	Horizontal		



No.	Frequency (MHz)	Reading (dBuV)	Correct Factor (dB/m)	Result (dBuV/m)	Limit (dBuV/m)	Margin (dB)	Remark
1	4882.000	47.17	-4.37	42.80	74.00	-31.20	peak

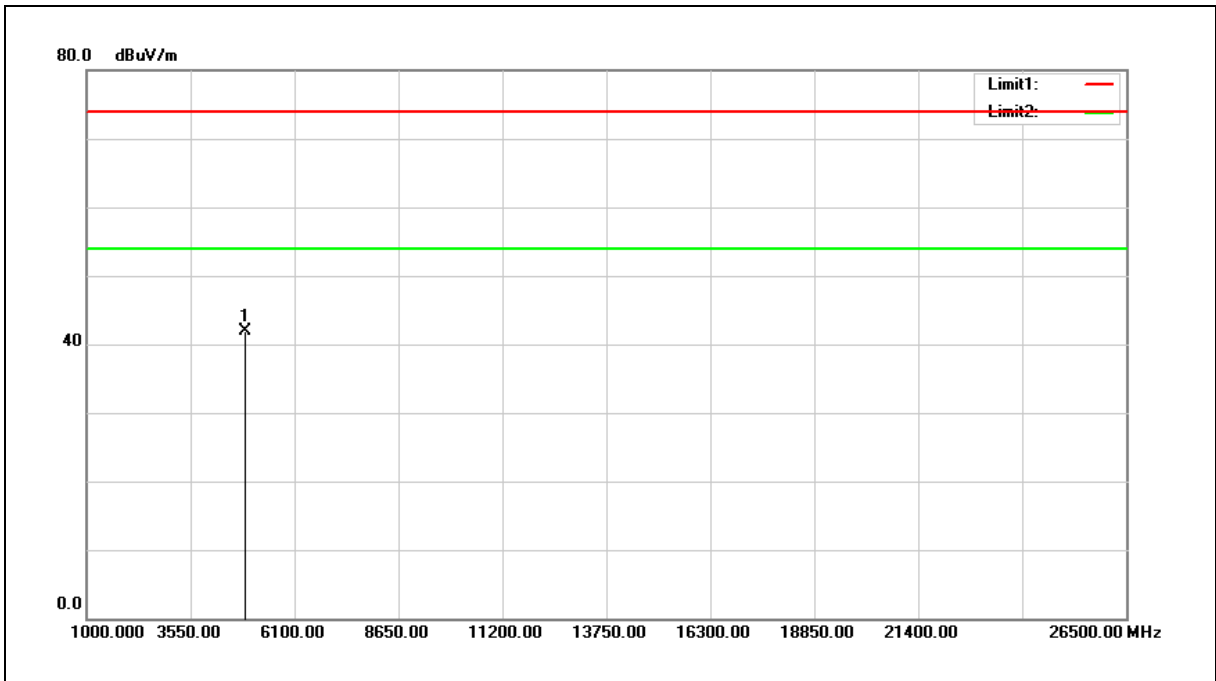
Note:1.Result (dBuV/m) = Correct Factor (dB/m) + Reading(dBuV).

2.Correction factor (dB/m) = Antenna Factor (dB/m) + Cable loss (dB) – Pre-Amplifier gain (dB).

3.When the peak results are less than average limit, so not need to evaluate the average.



Standard:	FCC Part 15.247	Test Distance:	3m
Test item:	Harmonic	Power:	AC 120V/60Hz
Frequency:	2441MHz	Temp.(°C)/Hum.(%RH):	26(°C)/60%RH
Mode:	Mode 4		
Ant.Polar.:	Vertical		



No.	Frequency (MHz)	Reading (dBuV)	Correct Factor (dB/m)	Result (dBuV/m)	Limit (dBuV/m)	Margin (dB)	Remark
1	4882.000	46.37	-4.37	42.00	74.00	-32.00	peak

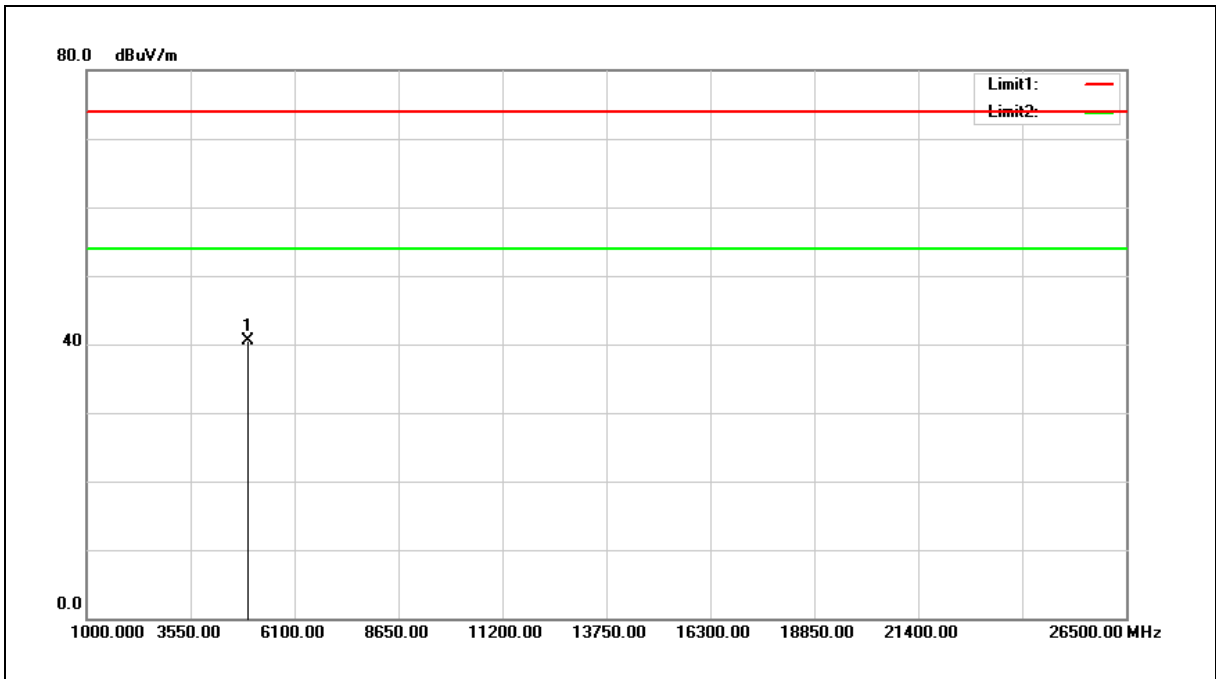
Note:1.Result (dBuV/m) = Correct Factor (dB/m) + Reading(dBuV).

2.Correction factor (dB/m) = Antenna Factor (dB/m) + Cable loss (dB) – Pre-Amplifier gain (dB).

3.When the peak results are less than average limit, so not need to evaluate the average.



Standard:	FCC Part 15.247	Test Distance:	3m
Test item:	Harmonic	Power:	AC 120V/60Hz
Frequency:	2480MHz	Temp.(°C)/Hum.(%RH):	26(°C)/60%RH
Mode:	Mode 4		
Ant.Polar.:	Horizontal		



No.	Frequency (MHz)	Reading (dBuV)	Correct Factor (dB/m)	Result (dBuV/m)	Limit (dBuV/m)	Margin (dB)	Remark
1	4960.000	44.97	-4.39	40.58	74.00	-33.42	peak

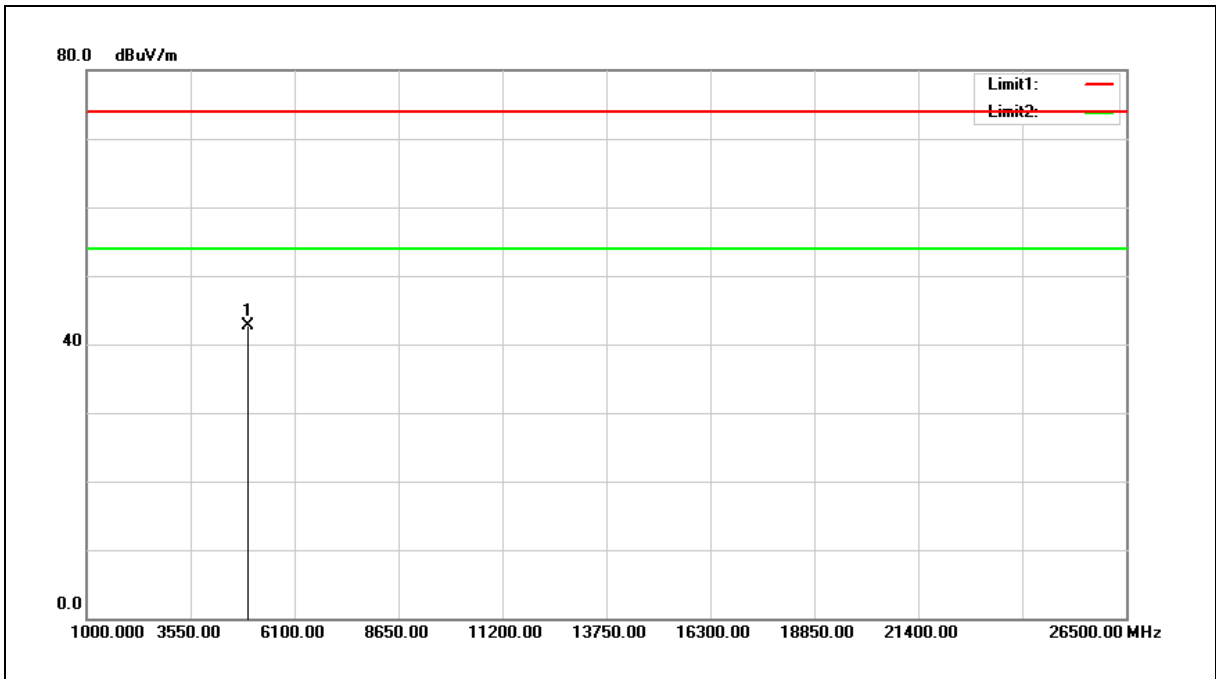
Note:1.Result (dBuV/m) = Correct Factor (dB/m) + Reading(dBuV).

2.Correction factor (dB/m) = Antenna Factor (dB/m) + Cable loss (dB) – Pre-Amplifier gain (dB).

3.When the peak results are less than average limit, so not need to evaluate the average.



Standard:	FCC Part 15.247	Test Distance:	3m
Test item:	Harmonic	Power:	AC 120V/60Hz
Frequency:	2480MHz	Temp.(°C)/Hum.(%RH):	26(°C)/60%RH
Mode:	Mode 4		
Ant.Polar.:	Vertical		



No.	Frequency (MHz)	Reading (dBuV)	Correct Factor (dB/m)	Result (dBuV/m)	Limit (dBuV/m)	Margin (dB)	Remark
1	4960.000	47.19	-4.39	42.80	74.00	-31.20	peak

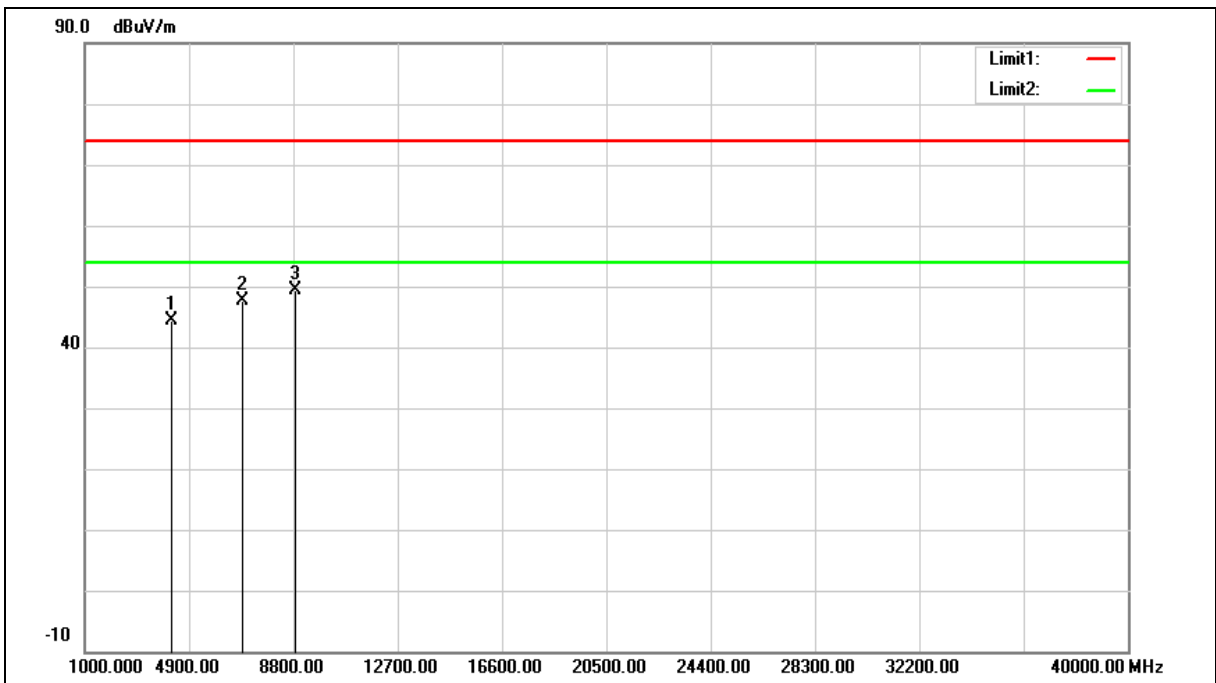
Note:1.Result (dBuV/m) = Correct Factor (dB/m) + Reading(dBuV).

2.Correction factor (dB/m) = Antenna Factor (dB/m) + Cable loss (dB) – Pre-Amplifier gain (dB).

3.When the peak results are less than average limit, so not need to evaluate the average.



Standard:	FCC Part 15.247	Test Distance:	3m
Test item:	Harmonic	Power:	AC 120V/60Hz
Test Mode:	Simultaneous Transmitting (5G DSSS+BT)	Temp.(°C)/Hum.(%RH):	26(°C)/60%RH
Ant.Polar.:	Horizontal		



No.	Frequency (MHz)	Reading (dBuV)	Correct Factor (dB/m)	Result (dBuV/m)	Limit (dBuV/m)	Margin (dB)	Remark
1	4230.000	49.44	-5.05	44.39	74.00	-29.61	peak
2	6865.000	48.75	-1.06	47.69	74.00	-26.31	peak
3	8854.000	45.86	3.44	49.30	74.00	-24.70	peak

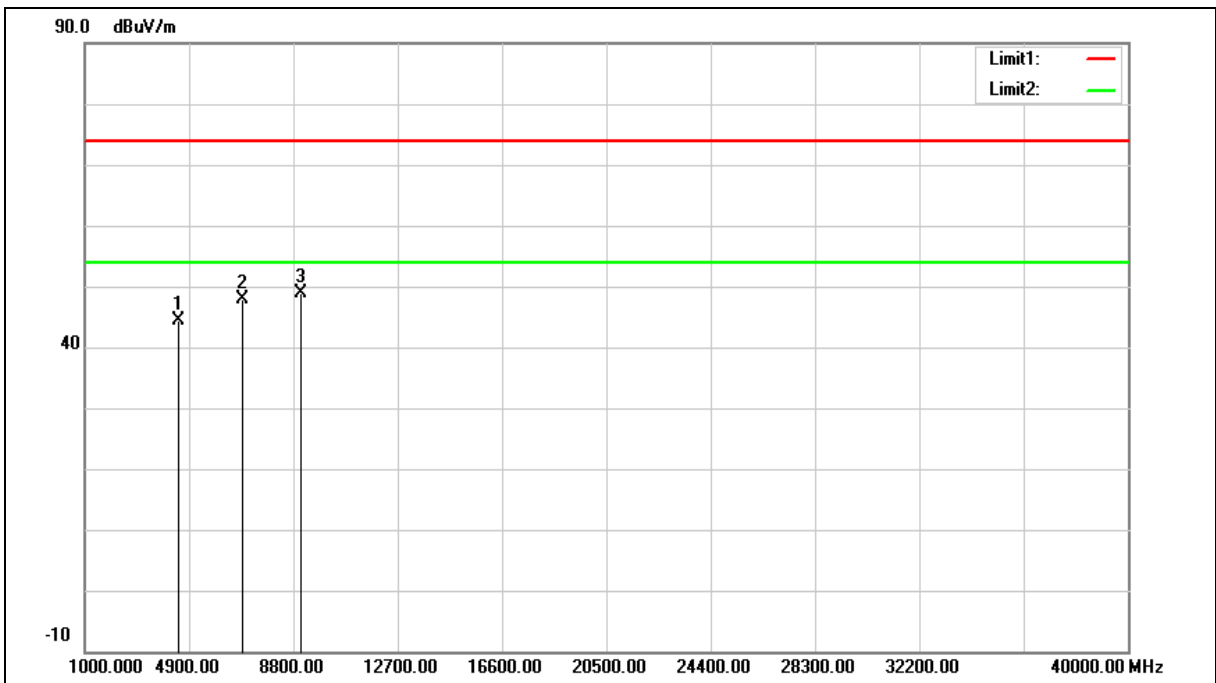
Note:1.Result (dBuV/m) = Correct Factor (dB/m) + Reading(dBuV).

2.Correction factor (dB/m) = Antenna Factor (dB/m) + Cable loss (dB) – Pre-Amplifier gain (dB).

3. When the peak results are less than average limit, so not need to evaluate the average.



Standard:	FCC Part 15.247	Test Distance:	3m
Test item:	Harmonic	Power:	AC 120V/60Hz
Test Mode:	Simultaneous Transmitting (5G DSSS+BT)	Temp.(°C)/Hum. (%RH):	26(°C)/60%RH
Ant.Polar.:	Vertical		



No.	Frequency (MHz)	Reading (dBuV)	Correct Factor (dB/m)	Result (dBuV/m)	Limit (dBuV/m)	Margin (dB)	Remark
1	4485.000	49.23	-4.73	44.50	74.00	-29.50	peak
2	6882.000	48.79	-1.03	47.76	74.00	-26.24	peak
3	9041.000	44.85	4.05	48.90	74.00	-25.10	peak

Note:1.Result (dBuV/m) = Correct Factor (dB/m) + Reading(dBuV).

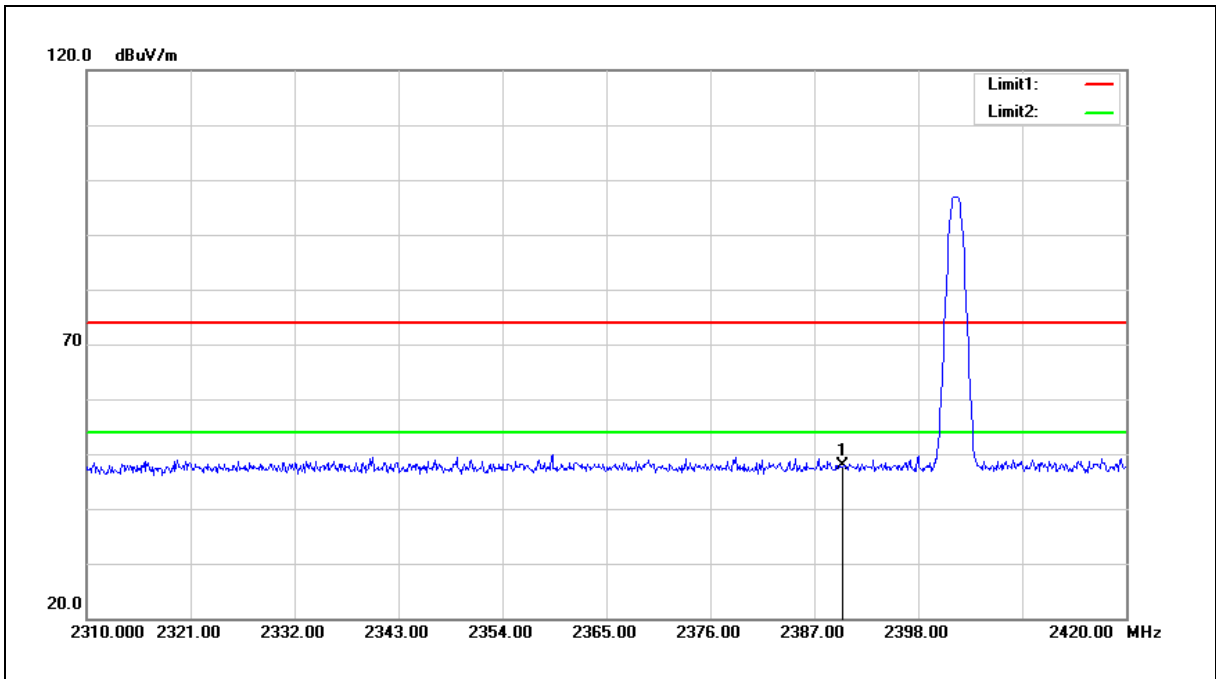
2.Correction factor (dB/m) = Antenna Factor (dB/m) + Cable loss (dB) – Pre-Amplifier gain (dB).

3. When the peak results are less than average limit, so not need to evaluate the average.



Band Edge

Standard:	FCC Part 15.247	Test Distance:	3m
Test item:	Band edge	Power:	AC 120V/60Hz
Frequency:	2402MHz	Temp.(°C)/Hum.(%RH):	26(°C)/60%RH
Mode:	Mode 2		
Ant.Polar.:	Horizontal		



No.	Frequency (MHz)	Reading (dBuV)	Correct Factor (dB/m)	Result (dBuV/m)	Limit (dBuV/m)	Margin (dB)	Remark
1	2390.000	57.41	-9.62	47.79	74.00	-26.21	peak

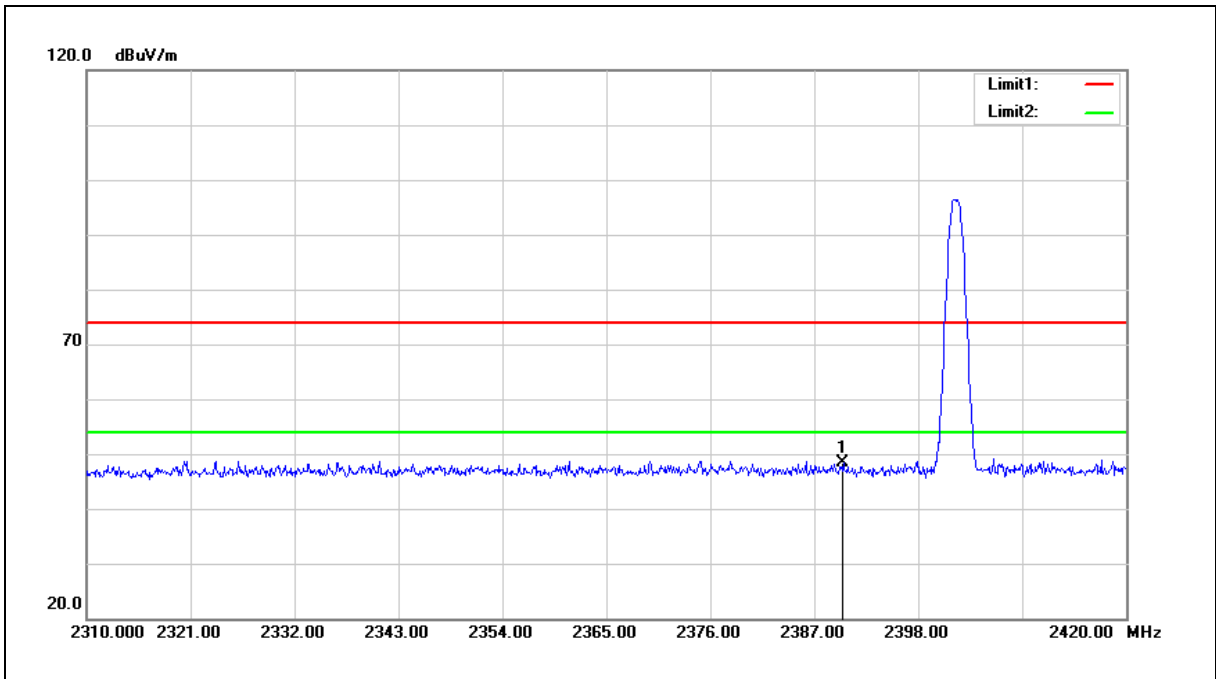
Note:1.Result (dBuV/m) = Correct Factor (dB/m) + Reading(dBuV).

2.Correction factor (dB/m) = Antenna Factor (dB/m) + Cable loss (dB) – Pre-Amplifier gain (dB).

3.When the peak results are less than average limit, so not need to evaluate the average.



Standard:	FCC Part 15.247	Test Distance:	3m
Test item:	Band edge	Power:	AC 120V/60Hz
Frequency:	2402MHz	Temp.(°C)/Hum.(%RH):	26(°C)/60%RH
Mode:	Mode 2		
Ant.Polar.:	Vertical		



No.	Frequency (MHz)	Reading (dBuV)	Correct Factor (dB/m)	Result (dBuV/m)	Limit (dBuV/m)	Margin (dB)	Remark
1	2390.000	57.96	-9.62	48.34	74.00	-25.66	peak

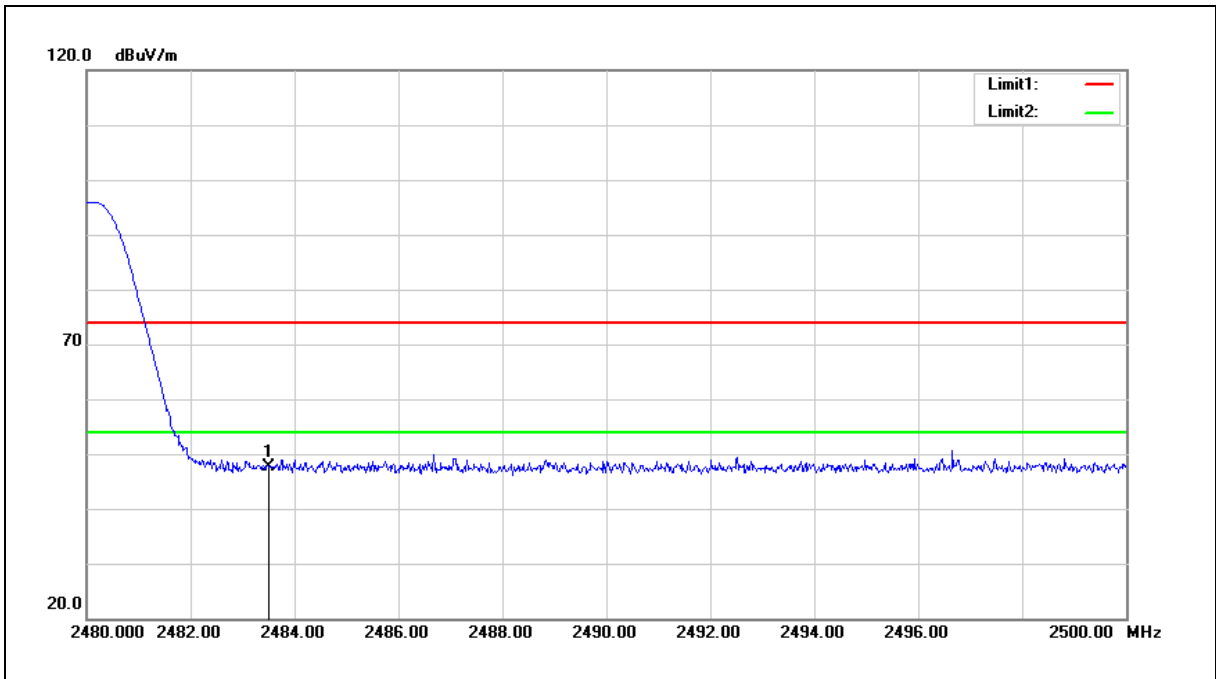
Note:1.Result (dBuV/m) = Correct Factor (dB/m) + Reading(dBuV).

2.Correction factor (dB/m) = Antenna Factor (dB/m) + Cable loss (dB) – Pre-Amplifier gain (dB).

3.When the peak results are less than average limit, so not need to evaluate the average.



Standard:	FCC Part 15.247	Test Distance:	3m
Test item:	Band edge	Power:	AC 120V/60Hz
Frequency:	2480MHz	Temp.(°C)/Hum.(%RH):	26(°C)/60%RH
Mode:	Mode 2		
Ant.Polar.:	Horizontal		



No.	Frequency (MHz)	Reading (dBuV)	Correct Factor (dB/m)	Result (dBuV/m)	Limit (dBuV/m)	Margin (dB)	Remark
1	2483.500	56.88	-9.20	47.68	74.00	-26.32	peak

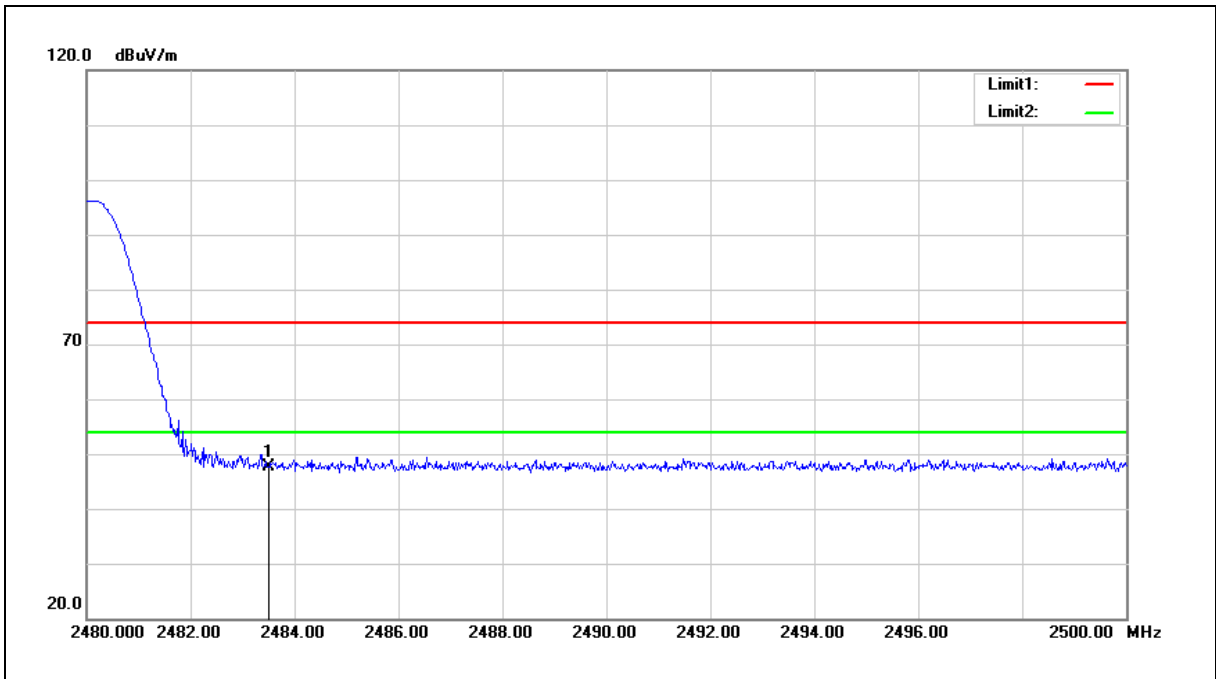
Note:1.Result (dBuV/m) = Correct Factor (dB/m) + Reading(dBuV).

2.Correction factor (dB/m) = Antenna Factor (dB/m) + Cable loss (dB) – Pre-Amplifier gain (dB).

3.When the peak results are less than average limit, so not need to evaluate the average.



Standard:	FCC Part 15.247	Test Distance:	3m
Test item:	Band edge	Power:	AC 120V/60Hz
Frequency:	2480MHz	Temp.(°C)/Hum.(%RH):	26(°C)/60%RH
Mode:	Mode 2		
Ant.Polar.:	Vertical		



No.	Frequency (MHz)	Reading (dBuV)	Correct Factor (dB/m)	Result (dBuV/m)	Limit (dBuV/m)	Margin (dB)	Remark
1	2483.500	56.90	-9.20	47.70	74.00	-26.30	peak

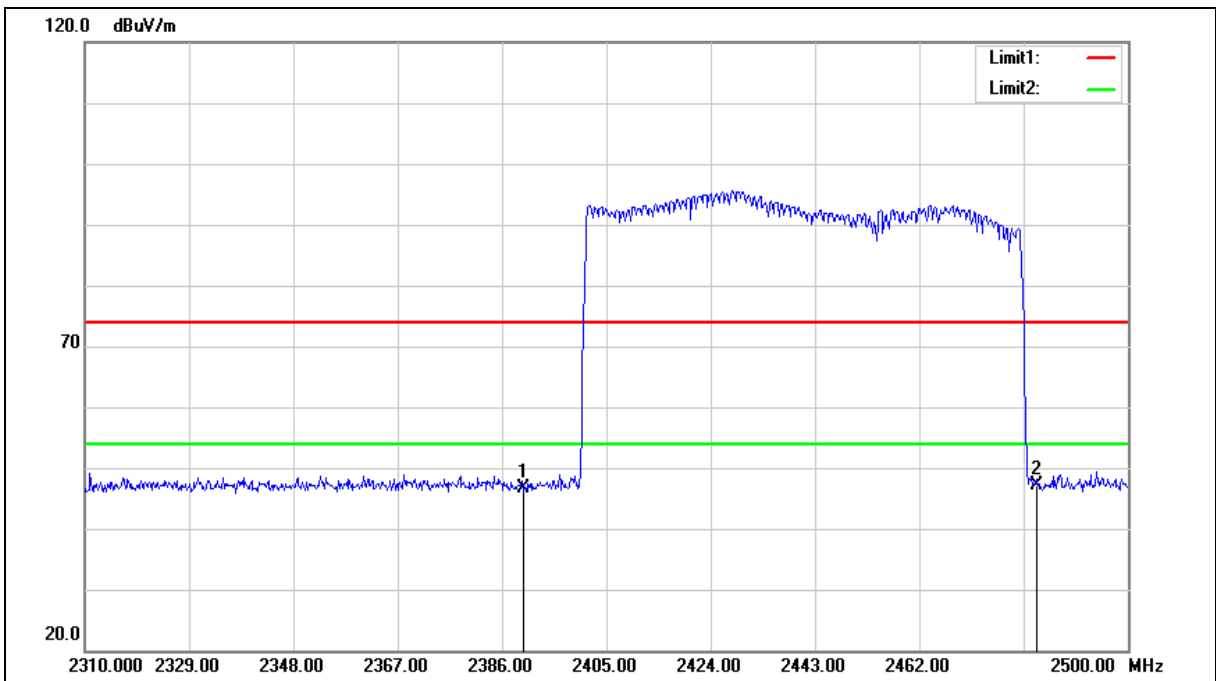
Note:1.Result (dBuV/m) = Correct Factor (dB/m) + Reading(dBuV).

2.Correction factor (dB/m) = Antenna Factor (dB/m) + Cable loss (dB) – Pre-Amplifier gain (dB).

3.When the peak results are less than average limit, so not need to evaluate the average.



Standard:	FCC Part 15.247	Test Distance:	3m
Test item:	Band edge	Power:	AC 120V/60Hz
Frequency:	hopping	Temp.(°C)/Hum.(%RH):	26(°C)/60%RH
Mode:	Mode 2		
Ant.Polar.:	Horizontal		



No.	Frequency (MHz)	Reading (dBuV)	Correct Factor (dB/m)	Result (dBuV/m)	Limit (dBuV/m)	Margin (dB)	Remark
1	2390.000	56.16	-9.62	46.54	74.00	-27.46	peak
2	2483.500	56.45	-9.20	47.25	74.00	-26.75	peak

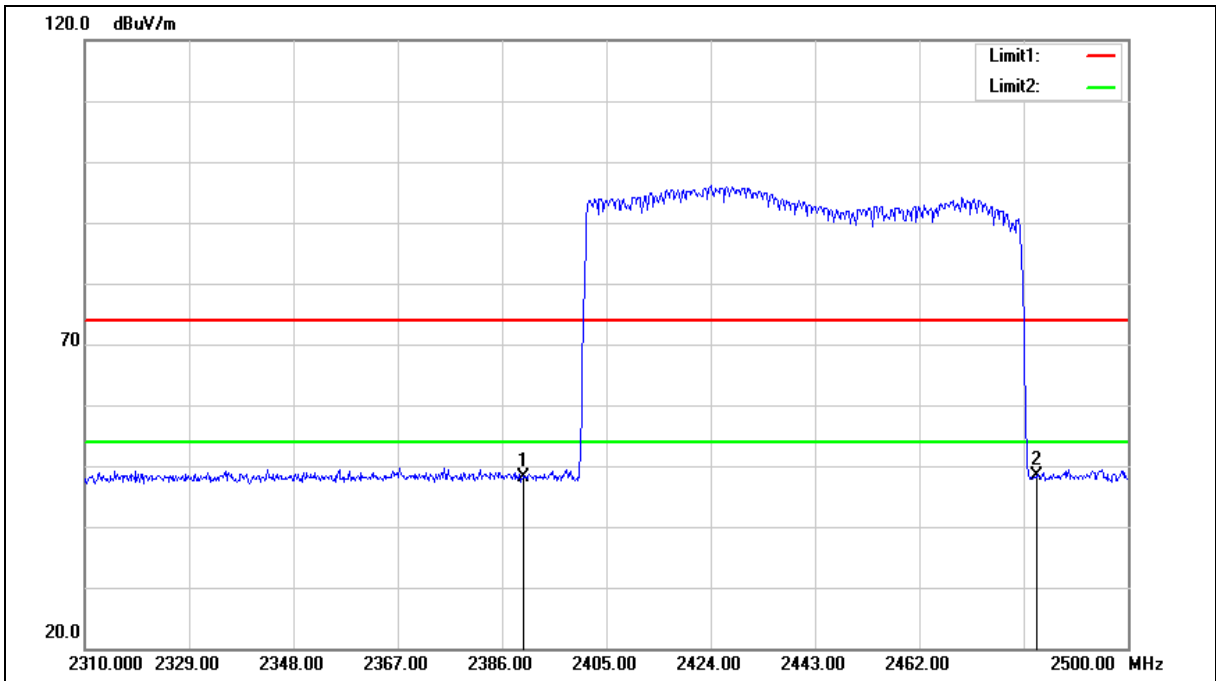
Note:1.Result (dBuV/m) = Correct Factor (dB/m) + Reading(dBuV).

2.Correction factor (dB/m) = Antenna Factor (dB/m) + Cable loss (dB) – Pre-Amplifier gain (dB).

3. When the peak results are less than average limit, so not need to evaluate the average.



Standard:	FCC Part 15.247	Test Distance:	3m
Test item:	Band edge	Power:	AC 120V/60Hz
Frequency:	hopping	Temp.(°C)/Hum.(%RH):	26(°C)/60%RH
Mode:	Mode 2		
Ant.Polar.:	Vertical		



No.	Frequency (MHz)	Reading (dBuV)	Correct Factor (dB/m)	Result (dBuV/m)	Limit (dBuV/m)	Margin (dB)	Remark
1	2390.000	57.66	-9.62	48.04	74.00	-25.96	peak
2	2483.500	57.70	-9.20	48.50	74.00	-25.50	peak

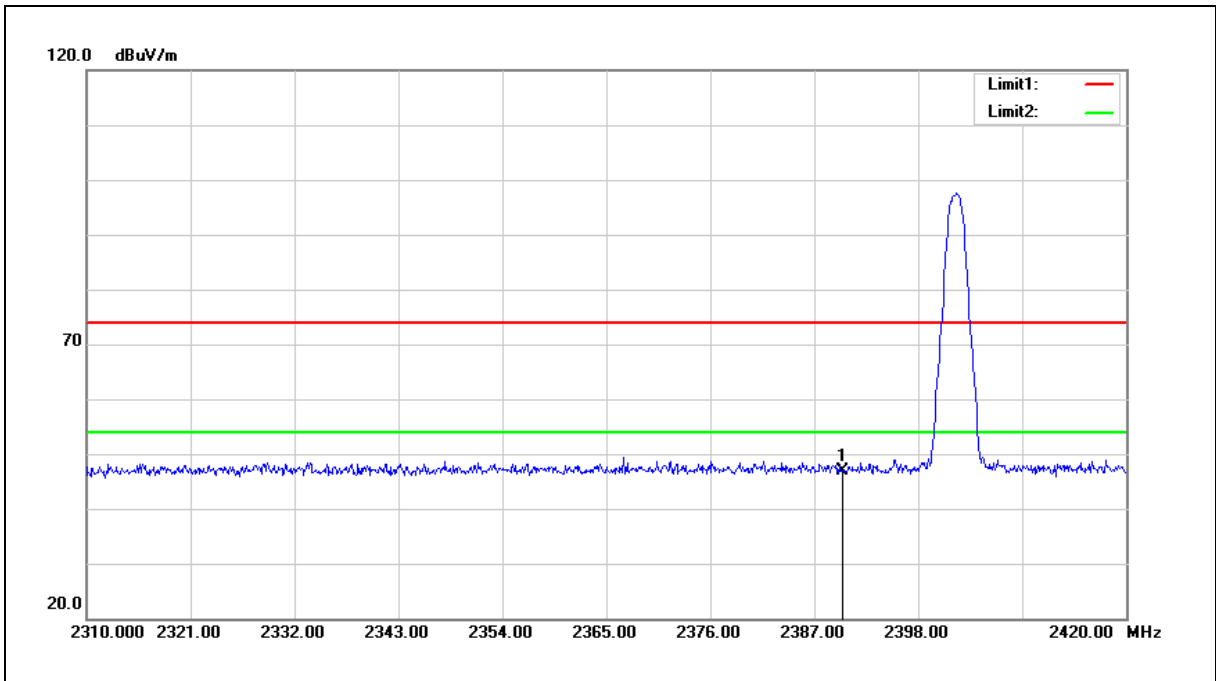
Note:1.Result (dBuV/m) = Correct Factor (dB/m) + Reading(dBuV).

2.Correction factor (dB/m) = Antenna Factor (dB/m) + Cable loss (dB) – Pre-Amplifier gain (dB).

3. When the peak results are less than average limit, so not need to evaluate the average.



Standard:	FCC Part 15.247	Test Distance:	3m
Test item:	Band edge	Power:	AC 120V/60Hz
Frequency:	2402MHz	Temp.(°C)/Hum.(%RH):	26(°C)/60%RH
Mode:	Mode 4		
Ant.Polar.:	Horizontal		



No.	Frequency (MHz)	Reading (dBuV)	Correct Factor (dB/m)	Result (dBuV/m)	Limit (dBuV/m)	Margin (dB)	Remark
1	2390.000	56.45	-9.62	46.83	74.00	-27.17	peak

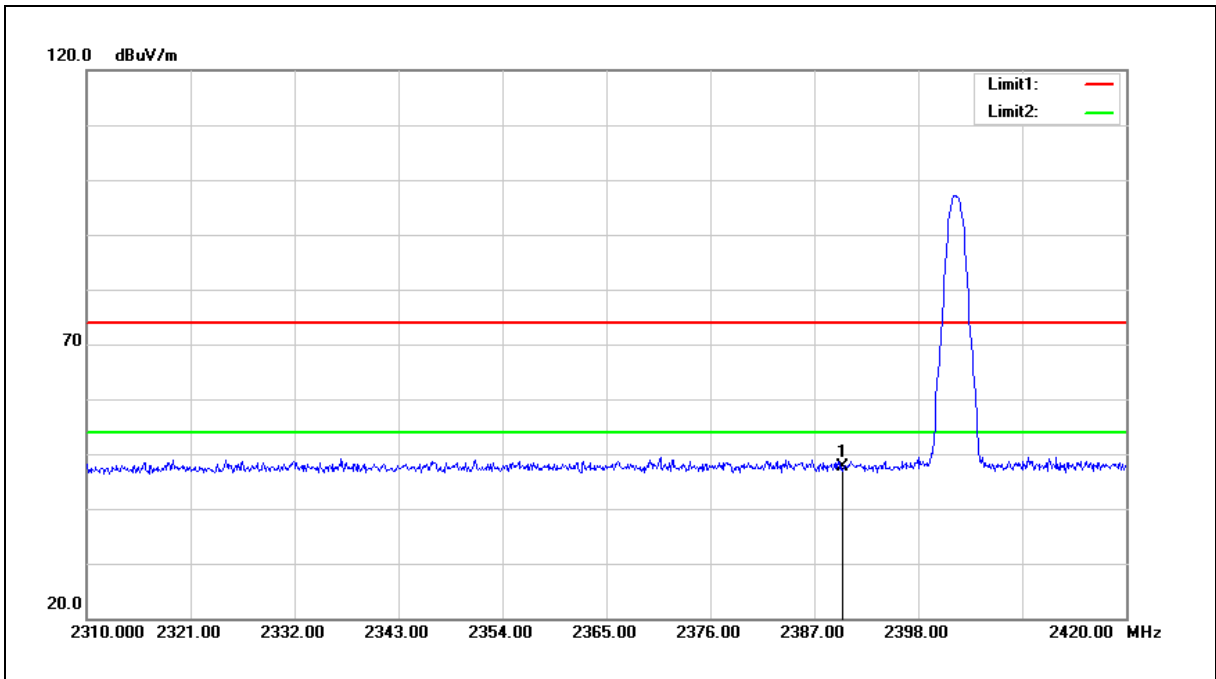
Note:1.Result (dBuV/m) = Correct Factor (dB/m) + Reading(dBuV).

2.Correction factor (dB/m) = Antenna Factor (dB/m) + Cable loss (dB) – Pre-Amplifier gain (dB).

3.When the peak results are less than average limit, so not need to evaluate the average.



Standard:	FCC Part 15.247	Test Distance:	3m
Test item:	Band edge	Power:	AC 120V/60Hz
Frequency:	2402MHz	Temp.(°C)/Hum.(%RH):	26(°C)/60%RH
Mode:	Mode 4		
Ant.Polar.:	Vertical		



No.	Frequency (MHz)	Reading (dBuV)	Correct Factor (dB/m)	Result (dBuV/m)	Limit (dBuV/m)	Margin (dB)	Remark
1	2390.000	57.24	-9.62	47.62	74.00	-26.38	peak

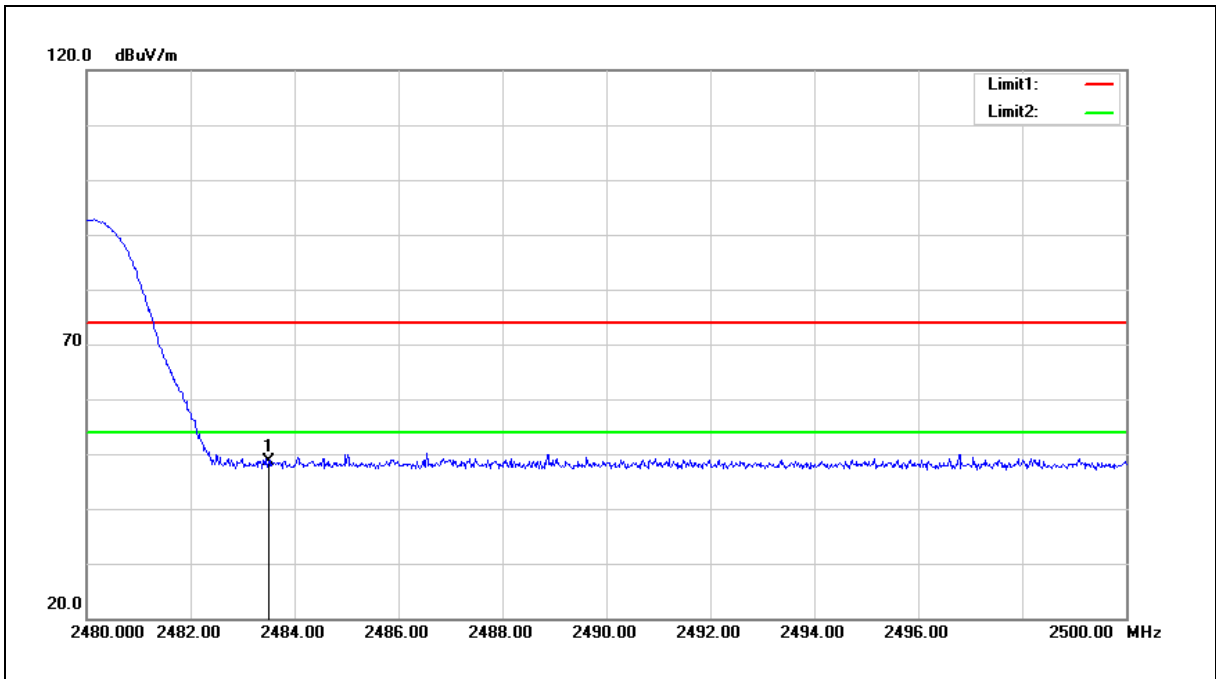
Note:1.Result (dBuV/m) = Correct Factor (dB/m) + Reading(dBuV).

2.Correction factor (dB/m) = Antenna Factor (dB/m) + Cable loss (dB) – Pre-Amplifier gain (dB).

3.When the peak results are less than average limit, so not need to evaluate the average.



Standard:	FCC Part 15.247	Test Distance:	3m
Test item:	Band edge	Power:	AC 120V/60Hz
Frequency:	2480MHz	Temp.(°C)/Hum.(%RH):	26(°C)/60%RH
Mode:	Mode 4		
Ant.Polar.:	Horizontal		



No.	Frequency (MHz)	Reading (dBuV)	Correct Factor (dB/m)	Result (dBuV/m)	Limit (dBuV/m)	Margin (dB)	Remark
1	2483.500	57.81	-9.20	48.61	74.00	-25.39	peak

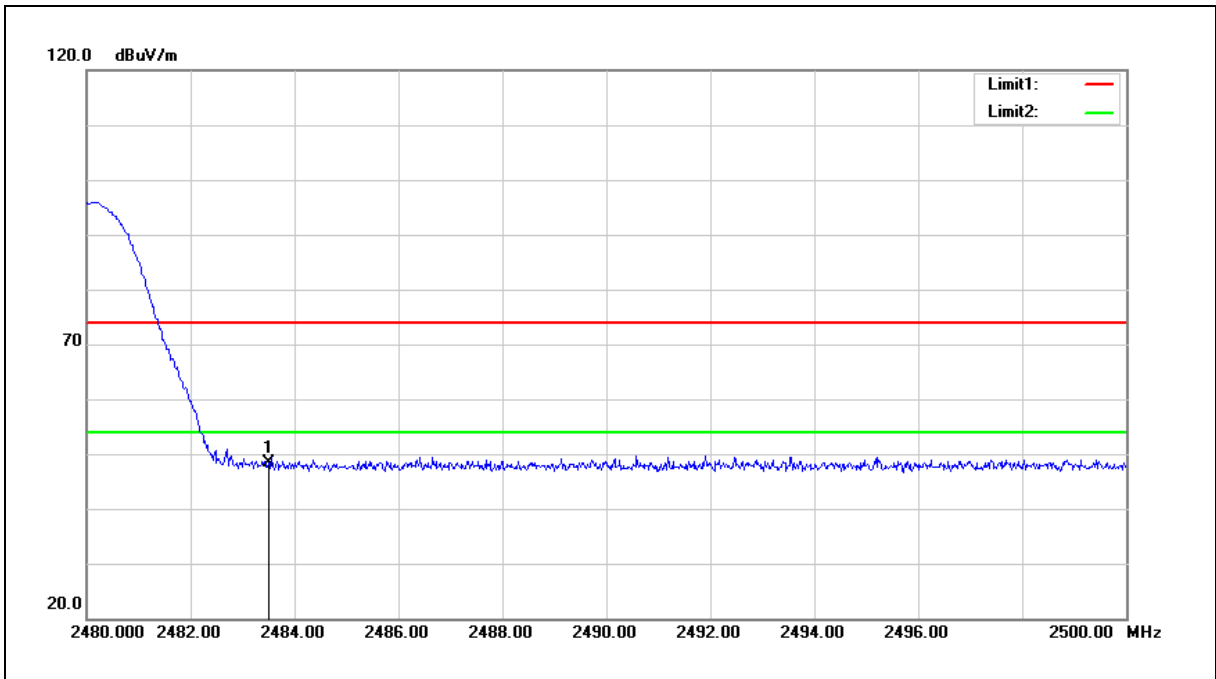
Note:1.Result (dBuV/m) = Correct Factor (dB/m) + Reading(dBuV).

2.Correction factor (dB/m) = Antenna Factor (dB/m) + Cable loss (dB) – Pre-Amplifier gain (dB).

3.When the peak results are less than average limit, so not need to evaluate the average.



Standard:	FCC Part 15.247	Test Distance:	3m
Test item:	Band edge	Power:	AC 120V/60Hz
Frequency:	2480MHz	Temp.(°C)/Hum.(%RH):	26(°C)/60%RH
Mode:	Mode 4		
Ant.Polar.:	Vertical		



No.	Frequency (MHz)	Reading (dBuV)	Correct Factor (dB/m)	Result (dBuV/m)	Limit (dBuV/m)	Margin (dB)	Remark
1	2483.500	57.58	-9.20	48.38	74.00	-25.62	peak

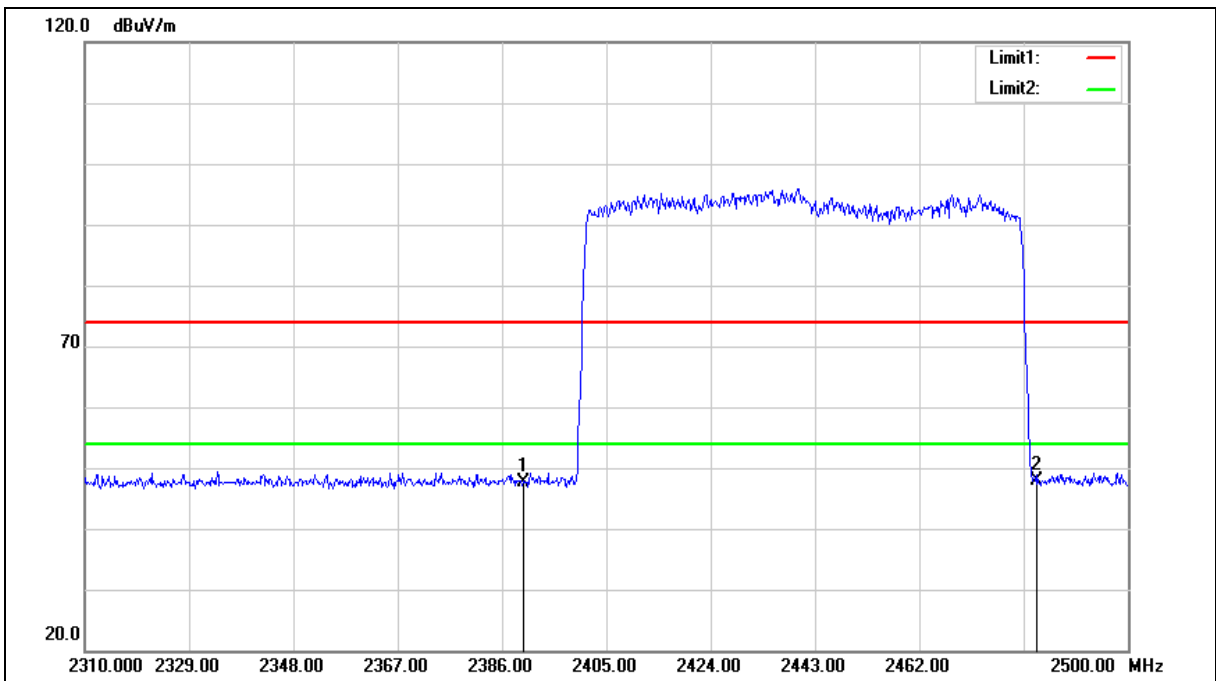
Note:1.Result (dBuV/m) = Correct Factor (dB/m) + Reading(dBuV).

2.Correction factor (dB/m) = Antenna Factor (dB/m) + Cable loss (dB) – Pre-Amplifier gain (dB).

3.When the peak results are less than average limit, so not need to evaluate the average.



Standard:	FCC Part 15.247	Test Distance:	3m
Test item:	Band edge	Power:	AC 120V/60Hz
Frequency:	hopping	Temp.(°C)/Hum.(%RH):	26(°C)/60%RH
Mode:	Mode 4		
Ant.Polar.:	Horizontal		



No.	Frequency (MHz)	Reading (dBuV)	Correct Factor (dB/m)	Result (dBuV/m)	Limit (dBuV/m)	Margin (dB)	Remark
1	2390.000	57.37	-9.62	47.75	74.00	-26.25	peak
2	2483.500	57.01	-9.20	47.81	74.00	-26.19	peak

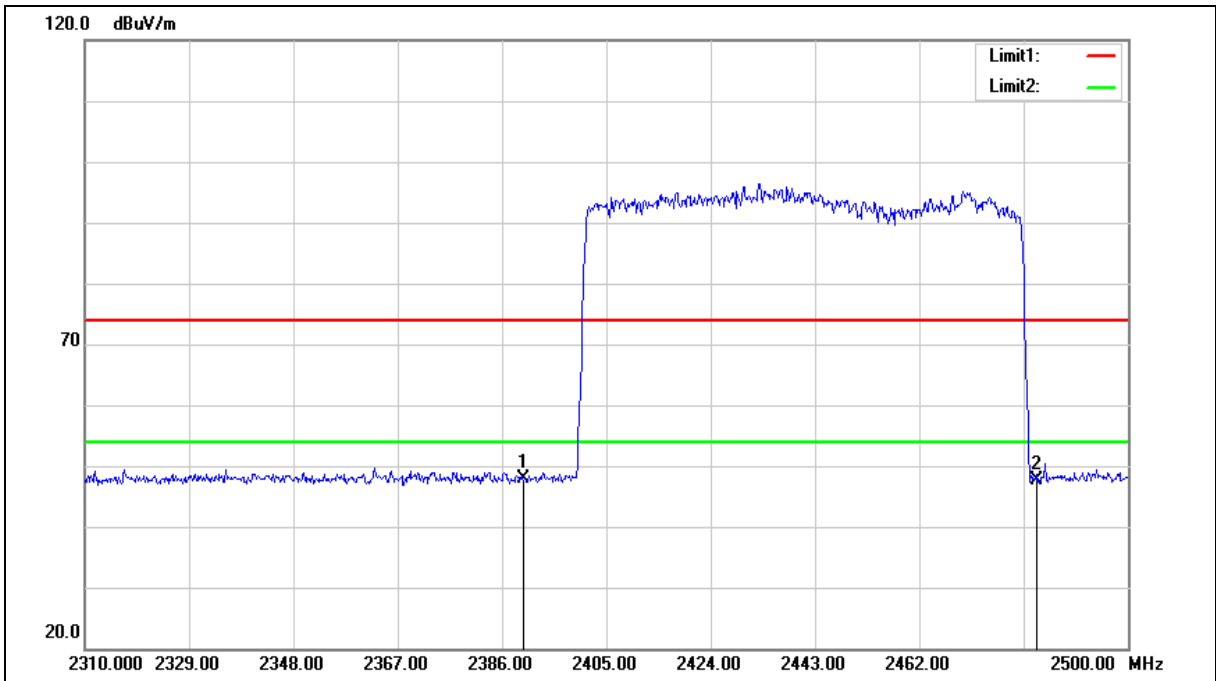
Note: 1. Result (dBuV/m) = Correct Factor (dB/m) + Reading(dBuV).

2. Correction factor (dB/m) = Antenna Factor (dB/m) + Cable loss (dB) – Pre-Amplifier gain (dB).

3. When the peak results are less than average limit, so not need to evaluate the average.



Standard:	FCC Part 15.247	Test Distance:	3m
Test item:	Band edge	Power:	AC 120V/60Hz
Frequency:	hopping	Temp.(°C)/Hum.(%RH):	26(°C)/60%RH
Mode:	Mode 4		
Ant.Polar.:	Vertical		



No.	Frequency (MHz)	Reading (dBuV)	Correct Factor (dB/m)	Result (dBuV/m)	Limit (dBuV/m)	Margin (dB)	Remark
1	2390.000	57.60	-9.62	47.98	74.00	-26.02	peak
2	2483.500	56.89	-9.20	47.69	74.00	-26.31	peak

Note:1.Result (dBuV/m) = Correct Factor (dB/m) + Reading(dBuV).

2.Correction factor (dB/m) = Antenna Factor (dB/m) + Cable loss (dB) – Pre-Amplifier gain (dB).

3. When the peak results are less than average limit, so not need to evaluate the average.