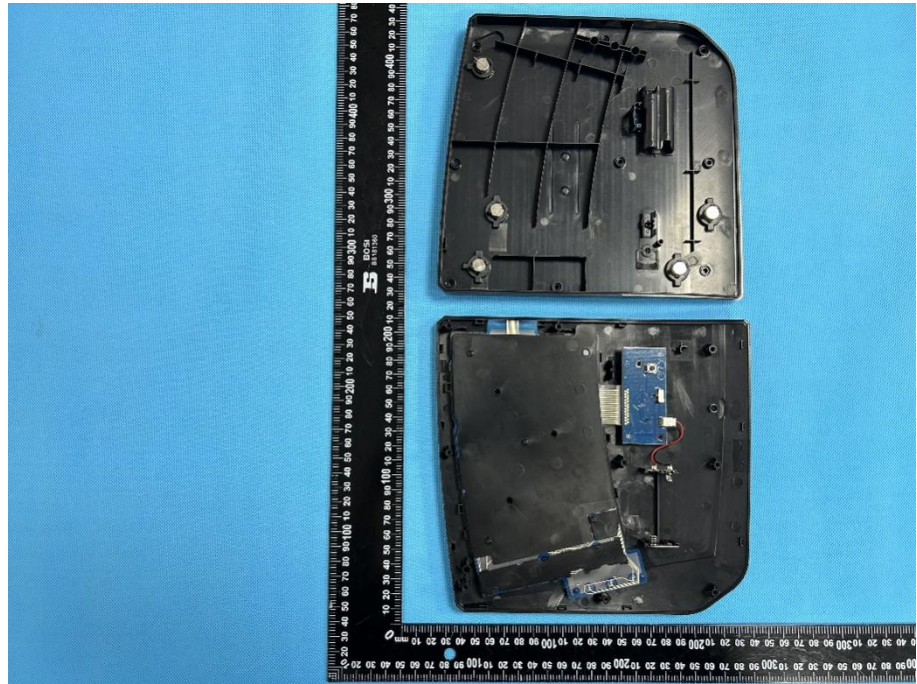
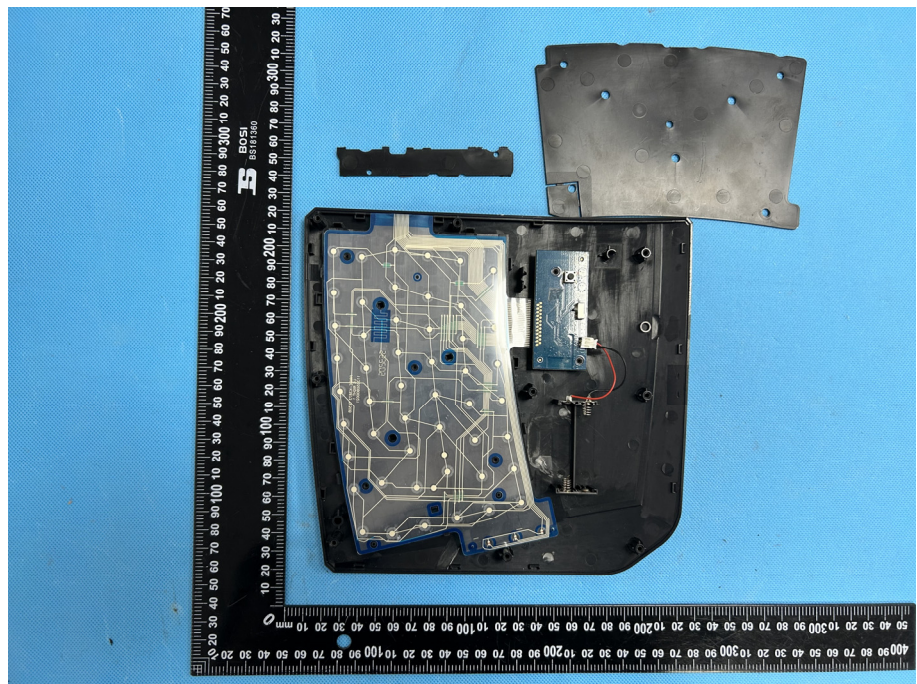


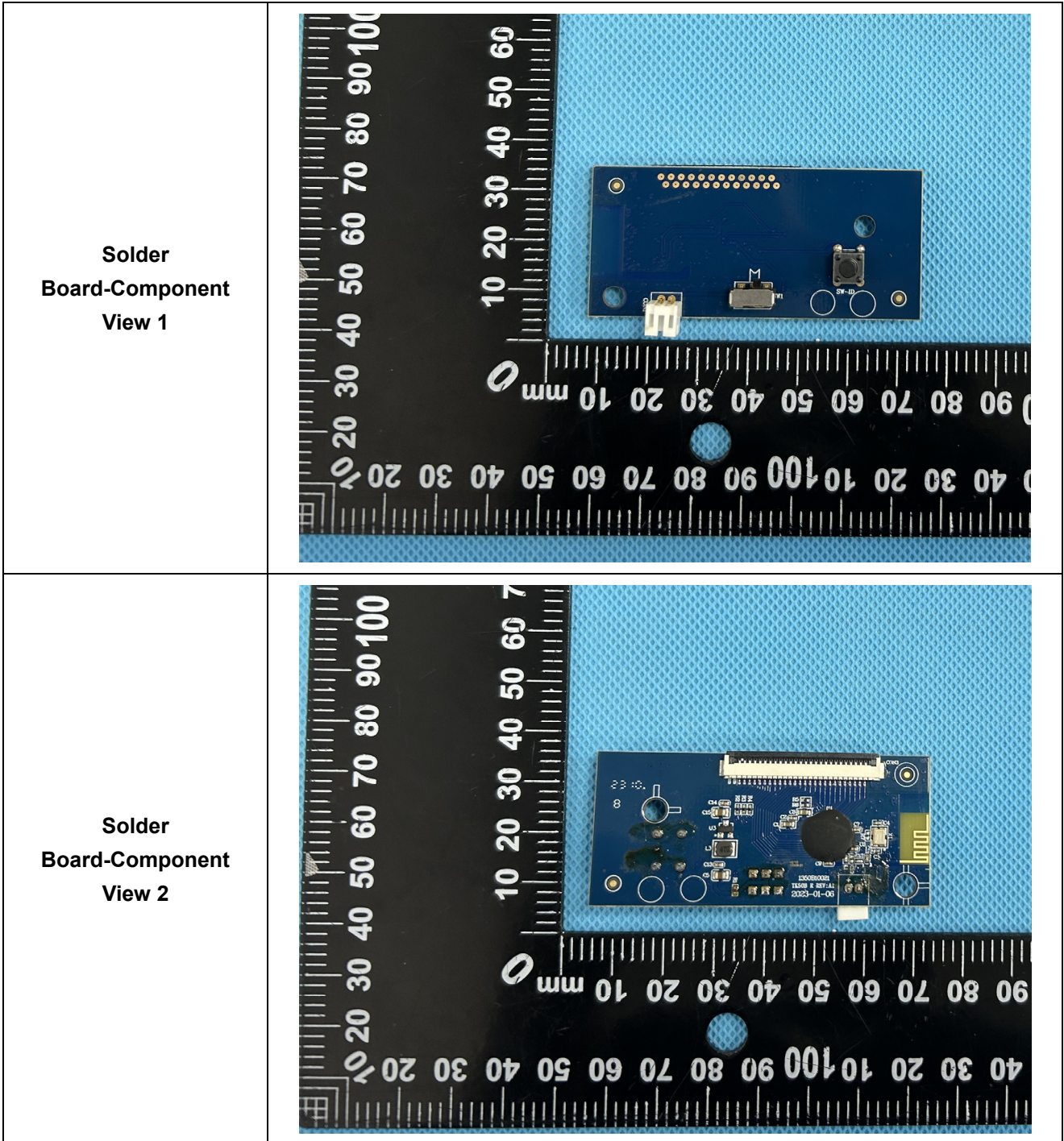
EXHIBIT 3 - EUT INTERNAL PHOTOGRAPHS

EUT Housing and Board View 1

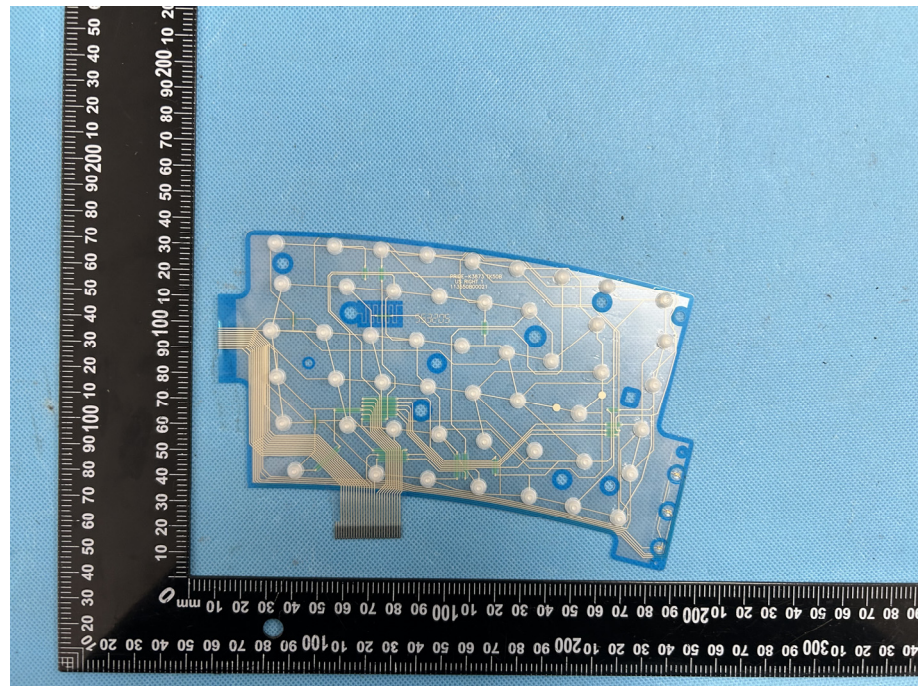


EUT Housing and Board View 2





**Solder
Board-Component
View 3**



**Solder
Board-Component
View 4**

