



台灣安潔電子股份有限公司
Taiwan Anjie Electronics Co., Ltd

APPROVAL SHEET

Customer: 東荃科技
Customer Model No.: 5060-A227C0+490
Part No.: AJDF1J-B0003
Product Description: AJDF1J-B0003,Cable 270mm+ANT.
30x28.5x0.15,Gain > 2dBi,Black(1.13)
Issue Date: 20190917
REV.: A

Customer Approved	Anjie Approved

Taiwan Anjie Electronics Co., Ltd

台灣安潔電子股份有限公司

ADD: 1F, No.236, Sec. 3, Huanbei Rd., Jubei City,
Hsinchu County, 30265, Taiwan

地址:新竹縣竹北市環北路三段236號1樓

TEL: 886-3-5543399 FAX:886-3-5543062

電話:886-3-5543399 傳真:886-3-5543062



Content

1. Product Configuration
2. Specification
3. SWR Test Data
4. Gain / Efficiency Test Data
5. 2D Radiation Pattern
6. Drawing Layout
7. Photo





2. Specification

- . Product Number :AJDF1J-B0003
- . Version : A

Electrical Characteristics

- . Frequency (MHz) : 2400-5850 MHz
- . S.W.R. : ≤ 2.0
- . Efficiency : 48 %
- . Peak Gain : $> 2\text{dBi}$
- . Impedance : 50 ohm
- . Polarization : Linear

Mechanical Characteristics

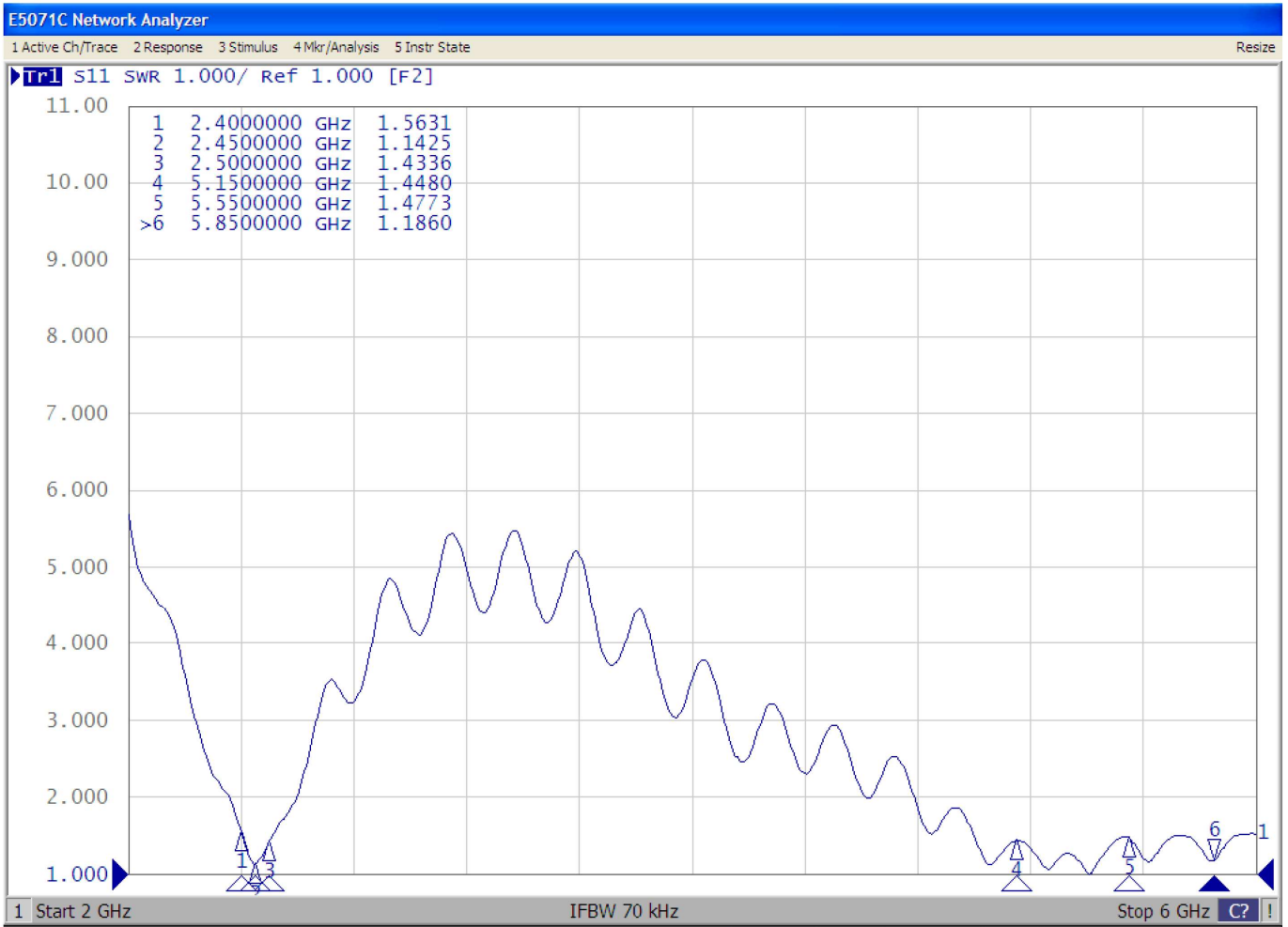
- . Cable / Connector : O.D. 1.13mm / IPEX
- . Cover Material : FPCB
- . Material : RoHS Compatible /
RoHS 2011/65/EU with IEC 62321:2008 Method

Environmental Condition

- . Operation Temperature : $-30 \sim +65 \text{ }^{\circ}\text{C}$
- . Storage Temperature : $-30 \sim +75 \text{ }^{\circ}\text{C}$



3. SWR Test Data





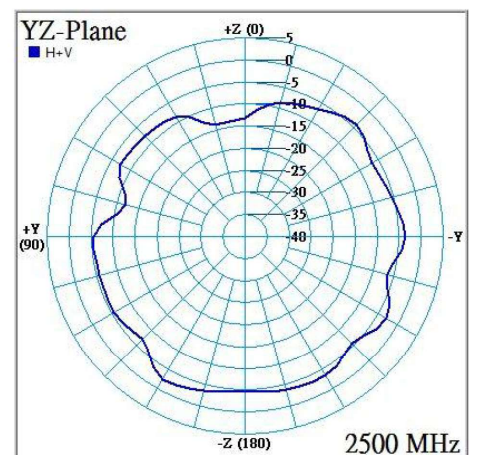
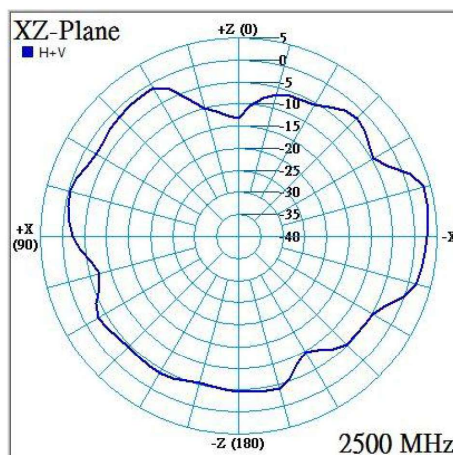
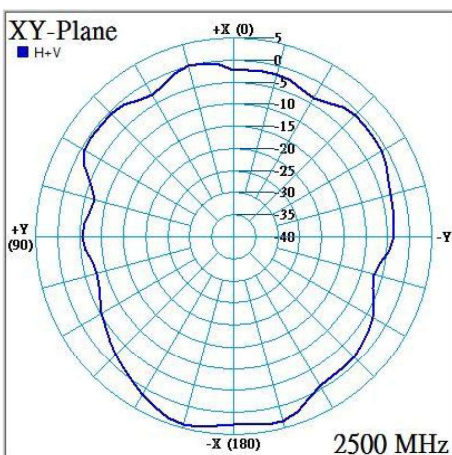
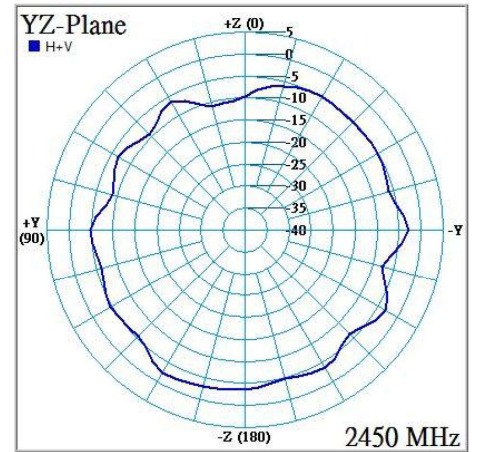
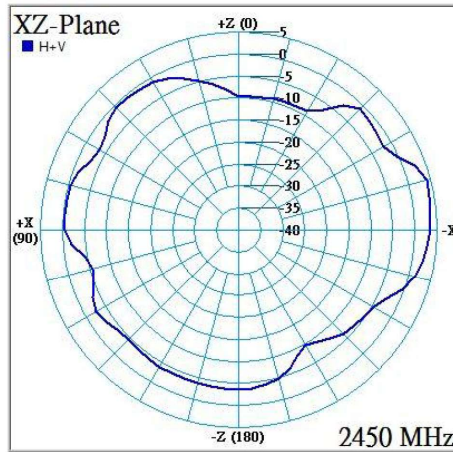
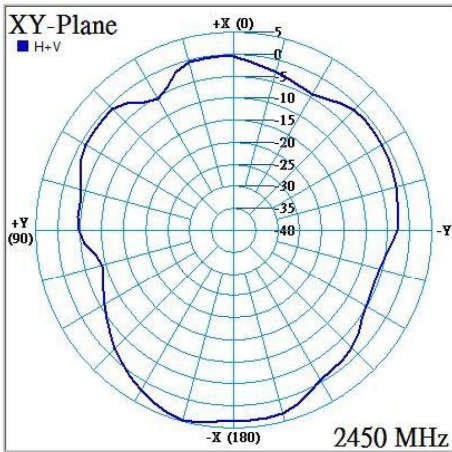
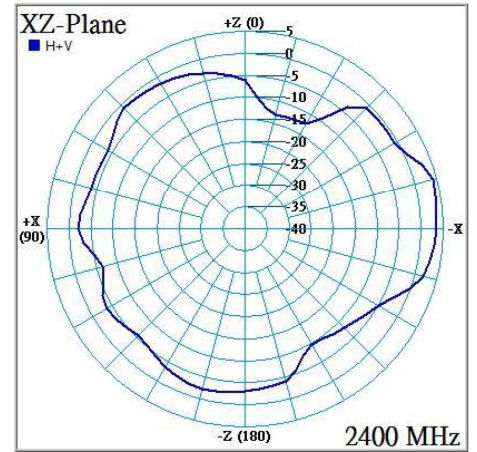
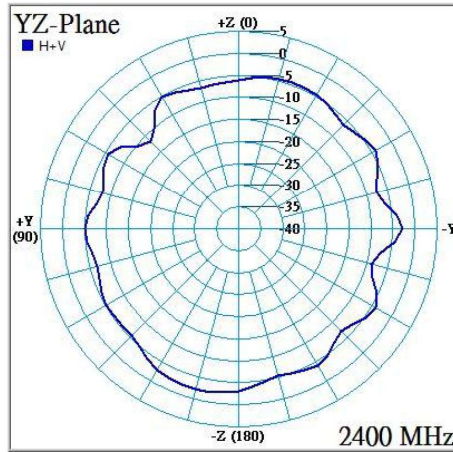
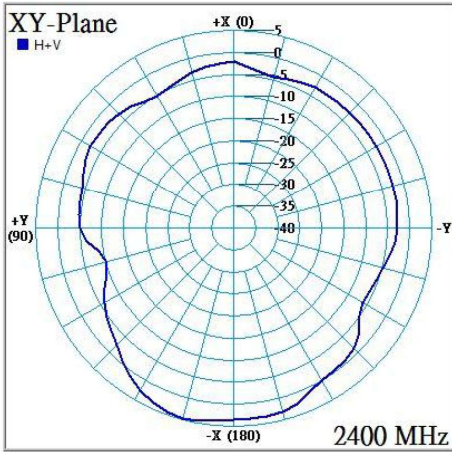
4. Gain / Efficiency Test Data

Frequency (MHz)	2400	2437	2450	2484	2500	5150	5250	5350	5470	5600	5725	5785	5850
Peak Gain (dBi)	2.72	2.76	2.78	2.17	2.25	1.62	2.16	2.47	2.18	2.10	1.98	1.48	1.83
Directivity (dBi)	5.83	5.77	5.71	5.03	5.20	5.08	5.41	5.58	5.51	5.55	5.26	4.86	5.18
Efficiency (dB)	-3.11	-3.01	-2.94	-2.86	-2.95	-3.46	-3.25	-3.11	-3.33	-3.45	-3.28	-3.38	-3.35
Efficiency (%)	48.88	50.03	50.87	51.73	50.73	45.11	47.30	48.87	46.44	45.22	47.04	45.95	46.28



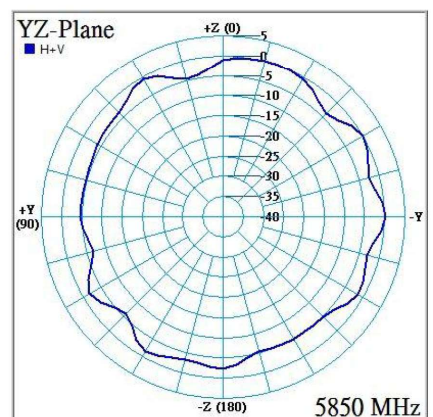
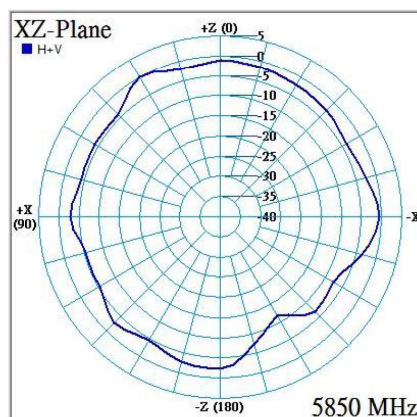
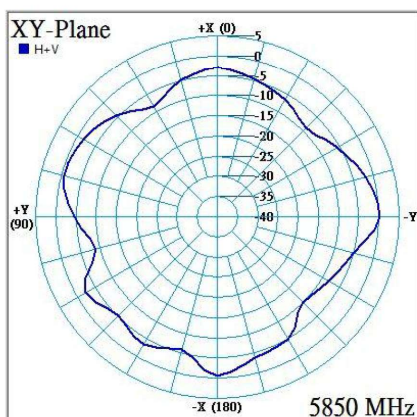
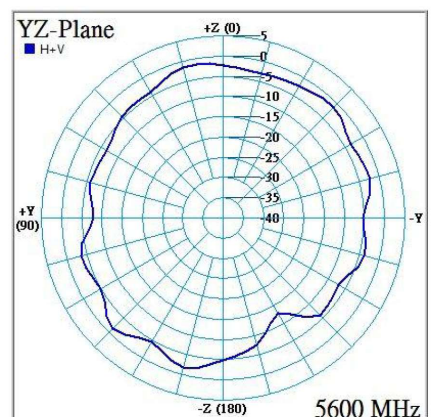
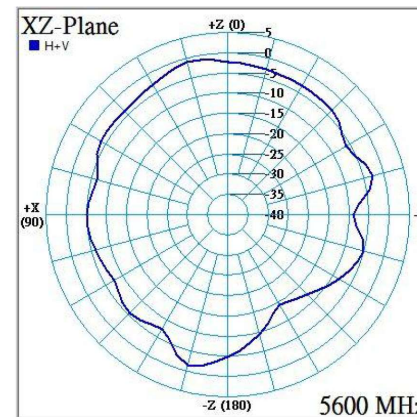
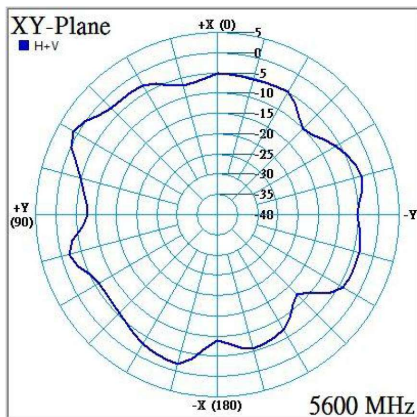
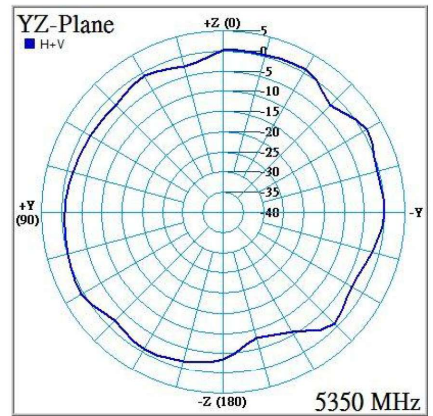
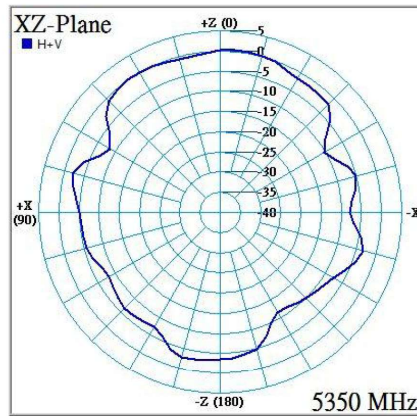
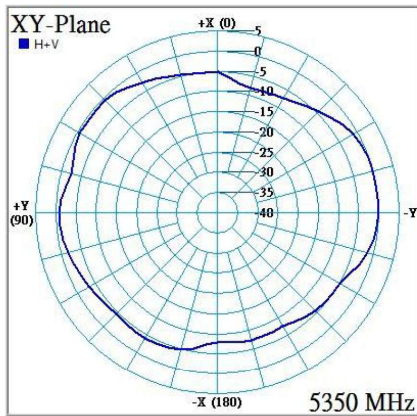
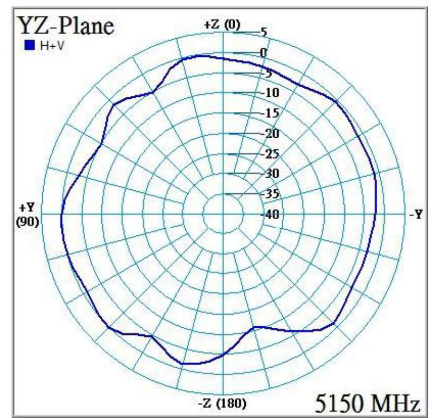
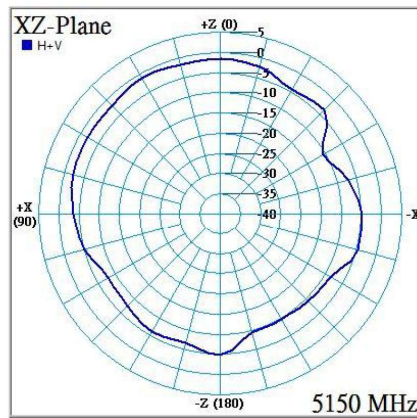
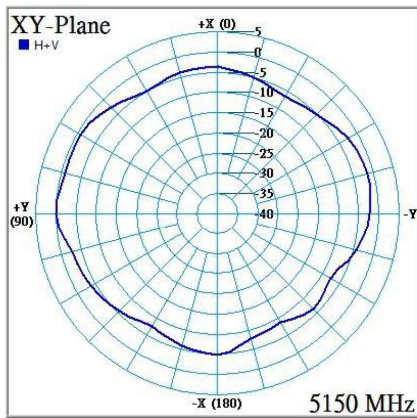


5-1. 2D Radiation Pattern

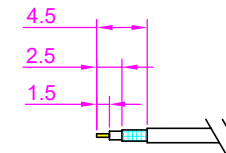
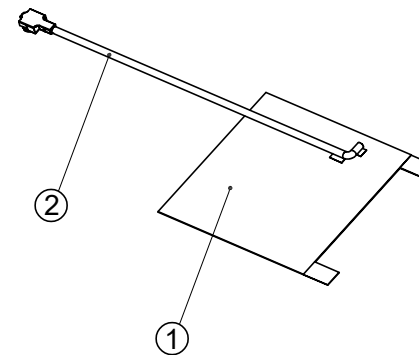
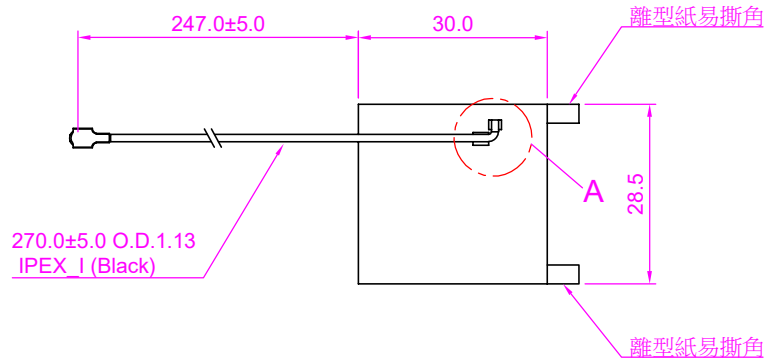




5-2. 2D Radiation Pattern



REV	DATE	DESCRIPTION
A	2019.08.30	New Release



DETAIL A

UNLESS OTHERWISE SPECIFIED
Tolerance ON:
X.X ±0.5 X° ±1.0
X.XX ±0.2

anjie Taiwan Anjie
Electronics Co.,Ltd

Customer Model: 5060-A227C0+490

TITLE: Antenna Internal WiFi

APP BY	CHK BY	DES BY	PART NO.:	Sheet	UNITS	SCALE	REV
Lin 2019.08.30 Grant	Chang 2019.08.30 Tony	Kuo 2019.08.30 Doris	AJDF1J-B0003	1 of 1	mm	1/1	A

No.	Part No.	Description	Q'ty
2	901-02537-00	O.D. 1.13mm IPEX_I ; Lengh=270mm(Black)	1
1	502-00124-00	FPCB 30*28.5*0.15mm	1



7. Photo

