

RFA-25-T42-U-M70

Revise2

Specifications

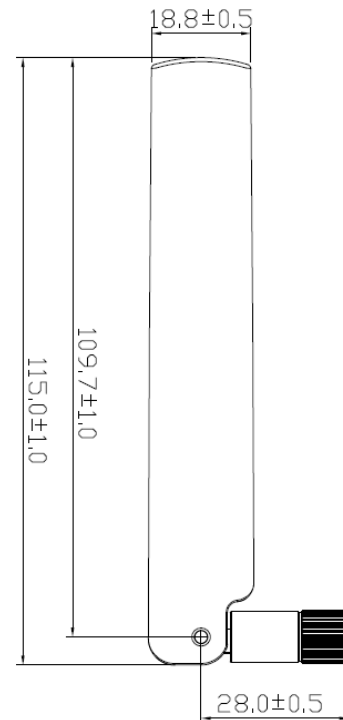
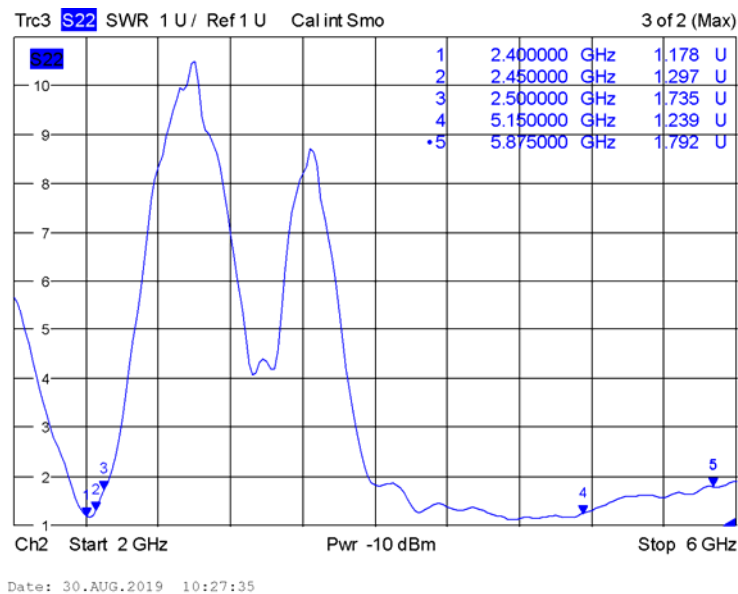
Frequency range	2400 –2500 MHz	5150–5875 MHz
Peak gain	2.6 dBi	5 dBi
Average gain	1.3 dBi	3 dBi
VSWR	2.0 : 1 Max.	2.0 : 1 Max.
Polarization	Linear, vertical	
Impedance	50 Ω	
Connector	RP SMA PLUG	

Environment & Mechanical Characteristics

Temperature	- 10°C to +55°C
Humidity	95% @ 25°C



VSWR

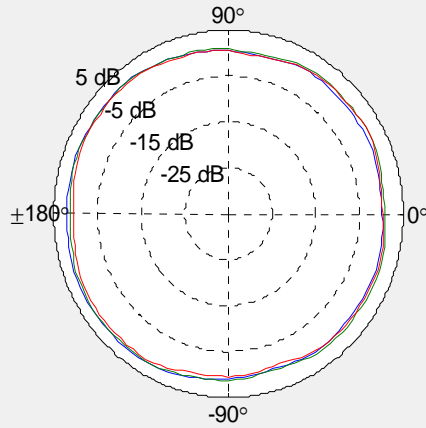


Radiation Pattern

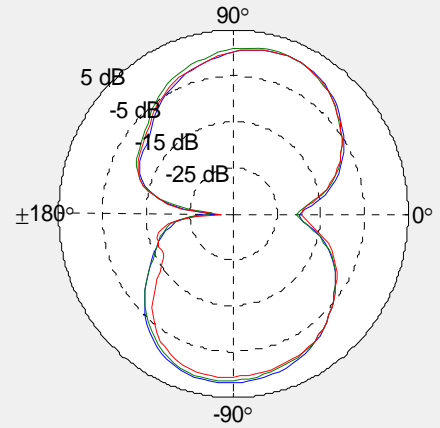
H3 Band = 2180 - 2750 MHz

- 2400 MHz
- 2450 MHz
- 2500 MHz

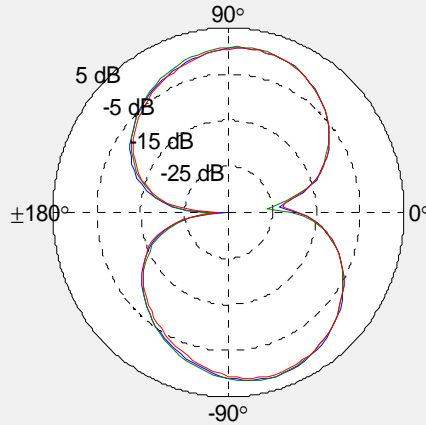
XY Plane (+X = 0°, +Y = +90°) / Elevation = 90 °



ZX Plane (+Z = 0°, +X = +90°) / Azimuth = 0 °



YZ Plane (+Z = 0°, +Y = +90°) / Azimuth = 90 °

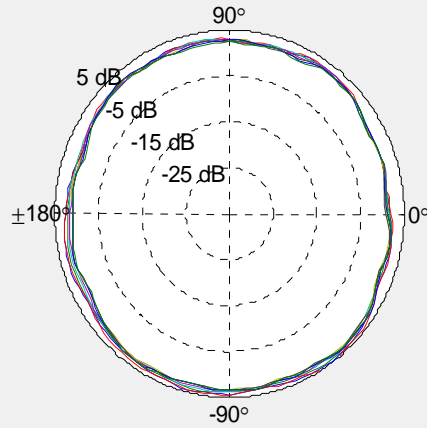


Radiation Pattern

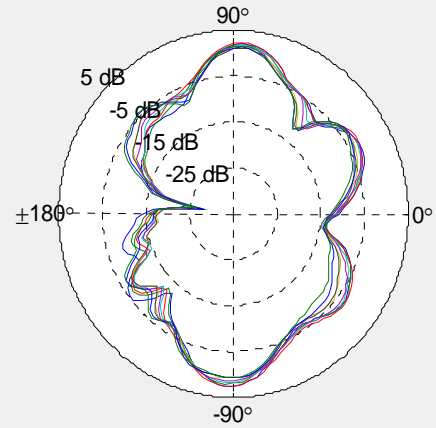
5G Band = 4400 - 6000 MHz

- 5150 MHz
- 5250 MHz
- 5350 MHz
- 5475 MHz
- 5600 MHz
- 5725 MHz
- 5750 MHz
- 5825 MHz
- 5875 MHz

XY Plane (+X = 0°, +Y = +90°) / Elevation = 90 °



ZX Plane (+Z = 0°, +X = +90°) / Azimuth = 0 °



YZ Plane (+Z = 0°, +Y = +90°) / Azimuth = 90 °

