

# Approval Sheet

---

Customer : 東荃  
Project Name : 7NB  
Customer P/N :  
Anjie P/N : AJDF1J-B0005  
Product Description : Antenna Internal WiFi / IPEX\_I /  
L=70mm / Black  
Issue Date : 2020 / 11 / 09  
Reversion : A

<b>Customer Approved</b>	<b>Anjie Approved</b>

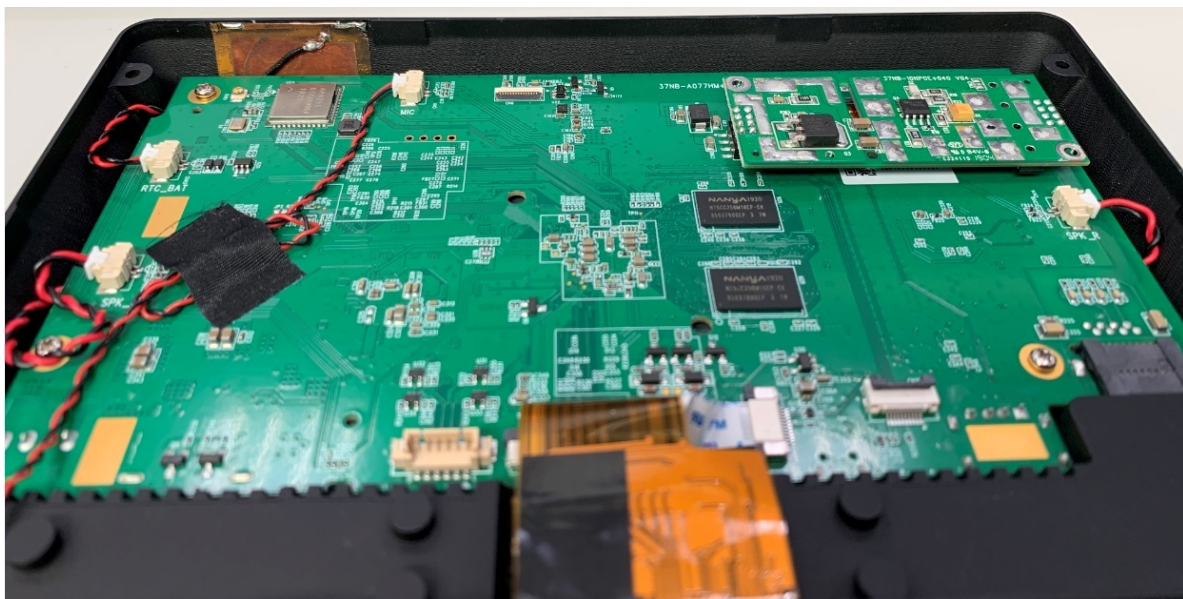
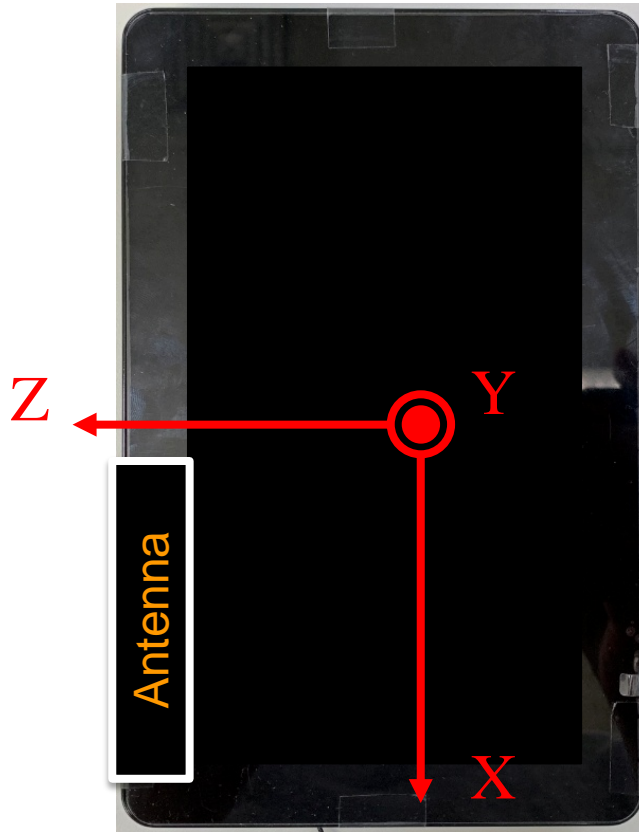
Taiwan Anjie Electronics Co.,Ltd  
Address : 1F, No.236,Sec 3, Huan-Bei Rd., Ju-Bei City  
Hsin-Chu Country, 30265, Taiwan  
Tel : +886-3-5543399 Fax : +886-3-5533062

台灣安潔電子股份有限公司  
地址：新竹縣竹北市環北路三段236號1樓  
電話：+886-3-5543399 傳真：+886-3-5543062  
Website: www.anjietw.com

# Content

1. Product Configuration
2. Specification
3. SWR Test Data
4. Gain / Efficiency Test Data
5. Drawing Layout

# 1. Product Photos and Configuration



## 2. Specification

- . Product Number :AJDF1J-B0005
- . Version : A

## Electrical Characteristics

- . Frequency (MHz) : 2400-5850 MHz
- . S.W.R. :  $\leq 2.0$
- . Efficiency : 58.8 %
- . Peak Gain : 3.55 dBi
- . Impedance : 50 ohm
- . Polarization : Linear

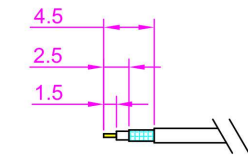
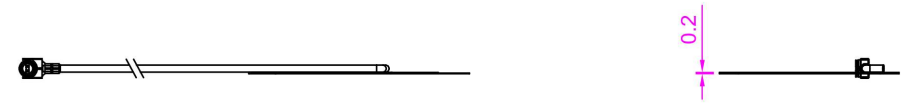
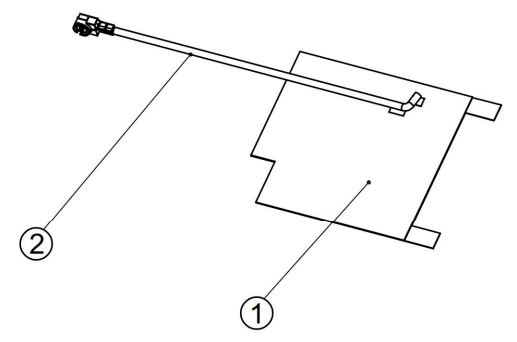
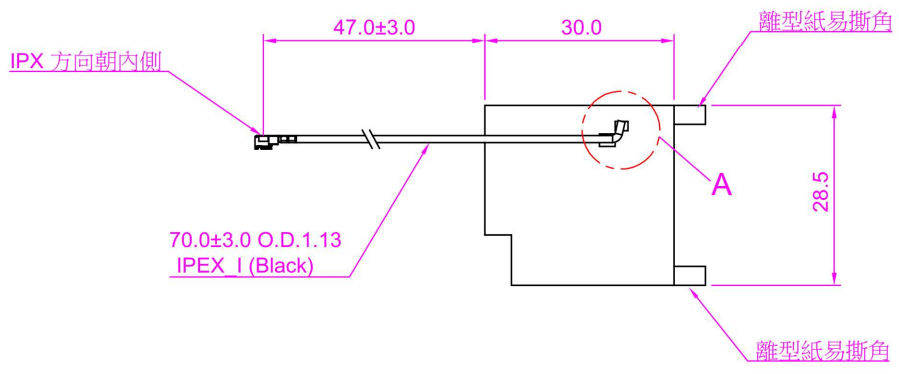
## Mechanical Characteristics

- . Cable / Connector : O.D. 1.13mm / IPEX
- . Cover Material : FPCB
- . Material : RoHS Compatible /  
RoHS 2011/65/EU with IEC 62321:2008 Method

## Environmental Condition

- . Operation Temperature : -30 ~ +65 °C
- . Storage Temperature : -30 ~ +75 °C

REV	DATE	DESCRIPTION
△	2019.09.02	New Release



DETAIL A



UNLESS OTHERWISE SPECIFIED  
Tolerance ON:  
X.X ±0.5 X° ±1.0  
X.XX ±0.2

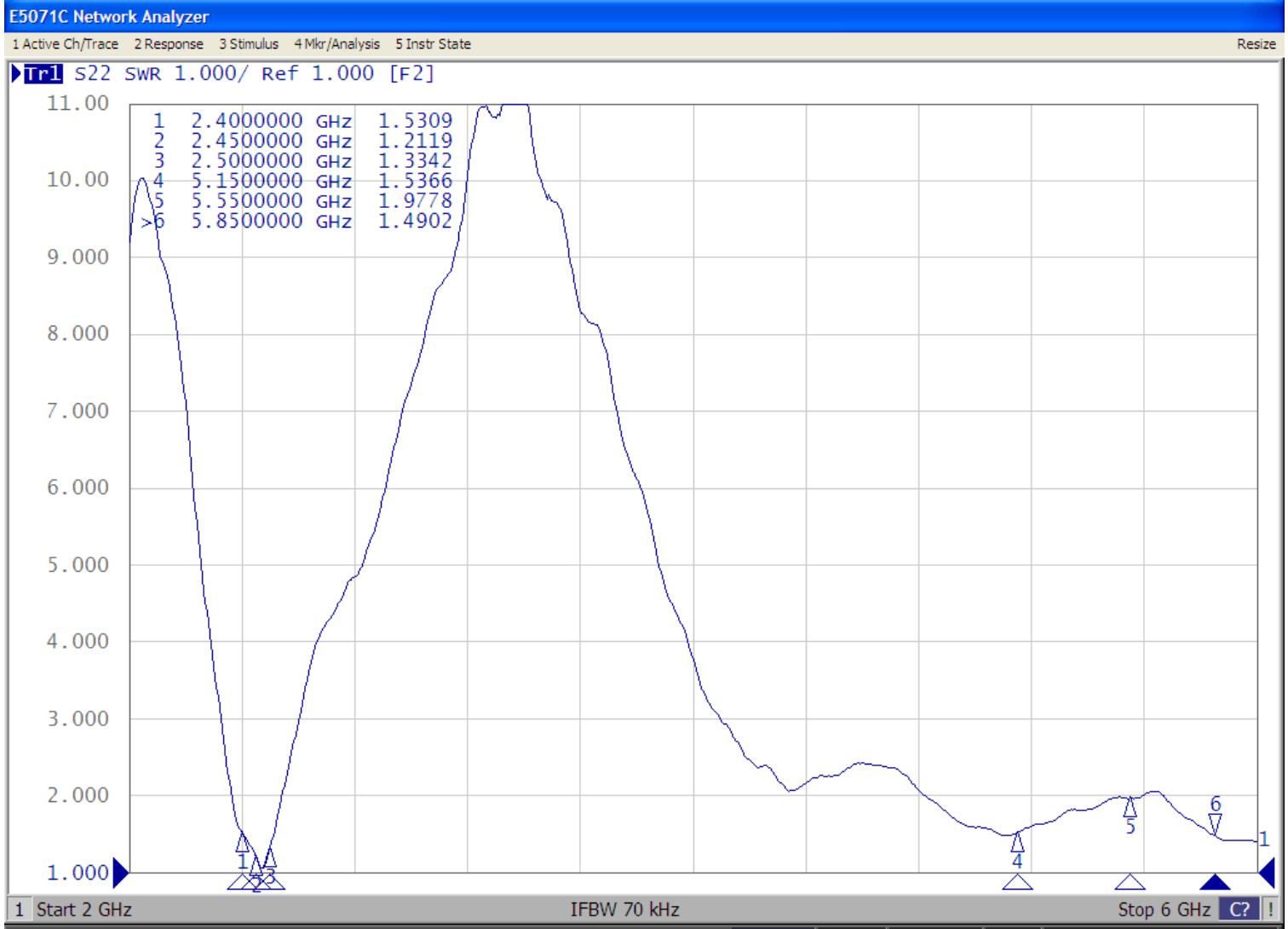
**anjie** Taiwan Anjie Electronics Co.,Ltd

Customer Model: 7NB  
TITLE: Antenna Internal WiFi

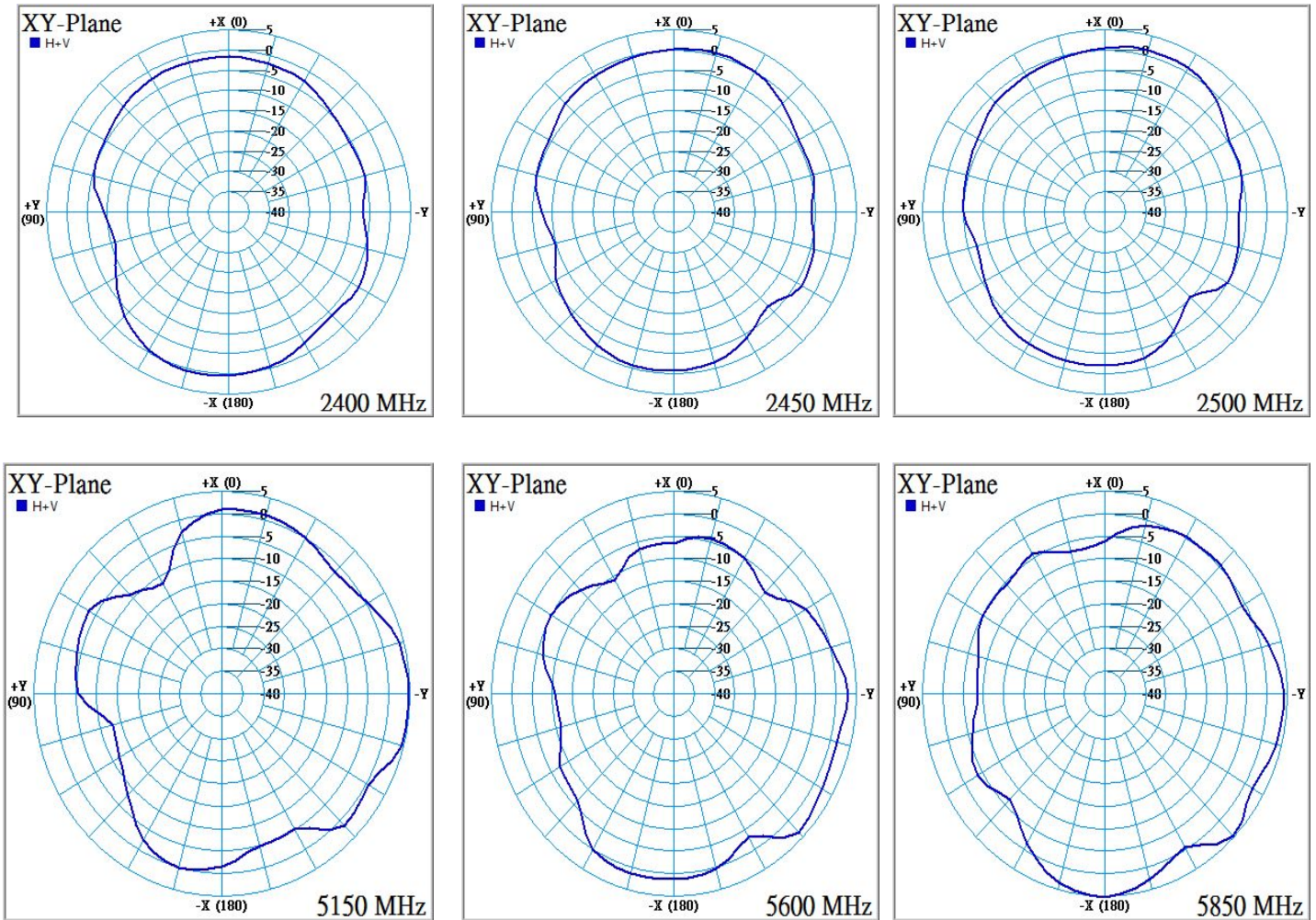
APP BY	CHK BY	DES BY	PART NO.:	AJDF1J-B0005			
Lin 2019.09.02 Grant	Chang 2019.09.02 Tony	Kuo 2019.09.02 Doris	Sheet	UNITS	SCALE	REV	
			1 of 1	mm	1 / 1	X1	

No.	Part No.	Description	Q'ty	REV
2	901-02541-00	O.D. 1.13mm IPEX_I ; Lengh=70mm(Black)	1	X1
1	502-00127-00	FPCB 30*28.5*0.15mm	1	X1

### 3. S.W.R. Test Data



## 4. Gain / Efficiency Test Data



Frequency (MHz)	2400	2437	2450	2484	2500	5150	5250	5350	5470	5600	5725	5785	5850
Peak Gain (dBi)	1.93	1.56	1.52	2.20	2.46	4.66	4.93	4.92	4.57	3.68	4.51	4.49	4.66
Directivity (dBi)	4.38	4.29	4.23	4.80	5.06	6.63	6.81	6.86	6.80	6.60	6.82	6.55	6.46
Efficiency (dB)	-2.45	-2.73	-2.71	-2.60	-2.60	-1.97	-1.87	-1.94	-2.23	-2.93	-2.32	-2.06	-1.79
Efficiency (%)	56.90	53.40	53.58	55.01	54.98	63.53	64.95	64.00	59.80	50.99	58.67	62.22	66.17