

download as PDF

notice. read this first.

warnings and important notes

before connecting this unit to other devices, turn off the power to all units. this will help prevent malfunctions and/or damage to speakers or other devices. if you need to connect/disconnect wires during use, always make sure to connect the cable to the TP-7 first.

never connect the 3.5 mm plug going from the TP-7's inputs or outputs to a microphone input with active phantom power. this could damage the TP-7.

be sure to charge the unit using only 5V usb power, such as that from the usb ports of a computer, or by using a dedicated usb charger.

make sure to read the regulatory statements [here](#)

make sure you always have the TP-7 placed so it is level and sure to remain stable.

use your TP-7 where the ambient temperature is between 0 °C and 50 °C (32 °F and 122 °F) and the relative humidity is lower than 95 %. never install or use the unit in any of the following locations:

- humid environments or baths and washrooms.
- safety-critical applications.
- nuclear facilities and weapons systems.
- aerospace applications or environments for automotive installations

caution

risk of explosion or fire if the battery is replaced with incorrect type or the unit is perforated.

do not try to charge or use a unit with a seemingly damaged battery.

only a battery supplied by teenage engineering and installed by qualified personnel should be used.

disposal of a battery into fire or a hot oven, or mechanically crushing or cutting of a battery, can result in an explosion.

leaving a battery in an extremely high temperature surrounding environment can result in an explosion or the leakage of flammable liquid or gas.

to prevent possible hearing damage, do not listen at high sound levels for long periods.

store small parts out of the reach of children and infants. if accidentally swallowed, contact an emergency medicine doctor immediately.

warranty and return policy

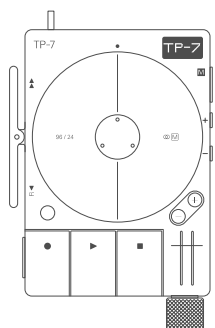
the TP-7 is fully factory tested and comes with a 12 month (from purchase date) warranty. this does not include malfunction due to misuse of the device, such as being dropped, crushed or used in an application of inappropriate voltages to the device's connectors or improperly designed or executed modifications.

in particular, you are the sole responsible for damage caused by a charging method other than 5V usb power.

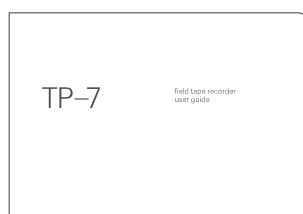
the warranty does not cover shipping charges. make sure to read the terms and conditions [here](#)

what's in the box

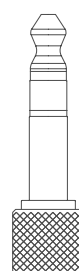
check that the following items are included when you open the box



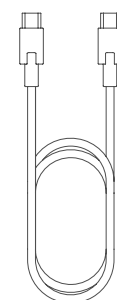
TP-7 unit



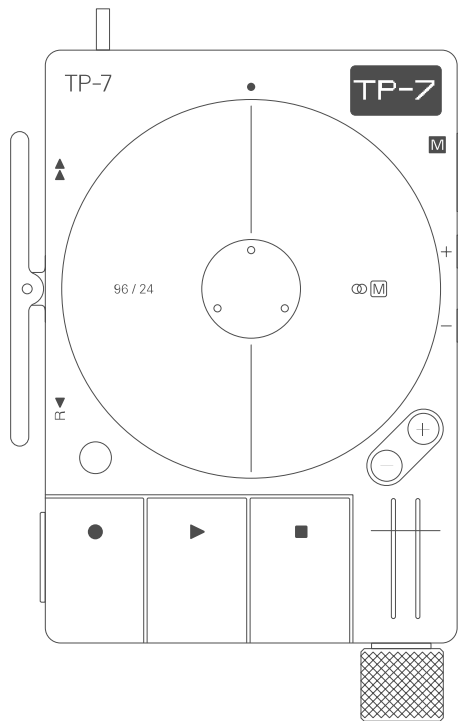
user's guide



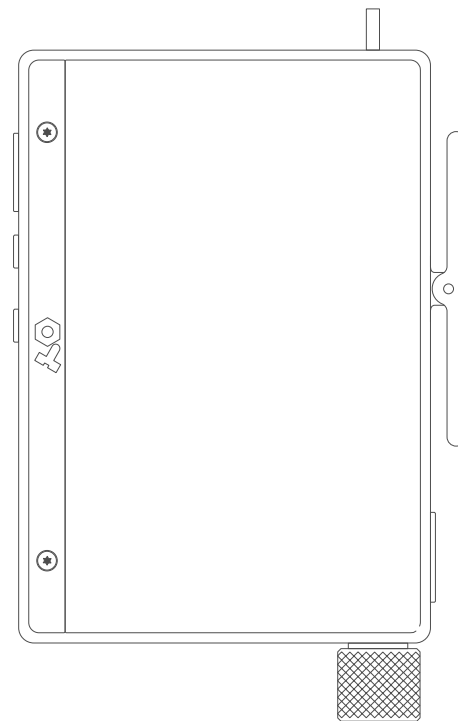
6.3 mm adapter



usb-c cable



made in durable aluminium, with pu syntethic leather backing and custom made wheel and rocker.



the main control and navigation centers around the wheel, with all functions displayed on the compact oled screen.

this guide takes you through the layout, connectivity, various modes and general functions of your TP-7.

[guide here]

technical specs

TP-7 highlights

- ultra-portable pro recorder
- 3 trrs stereo input/headset mini jacks
- 1 main / headphones output
- usb audio / midi
- midi over usb-c and bluetooth le
- 8 hour rechargeable battery
- 128x64 pixel monochrome display
- connect to iPhone, lightning cable

inputs and outputs

- 24-bit/96 kHz usb audio interface
- 3 stereo two-way jack input / headset connectors
- 1 stereo headphones connectors
- bluetooth low energy radio interface
- stereo or mono for each input

electrical characteristics

two-way jacks:
input impedance 9.5 kOhm
analog gain 0 - 42 dB,
max level 8 dBu, 2 Vrms
SNR ~ 105 dBA

headset:
max level 2 dBu, 1 Vrms
SNR 110 dBA
microphone SNR 98 dBA

headphone output:
max level 8 dBu, 2 Vrms
SNR 120 dBA

handling

ambient working temperature:
0-50°C (32-122°F)

ambient storage temperature:
0-30°C (32-86°F)

clean the shell of the unit with a microfibre cloth. use pressurized air to remove dust from the faders.

to keep the battery healthy, the unit should be charged at least every 6 months. if not used for a long time, it may not charge again.

statements

teenage engineering TP-7
model no: TE025AS001

fcc regulatory compliance

this device complies with part 15 of the fcc rules. operation is subject to the following two conditions: (1) this device may not cause harmful interference, and (2) this device must accept any interference received, including interference that may cause undesired operation.

warning: changes or modifications not expressly approved by the party responsible for compliance could void the user's authority to operate the equipment.

note: this equipment has been tested and found to comply with the limits for a class b digital device, pursuant to part 15 of the fcc rules. these limits are designed to provide reasonable protection against harmful interference in a residential installation. this equipment generates, uses and can radiate radio frequency energy and, if not installed and used in accordance with the instructions, may cause harmful interference to radio communications. however, there is no guarantee that interference will not occur in a particular installation. if this equipment does cause harmful interference to radio or television reception, which can be determined by turning the equipment off and on, the user is encouraged to try to correct the interference by one or more of the following measures:

- reorient or relocate the receiving antenna.
- increase the separation between the equipment and receiver.
- connect the equipment into an outlet on a circuit different from that to which the receiver is connected.
- consult the dealer or an experienced radio/TV technician for help.

this equipment complies with fcc radiation exposure limits set forth for an uncontrolled environment. end user must follow the specific operating instructions for satisfying rf exposure compliance. this transmitter must not be co-located or operating in conjunction with any other antenna or transmitter. the portable device is designed to meet the requirements for exposure to radio waves established by fcc. these requirements set a SAR limit of 1.6 W/kg averaged over one gram of tissue. the highest SAR value reported during product certification for use when properly worn on the body, with 0 mm separation, was 0.63 W/kg.

FCC ID: Z23025A

ised regulatory compliance

this device contains licence-exempt transmitters that comply with innovation, science and economic development canada's licence-exempt rss(s).

operation is subject to the following two conditions

- (1) this device may not cause interference.
- (2) this device must accept any interference, including interference that may cause undesired operation of the device.

this equipment complies with ISED radiation exposure limits set forth for an uncontrolled environment. end user must follow the specific operating instructions for satisfying rf exposure compliance. this transmitter must not be co-located or operating in conjunction with any other antenna or transmitter.

the portable device is designed to meet the requirements for exposure to radio waves established by ISED. these requirements set a SAR limit of 1.6 W/kg averaged over one gram of tissue. the highest SAR value reported during product certification for use when properly worn on the body, with 0 mm separation, was 0.63 W/kg.

IC: 9915A-025A

conformité réglementaire d'ised

l'émetteur exempt de licence contenudans le présent appareil est conforme aux cnr d'innovation, sciences et développement économique canada applicables aux appareils radio exempts de licence. l'exploitation est autorisée aux deux conditions suivantes:

- (1) l'appareil ne doit pas produire de brouillage;
- (2) l'appareil doit accepter tout brouillage radioélectrique subi, même si le brouillage est susceptible d'en compromettre le fonctionnement.

cet équipement est conforme aux limites d'exposition aux rayonnements ISED établies pour un environnement non contrôlé. l'utilisateur final doit suivre les instructions spécifiques pour satisfaire les normes. cet émetteur ne doit pas être co-implanté ou fonctionner en conjonction avec toute autre antenne ou transmetteur.

l'appareil portable est conçu pour répondre aux exigences d'exposition aux ondes radio établies par l'ISED ces exigences établissent un SAR limite de 1.6 W/kg en moyenne pour un gramme de tissu organique. la valeur SAR la plus élevée signalée lors de la certification de produit à utiliser lorsqu'il est correctement porté sur le corps, avec une séparation de 0 mm, est 0.63 W/kg.

IC: 9915A-025A

eu compliance

hereby, teenage engineering declares that the radio equipment type TP-7 is in compliance with the CE directive. the eu declaration of conformity is available [here](#)

frequency band:
2400 - 2483.5 MHz

maximum output power:
10 dBm EIRP

uk compliance

hereby, teenage engineering declares that the radio equipment type TP-7 is in compliance with radio equipment regulations 2017. the full text of the UK declaration of conformity is available [here](#)

recycling

electrical and electronic equipment, parts and batteries marked with this crossed-out wheelee bin symbol must not be disposed of with normal household wastage; it must be collected and disposed of separately to protect the environment. this product contains a built in Li Ion battery.

