

Title: Project System block Diagram

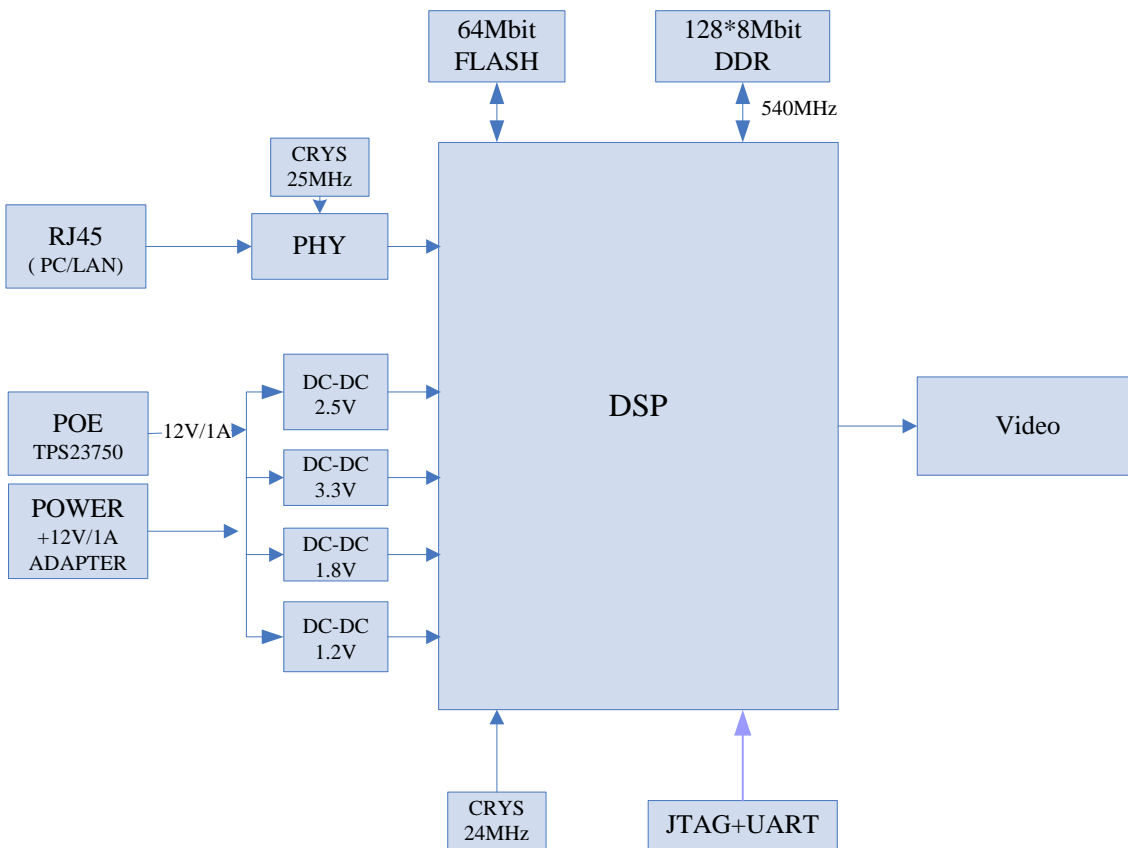
Owner: DWMo
Reviewers:

REVISION HISTORY

Version	Date	Changed By	Changes
1.0	2012-9-18	DWMo	First release edition
N/C	N/C	N/C	N/C

Over View:

1. GXV3672_HD System Block Diagram:



GXV3672_HD System Block Diagram

General description

GXV3672_HD comprises the following subsystems:

- The DSP processor and Power management and Video engine
- An external Ethernet Switch
- An external DDR code execution and data
- An NAND flash for code/data storage

POE supply +12V voltage

Title: Project System block Diagram

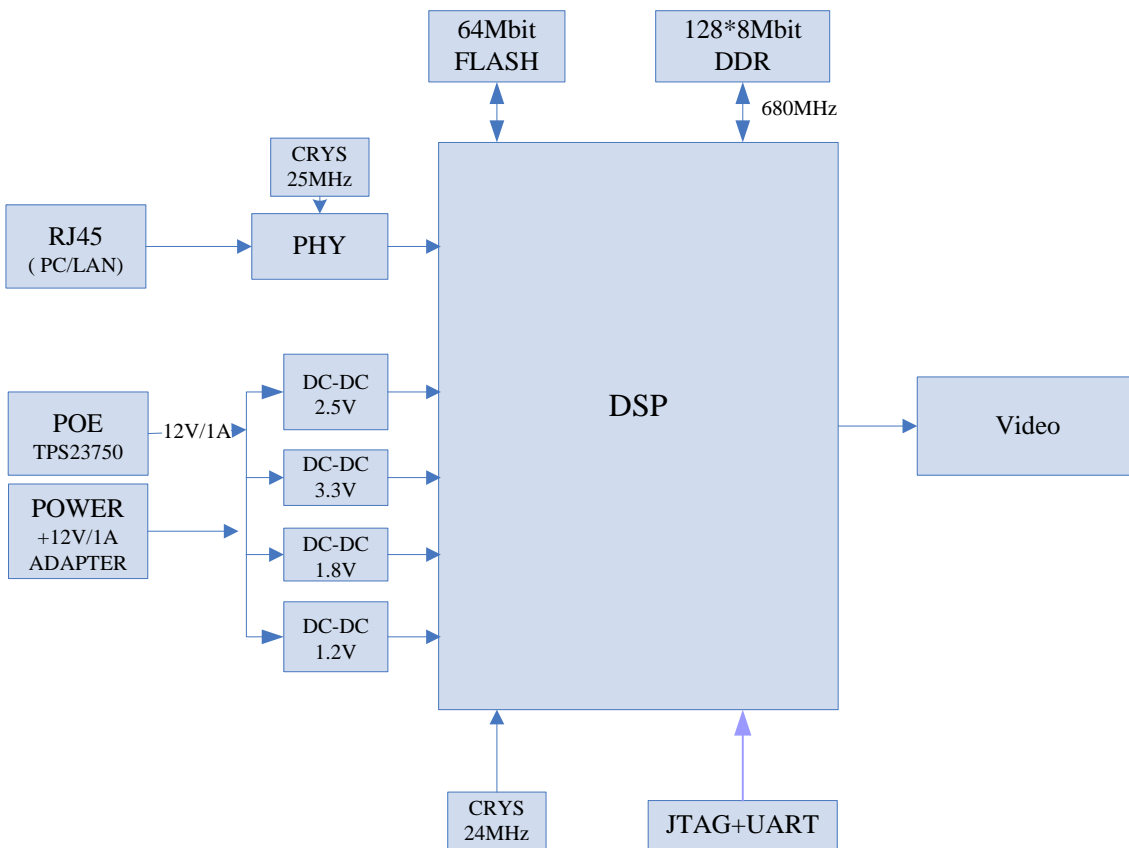
Owner: DWMo
 Reviewers:

REVISION HISTORY

Version	Date	Changed By	Changes
1.0	2012-9-18	DWMo	First release edition
N/C	N/C	N/C	N/C

Over View:

1. GXV3672_FHD System Block Diagram:



GXV3672_FHD System Block Diagram

General description

GXV3672_FHD comprises the following subsystems:

- The DSP processor and Power management and Video engine
- An external Ethernet Switch
- An external DDR code execution and data
- An NAND flash for code/data storage

POE supply +12V voltage