



Grandstream Networks, Inc.

126 Brookline Ave, 3rd Floor
Boston, MA 02215. USA
Tel : +1 (617) 566 - 9300
Fax: +1 (617) 249 - 1987
www.grandstream.com



For Certification, Warranty and RMA information, please visit
www.grandstream.com

GWN7812P

Enterprise Layer 3 Managed Network Switch

Quick Installation Guide

OVERVIEW

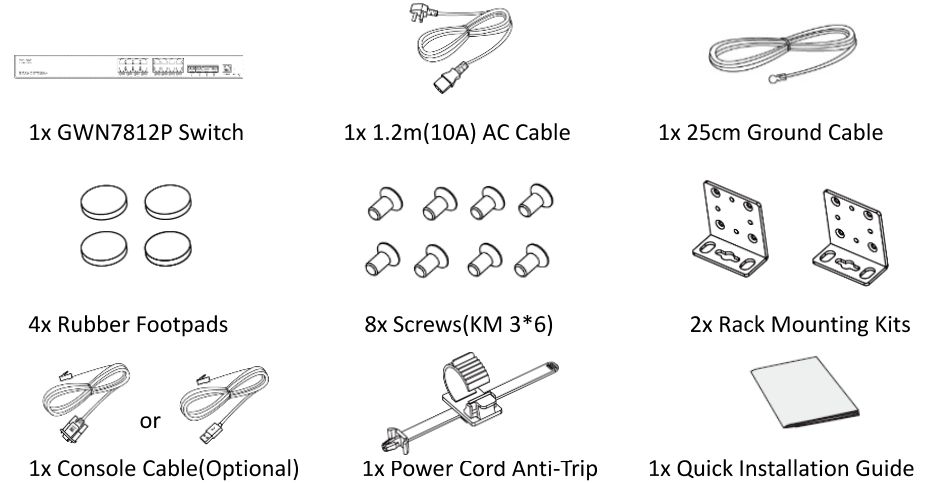
The GWN7812P is Layer 3 managed network switches that allow medium-to-large enterprises to build scalable, secure, high performance, and smart business networks that are fully manageable. It supports advanced VLAN for flexible and sophisticated traffic segmentation, advanced QoS for prioritization of network traffic, IGMP/MLD Snooping for network performance optimization, and comprehensive security capabilities against potential attacks. The PoE models provides smart dynamic PoE output to power IP phones, IP cameras, Wi-Fi access points and other PoE endpoints. GWN7812P can be managed in a number of ways, including the local Web user interface of the GWN7812P switch and CLI, the command-line interface. The series is also supported by GWN.Cloud and GWN Manager, Grandstream’s cloud and on-premise network management platform. The GWN7812P is the best value enterprise-grade managed network switches for medium-to-large businesses.

PRECAUTIONS

- Do not attempt to open, disassemble, or modify the device.
- Do not expose this device to temperature outside range of 0 °C to 45 °C for operation and -10 °C to 60 °C for storage.
- Do not expose this device to environments outside of the following humidity range: 10-90% RH (non-condensing) for operation and 5-95% RH (non-condensing) for storage.
- Do not power cycle your GWN7812P during system boot up or firmware upgrade. You may corrupt firmware images and cause the unit to malfunction.

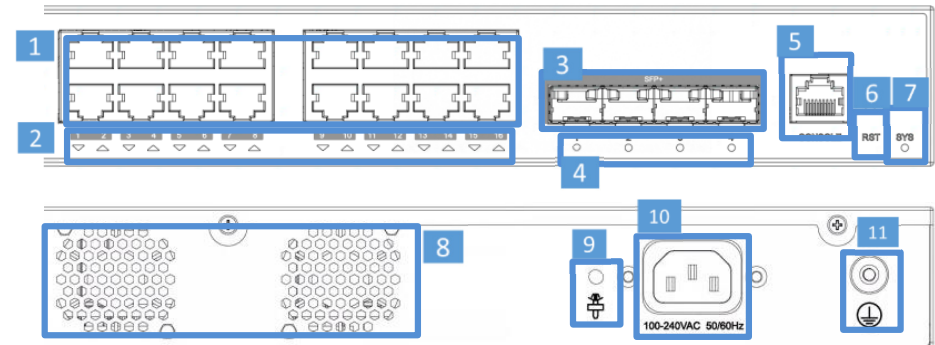
PAKEAGE CONTENTS



GWN7812P



PORTS & LED Indicator

GWN7812P



No.	Port&LED	Description
1	Port 1-16	16x Ethernet RJ45(10/100/1000Mbps) support PoE/PoE+, used for connecting terminals
2	1-16	Ethernet ports' LED indicators
3	Port SFP+ 1/2/3/4	4x 10Gbps SFP+ ports
4	SFP+ 1/2/3/4	SFP+ ports' LED indicators
5	Console	1x Console port, used for connecting managing PC
6	RST	Factory Reset pinhole Press for 5 seconds to reset factory default settings
7	SYS	System LED indicator
8	Fan	2x Fans
9		Power cord anti-trip hole
10	100-240VAC 50-60Hz	Power outlet
11		Lighting protection grounding post

LED Indicator

LED Indicator	Status	Description
	Off	Power off
	Solid green	Booting
	Flashing green	Upgrade

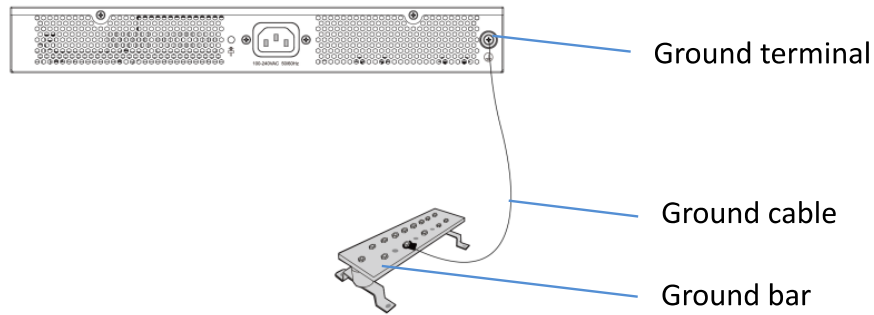
	Solid blue	Normal use
	Flash blue	Privisioning
	Solid red	Upgrade failed
	Flashing red	Factory reset
Port Indicator	Off	For all ports, port off & For SFP+ ports, port failure
	Solid green	Port connected and there is no activity
	Flashing green	Port connected and data is transferring
	Solid yellow	Ethernet port connected and PoE powered
	Flashing yellow	Ethernet port connected, data is transferring and PoE powered
	Alternately flashing yellow and green	Ethernet port failure

POWERING & CONNECTING

Grounding the Switch

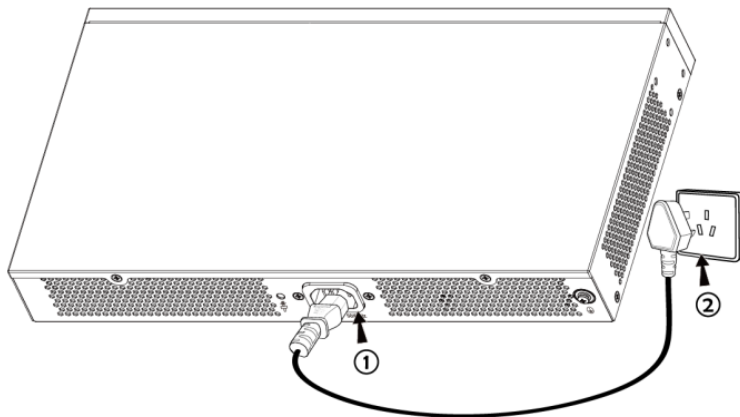
1. Remove the ground screw from the back of switch, and connect one end of the ground cable to the wiring terminal of switch.
2. Put the ground screw back into the screw hole, and tighten it with a screwdriver.

3. Connect the other end of the ground cable to other device that has been grounded or directly to the terminal of the ground bar in the equipment room.



Powering on the Switch

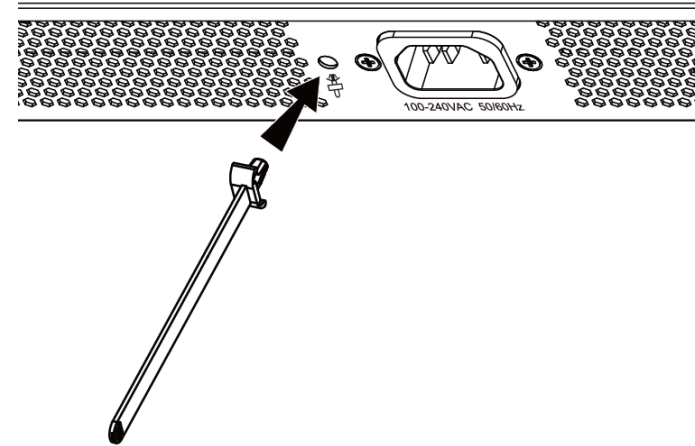
Connect the power cable and the switch first, then connect the power cable to the power supply system of the equipment room.



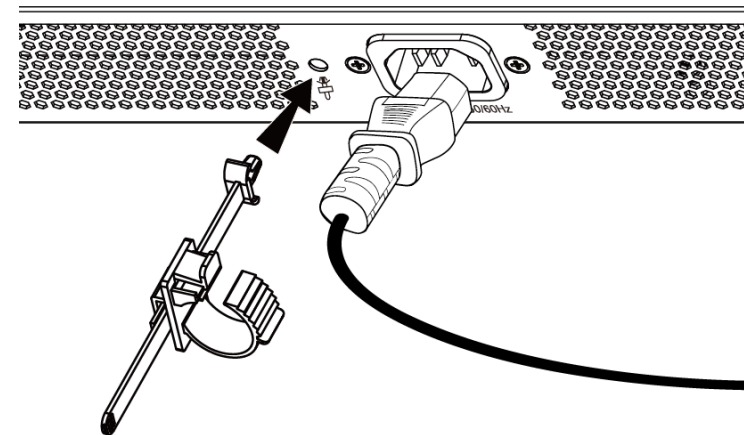
Connecting Power Cord Anti-Trip

In order to protect the power supply from accidental disconnection, it's recommended to use a power cord anti-trip for installation.

1. Place the smooth side of the fixing strap towards the power outlet and insert it into the hole on the side of it.



2. After plugging the power cord into the power outlet, slide the protector over the remaining strap until it slides over the end of the power cord.

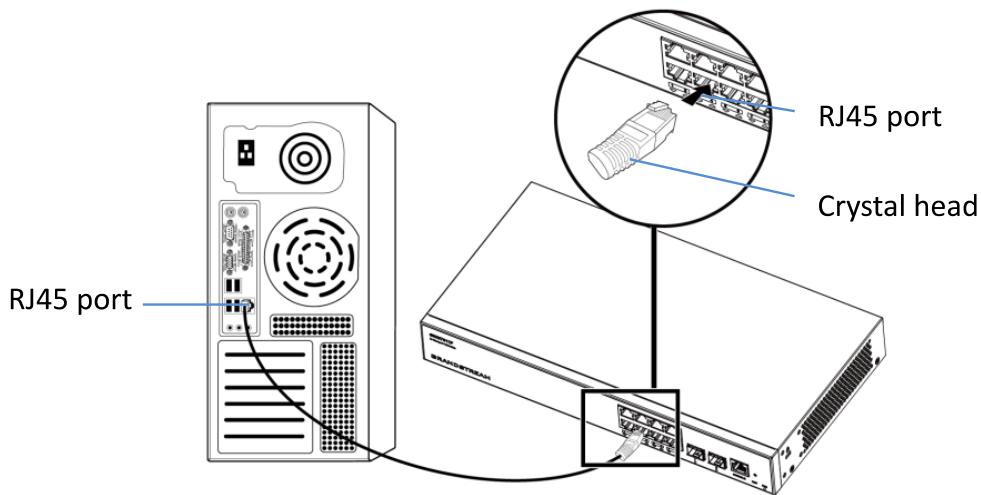


3. Wrap the strap of the protective cord around the power cord and lock it tightly. Fasten the straps until the power cord is securely fastened.

PORT CONNECTING

Connect to RJ45 Port

1. Connect one end of the network cable to the switch, and the other end to the peer device.

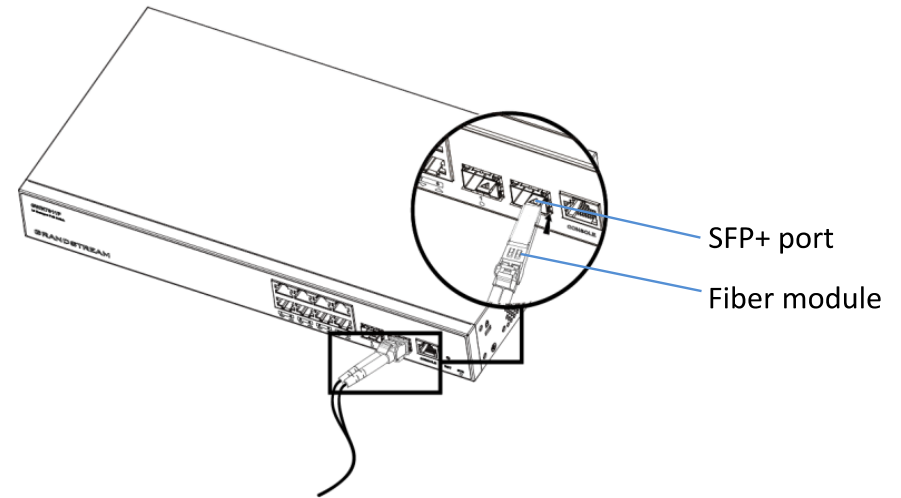


2. After powered on, check the status of the port indicator. If on, it means that the link is connected normally; if off, it means the link is disconnected, please check the cable and the peer device whether is enabled.

Connect to SFP+ Port

The installation process of the fiber module is as follows:

1. Grasp the fiber module from the side and insert it smoothly along the switch SFP+ port slot until the module is in close contact with the switch.



2. When connecting, pay attention to confirm the Rx and Tx ports of SFP fiber module. Insert one end of the fiber into the Rx and Tx ports correspondingly, and connect the other end to another device.

3. After powered on, check the status of the port indicator. If on, it means that the link is connected normally; if off, it means the link is disconnected, please check the cable and the peer device whether is enabled.

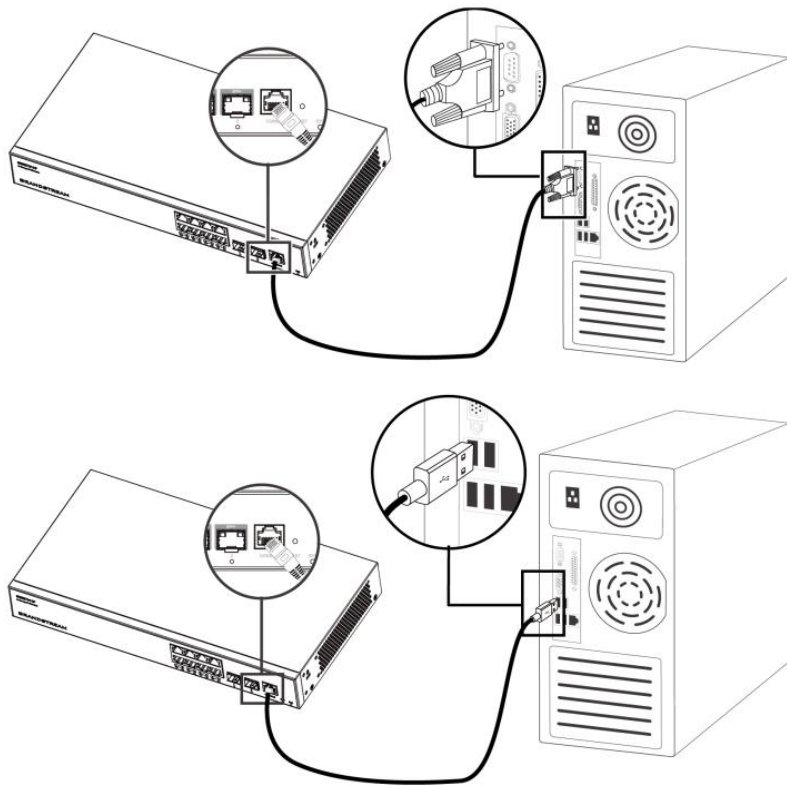
Notes:

1. Please select the optical fiber cable according to the module type. The multi-mode module corresponds to the multi-mode optical fiber, and the single-mode module corresponds to the single-mode optical fiber.
2. Please select the same wavelength optical fiber cable for connection.

3. Please select an appropriate optical module according to the actual networking situation to meet different transmission distance requirements.
4. The laser of the first-class laser products is harmful to eyes. Do not look directly at the optical fiber connector.

Connect to Console Port

1. Connect the console cable to the DB9 male connector or USB port to the PC.
2. Connect the other end of the RJ45 end of the console cable to the console port of switch.



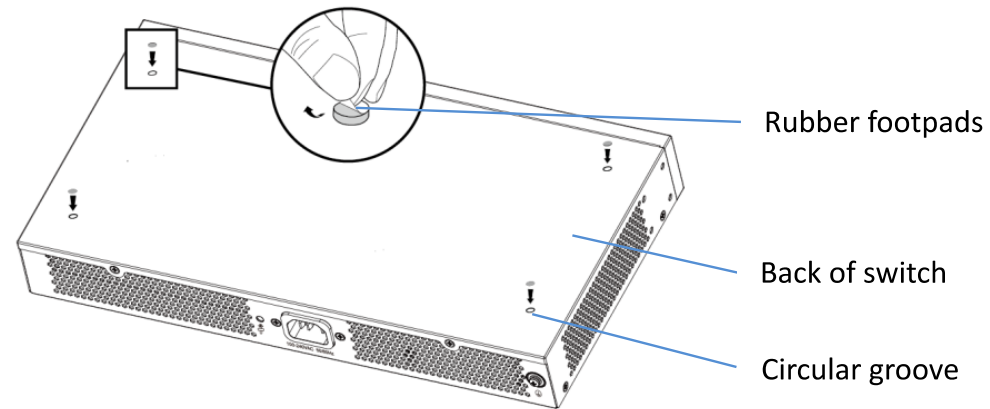
Notes:

1. To connect, the steps order (1->2) must be respected.
2. To disconnect, the steps order is reversed (2->1).

INSTALLATION

Install on the Desktop

1. Place the bottom of switch on a sufficiently large and stable table.
2. Peel off the rubber protective paper of the four footpads one by one, and stick them in the corresponding circular grooves at the four corners of the bottom of the case.
3. Flip the switch over and place it smoothly on the table.

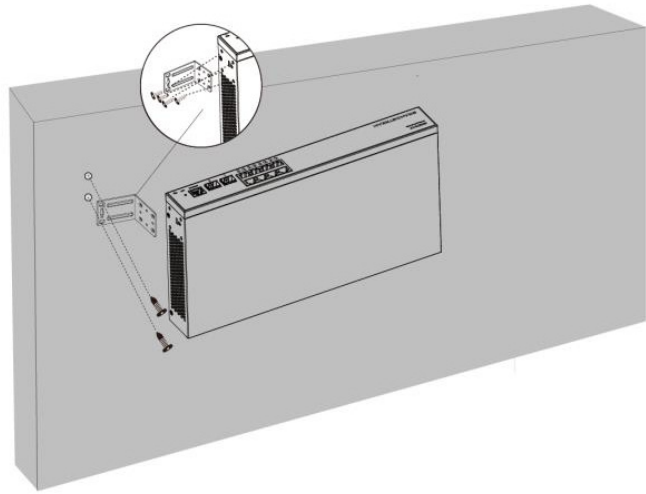


Install on the Wall

1. Use the matching screws (KM 3*6) to fix the two L-shaped rack-mounting kits (rotated 90°) on both sides of switch.

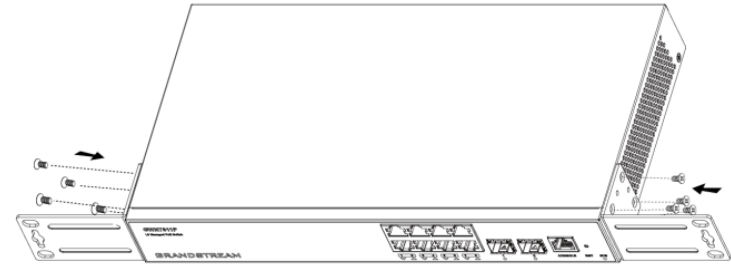
2. Stick the switch port up and horizontally on the selected wall, mark the position of the screw hole on the L-shaped rack-mounting kits with a marker. Then, drill a hole at the marked position with an impact drill, and drill the expansion screws(prepared by yourself) into the drilled hole in the wall.

3. Use a screwdriver to tighten the screws(prepared by yourself) that have passed through the L-shaped rack-mounting kits to tighten the expansion solenoids to ensure that the switch is firmly installed on the wall.

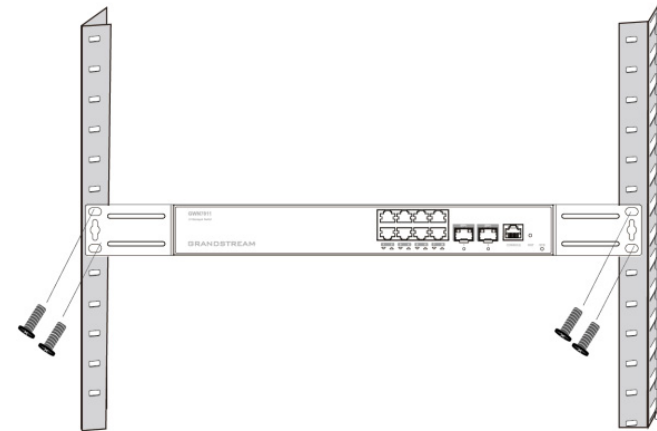


Install on a 19" Standard Rack

1. Check the grounding and stability of the rack.
2. Install the two L-shaped rack-mounting in the accessories on both sides of switch, and fix them with the screws provided(KM 3*6).



3. Place the switch in a proper position in the rack and support it by the bracket.
4. Fix the L-shaped rack-mounting to the guide grooves at both ends of the rack with screws(prepared by yourself) to ensure that the switch is stably and horizontally installed on the rack.

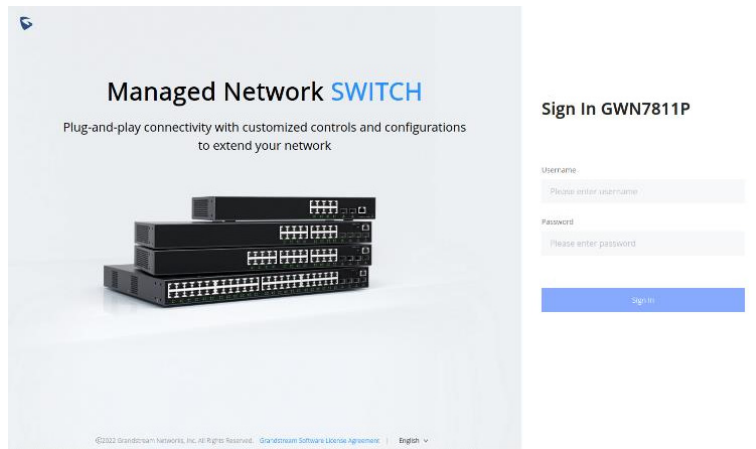


ACCESS & CONFIGURE

Note: If no DHCP server is available, the GWN7812P default IP address is 192.168.0.254.

Method 1: Login using the Web UI

1. A PC uses a network cable to correctly connect any RJ45 port of switch.
2. Set the Ethernet (or local connection) IP address of the PC to 192.168.0.x (“x” is any value between 1-253), and the subnet mask to 255.255.255.0, so that it is in the same network segment with switch IP address. If DHCP is used, this step could be skipped.
3. Type the switch’s default management IP address https://<gwn7812P_IP> in the browser, and enter username and password to login(The default administrator username is “admin” and the default random password can be found at the sticker on the GWN7812P switch).



Method 2: Login using the Console

1. Use the console cable to connect the console port of switch and the serial port of PC.
2. Open the terminal emulation program of PC(e.g. SecureCRT), enter the default username and password to login(The default

administrator username is “admin” and the default random password can be found at the sticker on the GWN7812P switch).

Method 3: Login Remotely using SSH/Telnet

1. Turn on the Telnet of switch.
2. Enter “*cmd*” in PC/Start.
3. Enter *telnet <gwn7812P_IP>* in the cmd window.
4. Enter the default username and password to login(The default administrator username is “admin” and the default random password can be found at the sticker on the GWN7812P switch).

Method 4: Configure using GWN.Cloud / GWN Manager

Type <https://www.gwn.cloud> (https://<gwn_manager_IP> for GWN Manager) in the browser, and enter the account and password to login the cloud platform. If you don’t have an account, please register first or ask the administrator to assign one for you.

The GNU GPL license terms are incorporated into the device firmware and can be accessed via the Web user interface of the device at `my_device_ip/gpl_license`. It can also be accessed here: <http://www.grandstream.com/legal/open-source-software>

To obtain a CD with GPL source code information please submit a written request to info@grandstream.com

Refer to online documents and FAQ for more detailed information:

<http://www.grandstream.com/our-products>

Certification Regulatory Information

U.S. FCC Part 15 Regulatory Information

This device complies with part 15 of the FCC Rules. Operation is subject to the following two conditions:(1) this device may not cause harmful interference, and(2) this device must accept any interference received, including interference that may cause undesired operation.

Any Changes or modifications not expressly approved by the party responsible for compliance could void the user's authority to operate the equipment.

NOTE: This equipment has been tested and found to comply with the limits for a Class A digital device, pursuant to part 15 of the FCC Rules. These limits are designed to provide reasonable protection against harmful interference when the equipment is operated in a commercial environment. This equipment generates, uses, and can radiate radio frequency energy and, if not installed and used in accordance with the instruction manual, may cause harmful interference to radio communications. Operation of this equipment in a residential area is likely to cause harmful interference in which case the user will be required to correct the interference at his own expense.

Canada Regulatory Information

CAN ICES-003 (A)/NMB-003(A)

This product meets the applicable Innovation, Science and Economic Development Canada technical specifications. Le présent produit est conforme aux spécifications techniques applicables d'Innovation, Sciences et Développement économique Canada.

EU Regulatory Information

Hereby, [[Grandstream Networks, Inc.](#)] declares that the equipment type [[GWN7812P](#)] is in compliance with Directive 2014/30/EU&2014/35/EU.

The full text of the EU declaration of conformity is available at the following internet address: www.grandstream.com

UK Regulatory Information

Hereby, [[Grandstream Networks, Inc.](#)] declares that the equipment type [[GWN7812P](#)] is in compliance with UK SI 2016 No. 1091&2016 No. 1101.

The full text of the UK declaration of conformity is available at the following internet address: www.grandstream.com