

Grandstream Networks, Inc.

126 Brookline Ave, 3rd Floor
 Boston, MA 02215. USA
 Tel : +1 (617) 566 - 9300

www.grandstream.com



BE	BG	CZ	DK	DE	EE	IE	EL	LI
ES	FR	HR	IT	CY	LV	LT	LU	CH
HU	MT	NL	AT	PL	PT	RO	SI	TR
SK	FI	SE	NO	IS	UK	UK(NI)		

In the UK and EU member states, operation of 5150-5350 MHz is restricted to indoor use only.



For Certification, Warranty and RMA information,
 please visit www.grandstream.com



GWN7660ELR

Long-Range Enterprise Wi-Fi 6 Access Point

Quick Installation Guide

Content

English.....	1
--------------	---

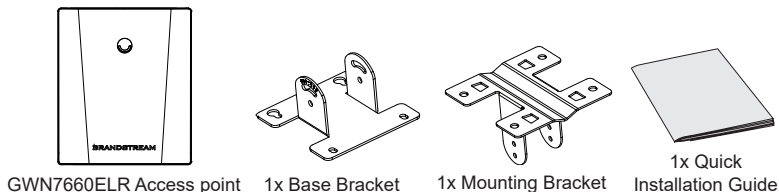
OVERVIEW

The GWN7660ELR is an enterprise-grade long-range Wi-Fi 6 access point that allows businesses to build next-generation Wi-Fi networks for high-density environments. It supports weatherproof casing and heat resistant technology, dual-band 2x2:2 MU-MIMO with XTRA Range technology and a sophisticated antenna design for maximum network throughput that supports 256 clients and an expanded 300-meter coverage range. It also provides IP67 weatherproof and dustproof ability, as well as -30 to 60°C operating temperature, this ensures that the Wi-Fi 6 access point can operate properly in difficult weather conditions. To ensure easy installation and management, the GWN7660ELR includes a built-in controller embedded within the product's web user interface. It is also supported by GWN.Cloud and GWN Manager, Grandstream's free cloud and on-premise Wi-Fi management platform. The GWN7660ELR is the ideal Wi-Fi AP for voiceover-Wi-Fi deployment and offers a seamless connection with Grandstream's Wi-Fi voice and video IP phones. With support for advanced QoS, low-latency real-time applications, mesh networks, captive portals, 256 concurrent clients per AP and dual Gigabit networks ports with PoE/PoE+, the GWN7660ELR is an ideal outdoor Wi-Fi access point for enterprises, multiple floor offices, warehouses, hospitals, schools, and more.

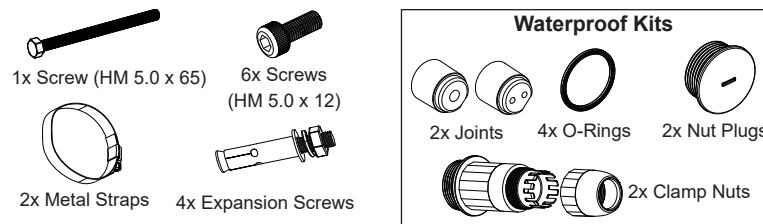
PRECAUTIONS

- Do not attempt to open, disassemble, or modify the device.
- Do not expose this device to temperatures outside range of -30 °C to 60 °C for operating and -30 °C to 70 °C for storage.
- Do not expose the GWN7660ELR to environments outside of the following humidity range: 5-95% RH (non-condensing).
- Do not power cycle your GWN7660ELR access point during system boot up or firmware upgrade. You may corrupt firmware images and cause the unit to malfunction.
- Please take lightning protection measures during installation (a lightning rod is required and the device must be reliably grounded). It is recommended to use a surge protection device.

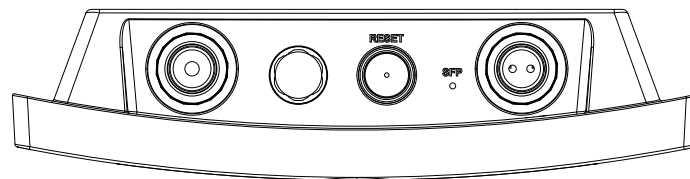
PACKAGE CONTENTS



~1~



GWN7660ELR PORTS



Port	Description
SFP Port	2.5G SFP Port (support 2.5Gbps aggregate wired throughput).
NET/POE 1G	Ethernet RJ45 port 1Gbps to your router or another GWN76xx, support PoE/PoE+.
RESET	Factory reset pinhole. Press for 7 seconds to reset factory default settings.

POWERING AND CONNECTING THE GWN7660ELR

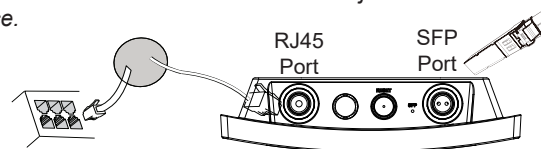
GWN7660ELR can be powered on using PoE/PoE+ switch or a PoE injector using the following steps:

Step 1: Plug a RJ45 Ethernet cable into the network port of the GWN7660ELR.

Step 2: Plug the other end into the uplink port of the PoE/PoE+ switch or PoE injector.

Note: if GWN7660ELR is connected using the SFP port, please connect the RJ45 Ethernet port to a PoE/PoE+ switch or a PoE injector without the uplink to power device.

RJ45 Ethernet Cable to (PoE/PoE+) Switch or PoE Injector.



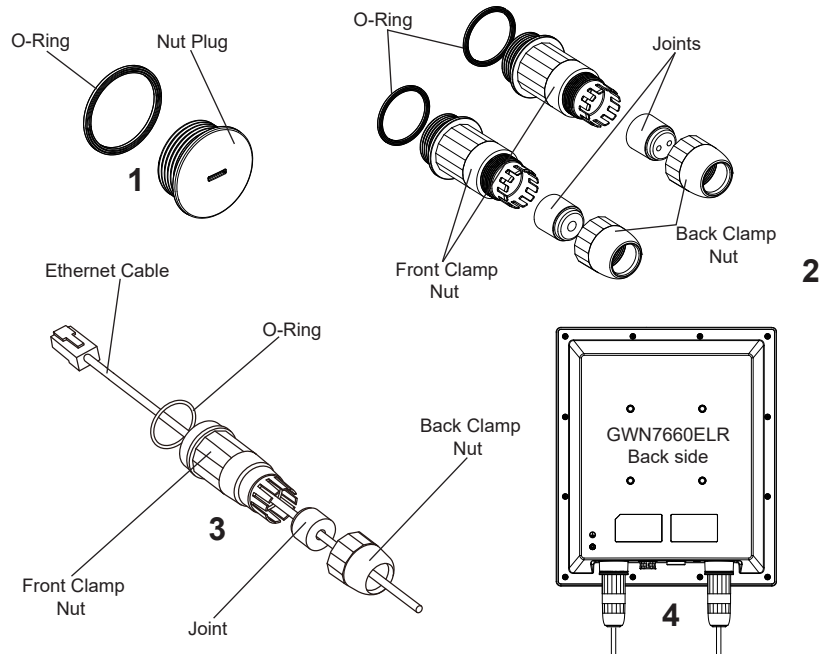
~2~

HARDWARE INSTALLATION

GWN7660ELR can be mounted on the wall or on a metal bar, Please refer to the following steps for the appropriate installation.

Waterproof Kits Installation

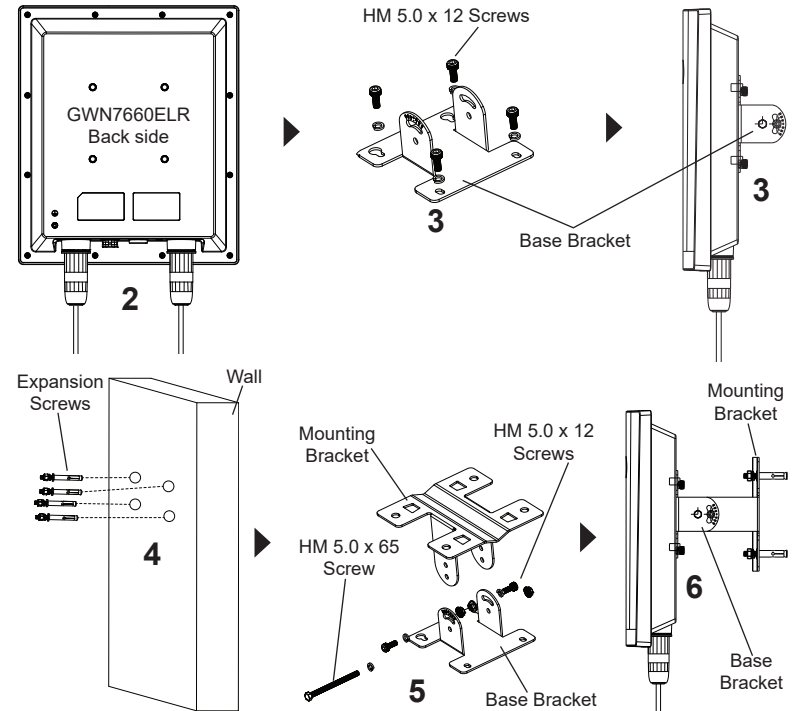
1. If the Ethernet (RJ45) or SFP port is not used, please use the O-ring and the nut plug to seal the port to ensure waterproofing, and to use the port remove it with a flat screwdriver.
2. Place the O-ring between the port and the front clamp nut, and place the Ethernet/Fiber joint between the front and the back of the clamp nut.
3. Insert the Ethernet/Fiber cable through the O-ring, front clamp nut, Ethernet/Fiber joint and the back clamp nut, if the RJ45/Fiber connector is attached, please remove it first then attach it back.
4. Connect the Ethernet (RJ45) or Fiber (SFP module) to the appropriate port, then screw the front clamp nut with the GWN7660ELR port and screw the back clamp nut with the front clamp nut.



~3~

Wall Mount

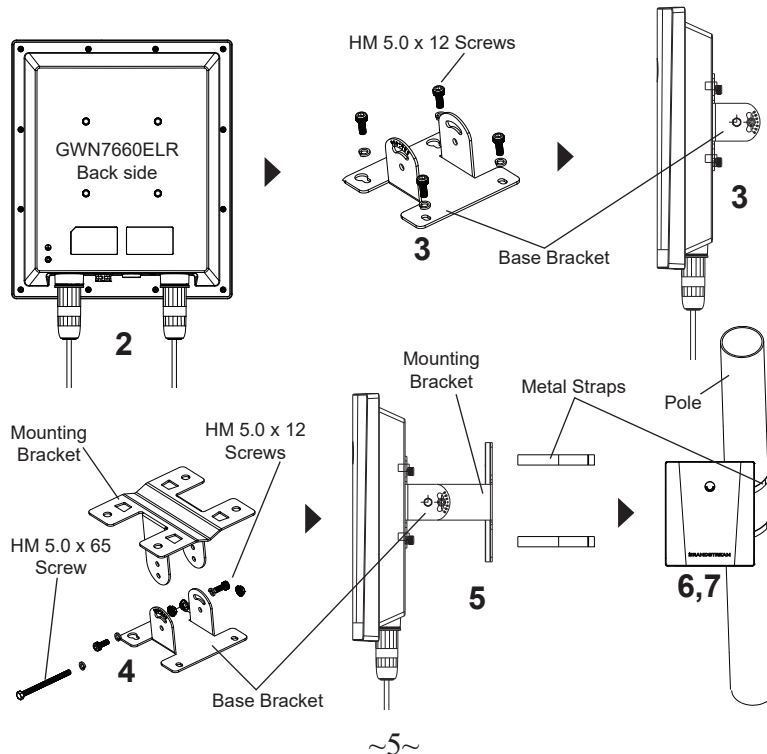
1. Please refer to the waterproof kits installation.
2. Connect the Ethernet (RJ45) or Fiber (SFP module) cable to the correct GWN7660ELR port and tighten the waterproof joints.
3. Attach the Base Bracket with screws (HM 5.0 x 12) on the back of GWN7660ELR access point.
4. Drill four holes on the wall based on the positions of the ones on the mounting bracket (use the mounting bracket as a drill template). Then, fix an expansion screw in each hole.
5. Assemble the base bracket and mounting bracket together with the screw (HM 5.0 x 65) and screws (HM 5.0 x 12).
6. Attach the GWN7660ELR access point by securing the mounting bracket with the expansion screws on the wall.



~4~

Pole Mount

1. Please refer to the waterproof kits installation.
2. Connect the Ethernet (RJ45) or Fiber (SFP module) to the correct GWN7660ELR port and tighten the waterproof joints.
3. Attach the Base Bracket with screws (HM 5.0 x 12) on the back of GWN7660ELR access point.
4. Assemble the Base Bracket and Mounting Bracket together with the screw (HM5.0 x 65) and screws (HM 5.0 x 12).
5. Open the metal straps by turning the locking mechanism counter-clockwise. You can loosen it by hand or use a flathead screwdriver.
6. Straighten out the end of the metal straps and slide it through the back of the base bracket.
7. Wrap the metal strap around the pole and use a flathead screwdriver to tighten the locking mechanism by turning it clockwise.



~5~

CONNECT TO GWN7660ELR DEFAULT Wi-Fi NETWORK

GWN7660ELR can be used as standalone access point out of box, or after factory reset with Wi-Fi enabled by default.

After powering the GWN7660ELR and connecting it to the network, GWN7660ELR will broadcast a default SSID based on its MAC address **GWN[MAC's last 6 digits]** and a random password.

Note: GWN7660ELR's default password information is printed on the sticker on the back of the unit.

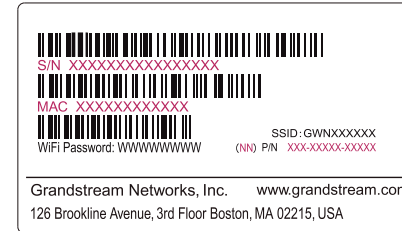
ACCESSING THE CONFIGURATION INTERFACE

A computer connected to the GWN7660ELR's SSID, or to the same network as the GWN7660ELR can discover and access its configuration interface using one of the below methods:

Method 1: Discover GWN7660ELR using its MAC Address

1. Locate the MAC address on the MAC tag of the unit, which is on the underside of the device, or on the package.
2. From a computer connected to same network as the GWN7660ELR, type in following address using GWN7660ELR's MAC address on your browser **https://gwn_<mac>.local**

Example: If a GWN7660ELR has the MAC address C0:74:AD:8C:4D:F8, this unit can be accessed by typing **https://gwn_c074ad8c4df8.local** on the browser.

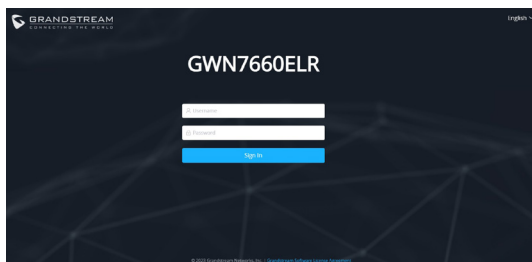


Method 2: Discover GWN7660ELR using GWN Discovery Tool

1. Download and install **GWN Discovery Tool** from the following link: <https://www.grandstream.com/tools/GWNDiscoveryTool.zip>
2. Open the GWN DiscoveryTool, and click on **Scan**.
3. The tool will discover all GWN76xx Access Points connected on the network showing their MAC and IP addresses.

~6~

4. Click on Manage Device to be redirected directly to the GWN7660ELR's configuration interface, or type in manually the displayed IP address on your browser.
5. Enter username and password to login. (The default administrator username is "admin" and the default random password can be found on the sticker on the GWN7660ELR).



Notes:

- Make sure that the GWN7660ELR is not already paired with another GWN76xx Access Point, GWN Router Series, GWN.Cloud or GWN Manager, otherwise the configuration interface cannot be accessed.
- If the GWN7660ELR is already paired, make sure to unpair it first, or do a factory reset.
- It is customer's responsibility to ensure compliance with local regulations for frequency bands, transmit power and others.
- To manage GWN7660ELR over cloud, please refer to <https://www.gwn.cloud>.

The GNU GPL license terms are incorporated into the device firmware and can be accessed via the Web user interface of the device at `my_device_ip/gpl_license`. It can also be accessed here:

<https://www.grandstream.com/legal/open-source-software>

To obtain a CD with GPL source code information please submit a written request to info@grandstream.com

Refer to online documents and FAQ for more detailed information:

<https://www.grandstream.com/our-products>

Certification Regulatory Information

Common part

This equipment complies with radiation exposure limits set forth for an uncontrolled environment. This transmitter must not be co-located or operating in conjunction with any other antenna or transmitter. This equipment should be installed and operated with minimum distance 20cm between the radiator& your body.

Après examen de ce matériel aux conformité ou aux limites d'intensité de champ RF, les utilisateurs peuvent sur l'exposition aux radiofréquences et la conformité and compliance d'acquérir les informations correspondantes. La distance minimale du corps à utiliser le dispositif est de 20cm.

U.S. FCC Part 15 Regulatory Information

This device complies with part 15 of the FCC Rules. Operation is subject to the following two conditions:(1) this device may not cause harmful interference, and(2) this device must accept any interference received, including interference that may cause undesired operation.

Any Changes or modifications not expressly approved by the party responsible for compliance could void the user's authority to operate the equipment.

Note: This equipment has been tested and found to comply with the limits for a Class B digital device, pursuant to part 15 of the FCC Rules. These limits are designed to provide reasonable protection against harmful

interference in a residential installation. This equipment generates, uses and can radiate radio frequency energy and, if not installed and used in accordance with the instructions, may cause harmful interference to radio communications. However, there is no guarantee that interference will not occur in a particular installation. If this equipment does cause harmful interference to radio or television reception, which can be determined by turning the equipment off and on, the user is encouraged to try to correct the interference by one or more of the following measures:

- Reorient or relocate the receiving antenna.
- Increase the separation between the equipment and receiver.
- Connect the equipment into an outlet on a circuit different from that to which the receiver is connected.
- Consult the dealer or an experienced radio/TV technician for help.

Canada Regulatory Information

Operation of 5150-5250 MHz is restricted to indoor use only.

This device contains licence-exempt transmitter(s)/receiver(s) that comply with Innovation, Science and Economic Development Canada's licence-exempt RSS(s). Operation is subject to the following two conditions:

- (1) This device may not cause interference.
- (2) This device must accept any interference, including interference that may cause undesired operation of the device.

L'émetteur/récepteur exempt de licence contenu dans le présent appareil est conforme aux CNR d'Innovation, Sciences et Développement

économique Canada applicables aux appareils radio exempts de licence.

L'exploitation est autorisée aux deux conditions suivantes :

- 1) L'appareil ne doit pas produire de brouillage;
- 2) L'appareil doit accepter tout brouillage radioélectrique subi, même si le brouillage est susceptible d'en compromettre le fonctionnement.

CAN ICES-003 (B)/NMB-003(B)

This product meets the applicable Innovation, Science and Economic Development Canada technical specifications.

Le présent produit est conforme aux spécifications techniques applicables d'Innovation, Sciences et Développement économique Canada.

EU Regulatory Information

In all EU member states, operation of 5150-5350 MHz is restricted to indoor use only.

Support Frequency Bands and Power:

WLAN 2412-2472 MHz < 20 dBm;

RLAN 5150-5250 MHz < 23 dBm;

RLAN 5250-5350 MHz < 23 dBm;

RLAN 5470-5725 MHz < 30 dBm;

The simplified EU declaration of conformity referred to in Article 10(9) shall be provided as follows:

Hereby, [Grandstream Networks, Inc.] declares that the radio equipment type [GWN7660ELR] is in compliance with Directive 2014/53/EU.

The full text of the EU declaration of conformity is available at the following internet address: www.grandstream.com

UK Regulatory Information

Operation of 5150-5350 MHz is restricted to indoor use only.

Support Frequency Bands and Power:

WLAN 2412-2472 MHz < 20 dBm;

RLAN 5150-5250 MHz < 23 dBm;

RLAN 5250-5350 MHz < 23 dBm;

RLAN 5470-5725 MHz < 30 dBm;

The simplified UK declaration of conformity referred to in Regulation 8&14 shall be provided as follows:

Hereby, [Grandstream Networks, Inc.] declares that the radio equipment type [GWN7660ELR] is in compliance with Directive RER2017(S.I.2017/1206).

The full text of the UK declaration of conformity is available at the following internet address: www.grandstream.com