

**Grandstream Networks, Inc.**

126 Brookline Ave, 3rd Floor  
Boston, MA 02215. USA  
Tel : +1 (617) 566 - 9300

[www.grandstream.com](http://www.grandstream.com)



BE	BG	CZ	DK	DE	EE	IE	EL	LI
ES	FR	HR	IT	CY	LV	LT	LU	CH
HU	MT	NL	AT	PL	PT	RO	SI	TR
SK	FI	SE	NO	IS	UK	UK(NI)		

In the UK and EU member states, operation of 5150-5350 MHz is restricted to indoor use only.



**GWN7660E**

802.11ax Wi-Fi 6 Access Point

For Certification, Warranty and RMA information,  
please visit [www.grandstream.com](http://www.grandstream.com)

**Quick Installation Guide**

# Content

---

English.....	1
--------------	---

## OVERVIEW

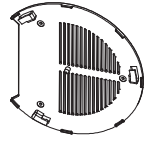
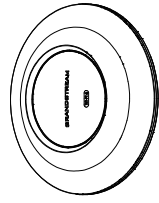
The GWN7660E is an enterprise-grade Wi-Fi 6 access point that allows businesses to build next-generation Wi-Fi networks for high-density environments. It offers 2x2:2 MU-MIMO technology on the 2.4G band and 3x3:2 MU-MIMO on the 5G band as well as a sophisticated antenna design and uses XTRA Range technology with beamforming for maximum network throughput and expanded Wi-Fi coverage range. To ensure easy installation and management, the GWN7660E uses a controller-less distributed network management design in which the controller is embedded within the product's Web user interface. The GWN7660E is also supported by GWN.Cloud and GWN Manager, Grandstream's cloud and on-premise Wi-Fi management platform. It is the ideal Wi-Fi AP for voice-over-Wi-Fi deployments and offers a seamless connection with Grandstream's Wi-Fi capable IP phones. With support for advanced QoS, low-latency real-time applications, mesh networks, captive portals, 256 concurrent clients per AP and Gigabit network ports with PoE/PoE+, GWN7660E is an ideal Wi-Fi access point for medium wireless network deployments with medium-to-high user density.

## PRECAUTIONS

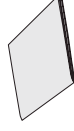
- Do not attempt to open, disassemble, or modify the device.
- Do not expose this device to temperatures outside range of -10 °C to 50 °C for operating and -10 °C to 60 °C for storage.
- Do not expose the GWN7660E to environments outside of the following humidity range: 10-90%RH (non-condensing).
- Do not power cycle your GWN7660E during system boot up or firmware upgrade. You may corrupt firmware images and cause the unit to malfunction.

## PACKAGE CONTENTS

- 1x GWN7660E Access Point
- 3x Screw (PM 3 x 50)
- 1x Mounting Bracket
- 1x Ceiling Mounting Bracket
- 3x Screw (PA 3.5 x 20)
- 3x Plastic Expansion Bolt

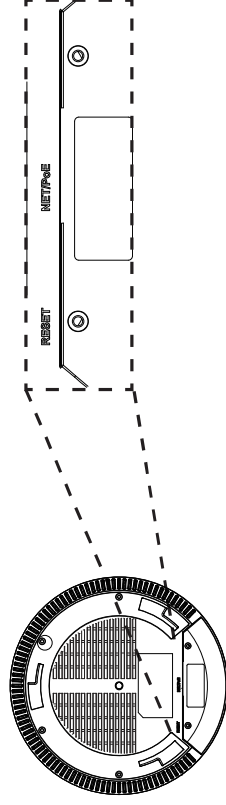


3x M3 NUT



1 x Quick Installation Guide

## GWN7660E PORTS

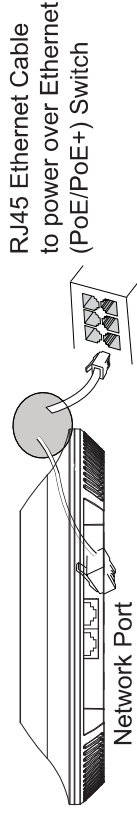


Port	Description
NET/POE	Ethernet RJ45 port (10Mbps /100Mbps /1Gbps) to your router or another GWN76xx, support PoE/PoE+.
RESET	Factory reset button. Press for 7 seconds to reset factory default settings.

## POWERING AND CONNECTING THE GWN7660E

GWN7660E can be powered on using PoE/PoE+ switch using following steps:

- Step 1:** Plug a RJ45 Ethernet cable into the network port of GWN7660E.
- Step 2:** Plug the other end into the uplink port of the power over Ethernet (PoE/PoE+) switch.

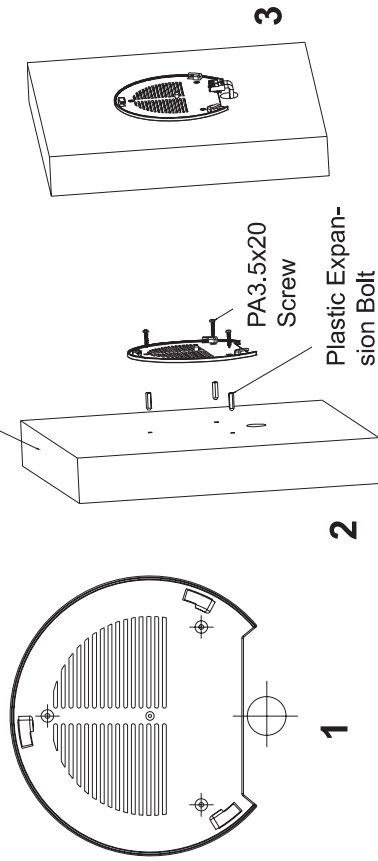


## HARDWARE INSTALLATION

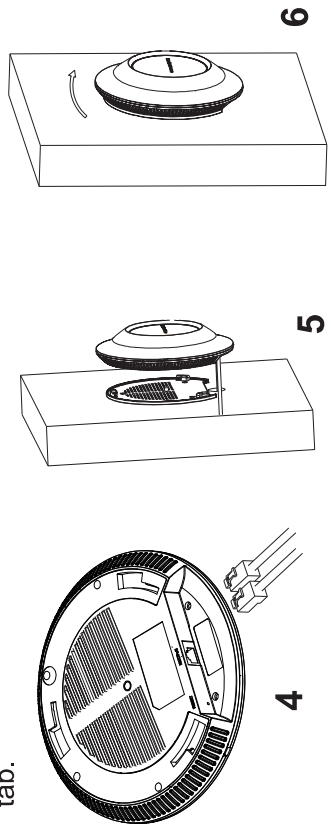
GWN7660E can be mounted on the wall or ceiling. Please refer to the following steps for the appropriate installation.

## Wall Mount

1. Connect the Ethernet cable (RJ45) to the correct ports of your GWN7660E.
2. Align the arrow on the GWN7662 AP with the arrow on the locking tab of the mounting bracket and ensure that your GWN is firmly seated on the mounting bracket.
3. Turn the GWN clockwise until it locks into place and fits the locking tab.



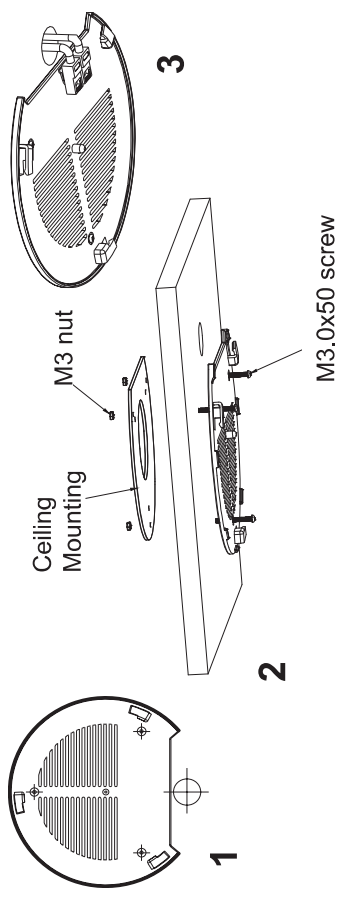
4. Connect the power cable and the ethernet cable (RJ45) to the correct ports of your GWN7660E.
5. Align the arrow on the GWN7660E AP with the arrow on the locking tab of the mounting bracket and ensure that your GWN is firmly seated on the mounting bracket.
6. Turn the GWN clockwise until it locks into place and fits the locking tab.



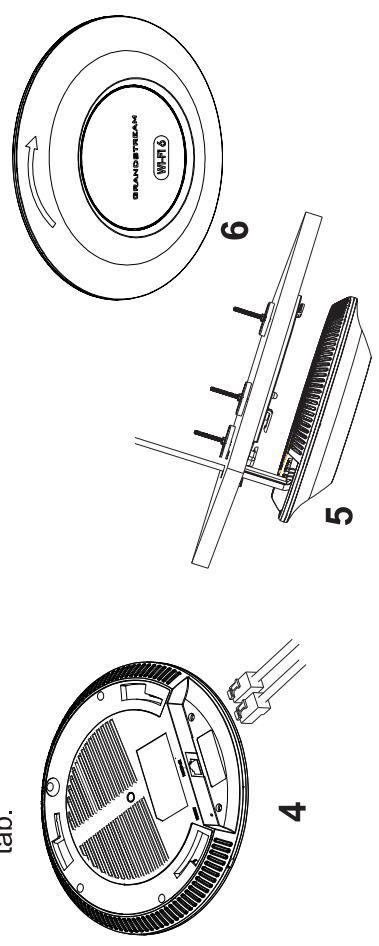
## Ceiling Mount

**Note:** Ceiling mounting is recommended for optimal coverage performance.

1. Remove the ceiling tile.
2. Place the ceiling backing plate in the center of the ceiling tile and mark the mounting screw holes (screw holes DIA 5.5mm, reticle hole DIA 25mm).
3. Insert the screws through the mounting bracket.



4. Connect the Ethernet cable (RJ45) to the correct ports of your GWN7660E.
5. Align the arrow on the GWN7660E with the arrow on the locking tab of the mounting bracket and ensure that your GWN is firmly seated on the mounting bracket and connect the network and power cables.
6. Turn the GWN clockwise until it locks into place and fits the locking tab.



## CONNECT TO GWN7660E DEFAULT WI-FI NETWORK

GWN7660E can be used as standalone access point out of box, or after factory reset with Wi-Fi enabled by default.

After powering the GWN7660E, and connecting it to the network, GWN7660E. will broadcast a default SSID based on its MAC address **GWN[MAC's last 6 digits]** and a random password.

**Note:** GWN7660E's default SSID and password information are printed on the MAC tag of the unit.



## ACCESSING THE CONFIGURATION INTERFACE

A computer connected to the GWN7660E's SSID, or to the same network as the GWN7660E can discover and access its configuration interface using one of the below methods:

### Method 1: Discover GWN7660E using its MAC Address

1. Locate the MAC address on the MAC tag of the unit, which is on the underside of the device, or on the package.
2. From a computer connected to same network as the GWN7660E., type in following address using GWN7660E's MAC address on your browser **https://gwn\_<mac>.local**

Example: If a GWN7660E. has the MAC address 00:0B:82:8C:4D:F8, this unit can be accessed by typing **https://gwn\_000b828c4df8.local** on the browser.

### Method 2: Discover GWN7660E using GWN Discovery Tool

1. Download and install **GWN Discovery Tool** from the following link: <https://www.grandstream.com/tools/GWNDiscoveryTool.zip>

2. Open the GWN DiscoveryTool, and click on **Scan**.
3. The tool will discover all GWN76XX Access Points connected on the network showing their MAC and IP addresses.
4. Click on **Manage Device** to be redirected directly to the GWN7660E. s configuration interface, or type in manually the displayed IP address on your browser.

Enter username and password to login. (The default administrator user-name is "admin" and the default random password can be found at the sticker on the GWN7660E).



### Notes:

- Make sure that the GWN7660E is not already paired with another GWN76xx Access Point as slave, GWN Router Series or GWN.Cloud, otherwise the configuration interface cannot be accessed
- If the GWN7660E is already paired, make sure to unpair it first, or do a factory reset.
- It is customer's responsibility to ensure compliance with local regulations for frequency bands, transmit power and others.
- To manage GWN7660E over cloud, please refer to <https://www.gwn.cloud>.

The GNU GPL license terms are incorporated into the device firmware and can be accessed via the Web user interface of the device at `my_device_ip/gpl_license`. It can also be accessed here:

<https://www.grandstream.com/legal/open-source-software>  
To obtain a CD with GPL source code information please submit a written request to [info@grandstream.com](mailto:info@grandstream.com)

Refer to online documents and FAQ for more detailed information: <https://www.grandstream.com/our-products>

**Common part :**

This equipment complies with radiation exposure limits set forth for an uncontrolled environment. This transmitter must not be co-located or operating in conjunction with any other antenna or transmitter. This equipment should be installed and operated with minimum distance 20cm between the radiator & your body.

Après examen de ce matériel aux conformités ou aux limites d'intensité de champ RF, les utilisateurs peuvent sur l'exposition aux radiofréquences et la conformité et compliance d'acquiescer les informations correspondantes. La distance minimale du corps à utiliser le dispositif est de 20cm.

The earpiece is easy to absorb small object, please take care to avoid scratching.

**U.S. FCC Part 15 Regulatory Information**

This device complies with part 15 of the FCC Rules. Operation is subject to the following two conditions: (1) this device may not cause harmful interference, and (2) this device must accept any interference received, including interference that may cause undesired operation.

Any Changes or modifications not expressly approved by the party responsible for compliance could void the user's authority to operate the equipment.

Note: This equipment has been tested and found to comply with the limits for a Class B digital device, pursuant to part 15 of the FCC Rules. These limits are designed to provide reasonable protection against harmful interference in a residential installation. This equipment generates uses and can radiate radio frequency energy and, if not installed and used in accordance with the instructions, may cause harmful interference to radio communications. However, there is no guarantee that

interference will not occur in a particular installation. If this equipment does cause harmful interference to radio or television reception, which can be determined by turning the equipment off and on, the user is encouraged to try to correct the interference by one or more of the following measures:

- Reorient or relocate the receiving antenna.
- Increase the separation between the equipment and receiver.
- Connect the equipment into an outlet on a circuit different from that to which the receiver is connected.
- Consult the dealer or an experienced radio/TV technician for help.

**Canada Regulatory Information**

Radio equipment

Operation of 5150-5250 MHz is restricted to indoor use only.

This device contains licence-exempt transmitter(s)/receiver(s) that comply with Innovation, Science and Economic Development Canada's licence-exempt RSS(s). Operation is subject to the following two conditions:

- (1) This device may not cause interference.
- (2) This device must accept any interference, including interference that may cause undesired operation of the device.

L'émetteur/récepteur exempt de licence contenu dans le présent appareil est conforme aux CNR d'Innovation, Sciences et Développement économique Canada applicables aux appareils radio exempts de licence. L'exploitation est autorisée aux deux conditions suivantes :

- 1) L'appareil ne doit pas produire de brouillage;

2) L'appareil doit accepter tout brouillage radioélectrique subi, même si le brouillage est susceptible d'en compromettre le fonctionnement.

#### CAN ICES-003 (B)/NMB-003(B)

This product meets the applicable Innovation, Science and Economic Development Canada technical specifications.

Le présent produit est conforme aux spécifications techniques applicables d'Innovation, Sciences et Développement économique Canada.

#### EU Regulatory Information

In all EU member states, operation of 5150-5350 MHz is restricted to indoor use only.

Support Frequency Bands and Power:

WLAN 2412-2472 MHz < 20 dBm;

WLAN 5150-5250 MHz < 23 dBm;

WLAN 5250-5350 MHz < 20 dBm;

WLAN 5470-5725 MHz < 27 dBm.

The simplified EU declaration of conformity referred to in Article 10(9) shall be provided as follows:

Hereby, [Grandstream Networks, Inc.] declares that the radio equipment type [GWN7660E] is in compliance with Directive 2014/53/EU.

The full text of the EU declaration of conformity is available at the following internet address: [www.grandstream.com](http://www.grandstream.com)

#### UK Regulatory Information

Operation of 5150-5350 MHz is restricted to indoor use only.

Support Frequency Bands and Power:

WLAN 2412-2472 MHz < 20 dBm;

WLAN 5150-5250 MHz < 23 dBm;

WLAN 5250-5350 MHz < 20 dBm;

WLAN 5470-5725 MHz < 27 dBm.

The simplified UK declaration of conformity referred to in Regulation 8&14 shall be provided as follows:

Hereby, [Grandstream Networks, Inc.] declares that the radio equipment type [GWN7660E] is in compliance with RER2017(S.I.2017/1206).

The full text of the UK declaration of conformity is available at the following internet address: [www.grandstream.com](http://www.grandstream.com)