

Grandstream Networks, Inc.

126 Brookline Ave, 3rd Floor
Boston, MA 02215. USA
Tel : +1 (617) 566 - 9300
Fax: +1 (617) 249 - 1987

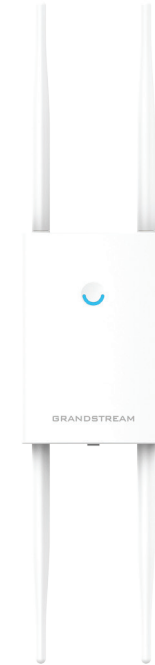
www.grandstream.com



AT	BE	CY	CZ	DK	EE	FI
FR	DE	EL	HU	IE	IT	LV
LT	LU	MT	NL	PL	PT	SK
SI	ES	SE	UK	BG	RO	HR

In all EU member states, operation of 5150
- 5350 MHz is restricted to indoor use only.

For Certification, Warranty and RMA information, please visit
www.grandstream.com



GWN7630LR

Outdoor Long-Range High-Performance

802.11ac Wi-Fi Access Point

Quick Installation Guide

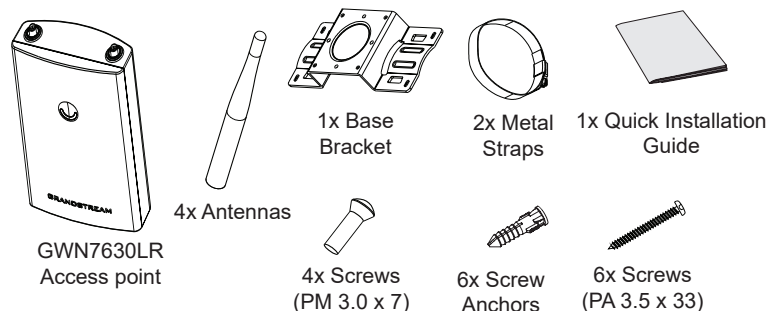
OVERVIEW

This long range Wi-Fi access point is designed to provide extended coverage support and is ideal for outdoor Wi-Fi solutions thanks to its waterproof casing and heat resistant technology. The GWN7630LR comes equipped with dual-band 4x4:4 MU-MIMO technology and a sophisticated antenna design for maximum network throughput and extended Wi-Fi coverage range of up to 300 meters. To ensure easy installation and management, the GWN7630LR uses a controller-less distributed network management design in which the controller is embedded within the product's web user interface. The GWN7630LR is also supported by GWN.Cloud, Grandstream's free cloud Wi-Fi management platform. It is the ideal Wi-Fi AP for voice-over-Wi-Fi deployments and offers a seamless connection with Grandstream's Wi-Fi-capable IP phones. With support for advanced QoS, low-latency real-time applications, mesh networks, captive portals, 200+ concurrent clients per AP and dual Gigabit network ports with PoE/PoE+, the GWN7630LR is an ideal Wi-Fi access point for medium wireless network deployments with medium-to-high user density.

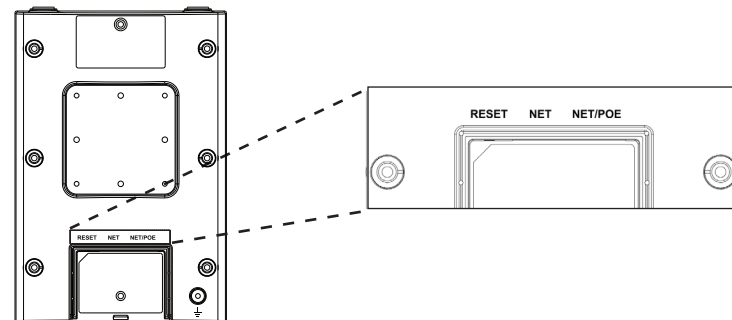
PRECAUTIONS

- Do not attempt to open, disassemble, or modify the device.
- Do not expose this device to temperatures outside range of -30 °C to 60 °C for operating and -30 °C to 70 °C for storage.
- Do not expose the GWN7630LR to environments outside of the following humidity range: 5-95% RH (non-condensing).
- Do not power cycle your GWN7630LR access point during system boot up or firmware upgrade. You may corrupt firmware images and cause the unit to malfunction.

PACKAGE CONTENTS



GWN7630LR PORTS



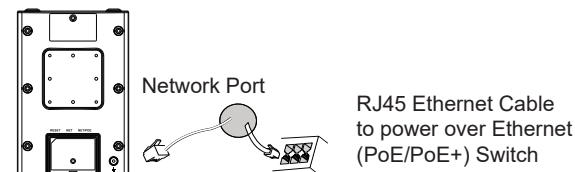
Port	Description
NET/POE	Ethernet RJ45 port (10/100/1000Mbps) supporting PoE/PoE+.
NET	Ethernet RJ45 port (10/100/1000Mbps) to your router or another GWN76xx.
RESET	Factory reset button. Press for 7 seconds to reset factory default settings.

POWERING AND CONNECTING THE GWN7630LR

GWN7630LR can be powered on using PoE/PoE+ switch using following steps:

Step 1: Plug a RJ45 Ethernet cable into the network port of GWN7630LR.

Step 2: Plug the other end into the uplink port of the power over Ethernet (PoE/PoE+) switch.

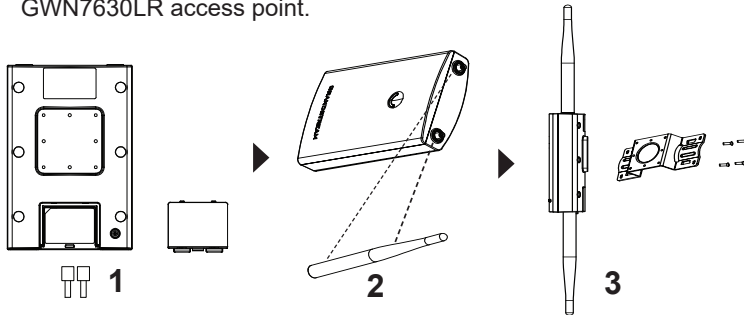


HARDWARE INSTALLATION

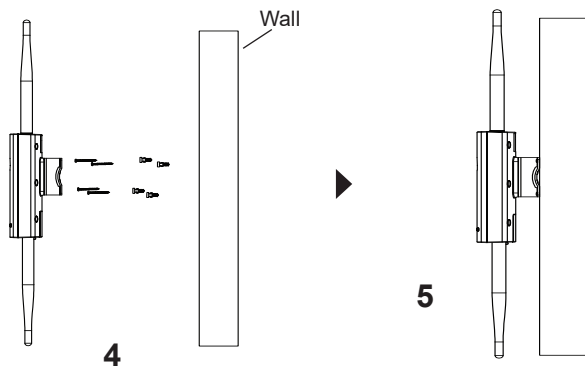
GWN7630LR can be mounted on the wall or on a metal bar, Please refer to the following steps for the appropriate installation.

Wall Mount

1. Connect the Ethernet cable (RJ45) to the correct ports of your GWN7630LR and insert the cover bracket.
2. Connect each antenna to an antenna connector by rotating it clockwise.
3. Attach the Base Bracket with screws (PM 3.0 x 7) on the back of GWN7630LR access point.



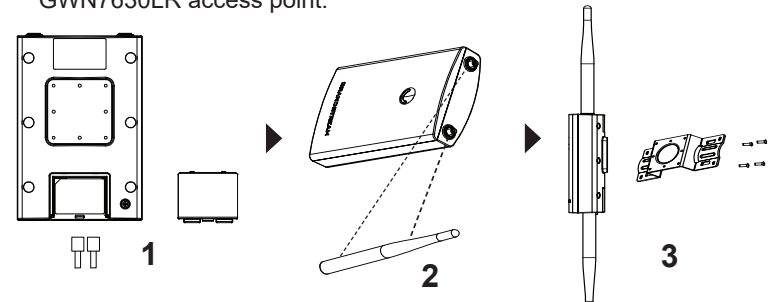
4. Insert screws (PA 3.5x33) through the Base Bracket and mark the mounting screw holes on the wall using a pencil.
5. Drill the holes in the spots that you have marked and slide the anchors into the wall. Secure the GWN7630LR access point to the wall by inserting the screws into the anchors.



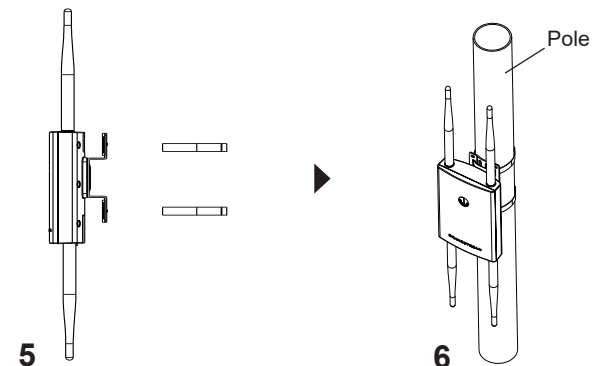
~3~

Pole Mount

1. Connect the Ethernet cable (RJ45) to the correct ports of your GWN7630LR and insert the cover bracket.
2. Connect each antenna to an antenna connector by rotating it clockwise.
3. Attach the Base Bracket with screws (PM 3.0 x 7) on the back of GWN7630LR access point.



4. Open the metal straps by turning the locking mechanism counter-clockwise. You can loosen it by hand or use a flathead screwdriver.
5. Straighten out the end of the metal straps and slide it through the back of the base bracket.
6. Wrap the metal strap around the pole and use a flathead screwdriver to tighten the locking mechanism by turning it clockwise.



~4~

CONNECT TO GWN7630LR DEFAULT Wi-Fi NETWORK

GWN7630LR can be used as standalone access point out of box, or after factory reset with Wi-Fi enabled by default.

After powering the GWN7630LR and connecting it to the network, GWN7630LR will broadcast a default SSID based on its MAC address **GWN[MAC's last 6 digits]** and a random password.

Note: GWN7630LR's default SSID and password information are printed on the sticker at the back of the unit.

ACCESSING THE CONFIGURATION INTERFACE

A computer connected to the GWN7630LR's SSID, or to the same network as the GWN7630LR can discover and access its configuration interface using one of the below methods:

Method 1: Discover GWN7630LR using its MAC Address

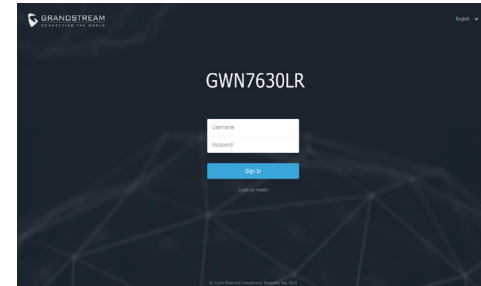
1. Locate the MAC address on the MAC tag of the unit, which is on the underside of the device, or on the package.
2. From a computer connected to same network as the GWN7630LR, type in following address using GWN7630LR's MAC address on your browser **https://gwn_<mac>.local**

Example: If a GWN7630LR has the MAC address 00:0B:82:8C:4D:F8, this unit can be accessed by typing **https://gwn_000b828c4df8.local** on the browser.

Method 2: Discover GWN7630LR using GWN Discovery Tool

1. Download and install **GWN Discovery Tool** from the following link: <http://www.grandstream.com/tools/GWNDISCOVERYTool.zip>
2. Open the GWN DiscoveryTool, and click on **Scan**.
3. The tool will discover all GWN76xx Access Points connected on the network showing their MAC and IP addresses.

4. Click on **Manage Device** to be redirected directly to the GWN7630LR's configuration interface, or type in manually the displayed IP address on your browser.
5. Enter username and password to login. (The default administrator username is "admin" and the default random password can be found at the back sticker on the GWN7630LR).



Notes:

- Make sure that the GWN7630LR is not already paired with another GWN76xx Access Point as slave, GWN7000 Router Series or GWN. Cloud, otherwise the configuration interface cannot be accessed
- If the GWN7630LR is already paired, make sure to unpair it first, or do a factory reset.
- It is customer's responsibility to ensure compliance with local regulations for frequency bands, transmit power and others.
- To manage GWN7630LR over cloud, please refer to <https://www.gwn.cloud>.

The GNU GPL license terms are incorporated into the device firmware and can be accessed via the Web user interface of the device at my_device_ip/gpl_license. It can also be accessed here:

<http://www.grandstream.com/legal/open-source-software>

To obtain a CD with GPL source code information please submit a written request to info@grandstream.com

Refer to online documents and FAQ for more detailed information:

<http://www.grandstream.com/our-products>

For certification information, please refer to User Manuals:

<http://www.grandstream.com>

Common part:

The device is compliance with RF exposure guidelines, users can obtain Canadian information on RF exposure and compliance. The minimum distance from body to use the device is 20cm.

Après examen de ce matériel aux conformité ou aux limites d'intensité de champ RF, les utilisateurs peuvent sur l'exposition aux radiofréquences et la conformité and compliance d'acquérir les informations correspondantes. La distance minimale du corps à utiliser le dispositif est de 20cm.

U.S. FCC Part 15 Regulatory Information

This device complies with part 15 of the FCC Rules. Operation is subject to the following two conditions:(1) this device may not cause harmful interference, and (2) this device must accept any interference received, including interference that may cause undesired operation.

Any Changes or modifications not expressly approved by the party responsible for compliance could void the user's authority to operate the equipment.

Note: This equipment has been tested and found to comply with the limits for a Class B digital device, pursuant to part 15 of the FCC Rules. These limits are designed to provide reasonable protection against harmful interference in a residential installation. This equipment generates, uses and can radiate radio frequency energy and, if not installed and used in accordance with the instructions, may cause harmful interference to radio communications. However, there is no guarantee that interference will not occur in a particular installation. If this equipment does cause harmful interference to radio or television reception, which can be determined by turning the equipment off and on, the user is encouraged to try to correct the interference by one or more of the following measures:

- Reorient or relocate the receiving antenna.
- Increase the separation between the equipment and receiver.
- Connect the equipment into an outlet on a circuit different from that to which the receiver is connected.
- Consult the dealer or an experienced radio/TV technician for help.

Canada Regulatory Information

Radio equipment

Operation of 5150-5250 MHz is restricted to indoor use only.

This device contains licence-exempt transmitter(s)/receiver(s) that comply with Innovation, Science and Economic Development Canada's licence-exempt RSS(s). Operation is subject to the following two conditions:

- (1) This device may not cause interference.
- (2) This device must accept any interference, including interference that may cause undesired operation of the device.

L'émetteur/récepteur exempt de licence contenu dans le présent appareil est conforme aux CNR d'Innovation, Sciences et Développement économique Canada applicables aux appareils radio exempts de licence. L'exploitation est autorisée aux deux conditions suivantes :

- 1) L'appareil ne doit pas produire de brouillage;
- 2) L'appareil doit accepter tout brouillage radioélectrique subi, même si le brouillage est susceptible d'en compromettre le fonctionnement.

CAN ICES-3 (B)/NMB-3(B)