

## Grandstream Networks, Inc.

126 Brookline Ave, 3rd Floor  
Boston, MA 02215. USA  
Tel : +1 (617) 566 - 9300  
Fax: +1 (617) 249 - 1987

[www.grandstream.com](http://www.grandstream.com)



|    |    |    |    |    |    |    |
|----|----|----|----|----|----|----|
| AT | BE | CY | CZ | DK | EE | FI |
| FR | DE | EL | HU | IE | IT | LV |
| LT | LU | MT | NL | PL | PT | SK |
| SI | ES | SE | UK | BG | RO | HR |

In all EU member states, operation of 5150  
- 5350 MHz is restricted to indoor use only.

For Warranty and RMA information, please visit [www.grandstream.com](http://www.grandstream.com)



## GWN7630

Enterprise 802.11ac Wave-2 4x4:4  
Wi-Fi Access Point

## Quick Installation Guide

## OVERVIEW

The GWN7630 is a high-performance 802.11ac wireless access point for small to medium sized businesses, multiple floor offices, commercial locations and branch offices. It offers dual-band 4x4:4 MU-MIMO technology (beamforming is not supported) and a sophisticated antenna design for maximum network throughput and expanded Wi-Fi coverage range. To ensure easy installation and management, GWN7630 uses a controllerless distributed network management design where the controller is embedded within the product's web user interface. For the sake of large-scale deployment, GWN7630 supports to be managed by GWN Cloud system. With support for fast roaming, advanced QoS, low-latency real-time applications, 200+ client devices per AP and dual Gigabit network ports with PoE/PoE+, combining with the features of Mesh, Captive Portal and seamless connection with Grandstream WP8XX series Wi-Fi phone, the GWN7630 is an ideal wireless access point for large and small wireless network deployments.

## PRECAUTIONS

- Do not attempt to open, disassemble, or modify the device.
- Do not expose this device to temperatures outside range of -10 °C to 60 °C for storage and 0 °C to 40 °C for operating.
- Do not expose the device to environments outside of the following humidity range: 10-90% RH (non-condensing).
- Do not use the device in outdoor environment.
- Do not power cycle your device during system boot up or firmware upgrade. You may corrupt firmware images and cause the unit to malfunction.

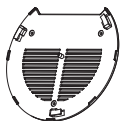
## PACKAGE CONTENTS



1x GWN7630  
Access Point



3x Screw  
(PM 3 x 50)



1x Mounting  
Bracket



3x Screw  
(PA 3.5 x 20)



1x Ceiling  
Mounting Bracket

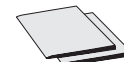


3x Plastic Expansion  
Bolt

~1~



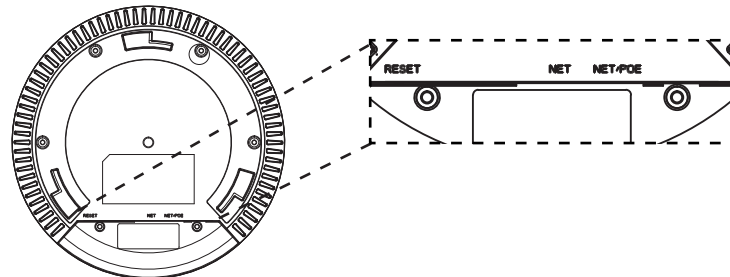
3x M3 NUT



1 x Quick Installation Guide

1 x GPL Statement

## GWN7630 PORTS



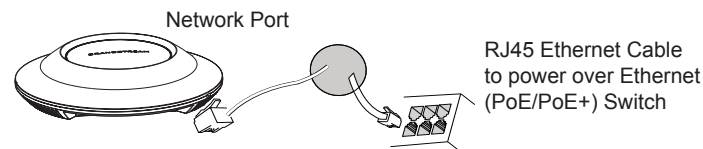
| Port    | Description   |
|---------|---|
| NET/POE | Ethernet RJ45 port (10/100/1000Mbps) supporting PoE/PoE+.                       |
| NET     | Ethernet RJ45 port (10/100/1000Mbps) to your router or another GWN76xx.         |
| RESET   | Factory reset button.<br>Press for 7 seconds to reset factory default settings. |

## POWERING AND CONNECTING THE GWN7630

GWN7630 can be powered on using PoE/PoE+ switch using following steps:

**Step 1:** Plug a RJ45 Ethernet cable into the network port of GWN7630.

**Step 2:** Plug the other end into the uplink port of the power over Ethernet (PoE/PoE+) switch.



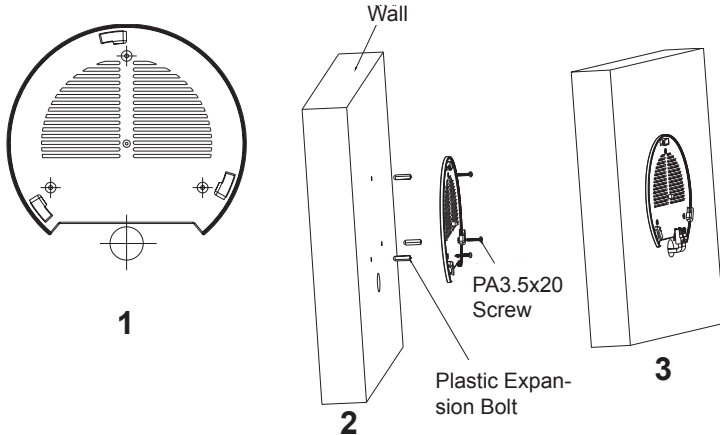
~2~

## HARDWARE INSTALLATION

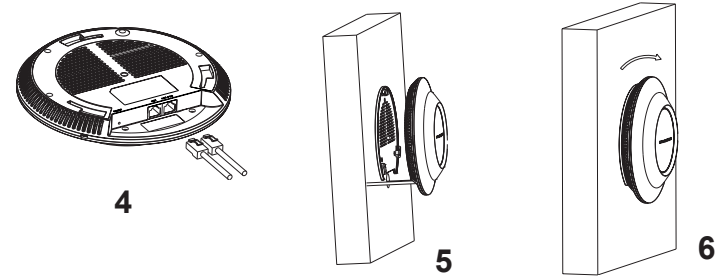
GWN7630 can be mounted on the wall or ceiling, Please refer to the following steps for the appropriate installation.

### Wall Mount

1. Connect the Ethernet cable (RJ45) to the correct ports of your GWN7630.
2. Align the arrow on the GWN7630AP with the arrow on the locking tab of the mounting bracket and ensure that your GWN is firmly seated on the mounting bracket.
3. Turn the GWN clockwise until it locks into place and fits the locking tab.



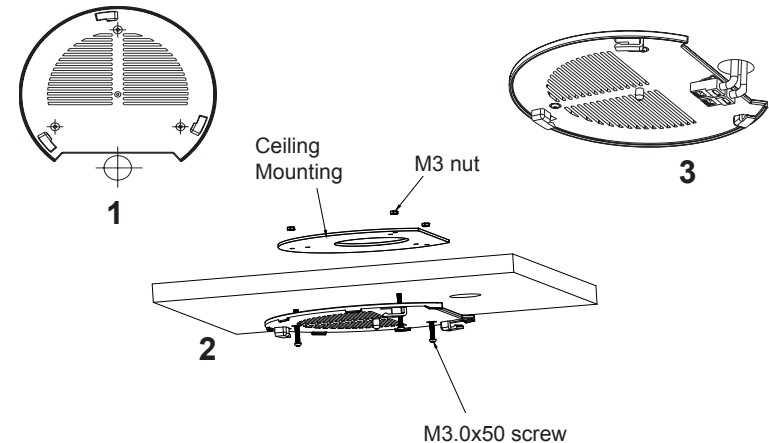
4. Connect the power cable and the ethernet cable (RJ45) to the correct ports of your GWN7630.
5. Align the arrow on the GWN7630AP with the arrow on the locking tab of the mounting bracket and ensure that your GWN is firmly seated on the mounting bracket.
6. Turn the GWN clockwise until it locks into place and fits the locking tab.



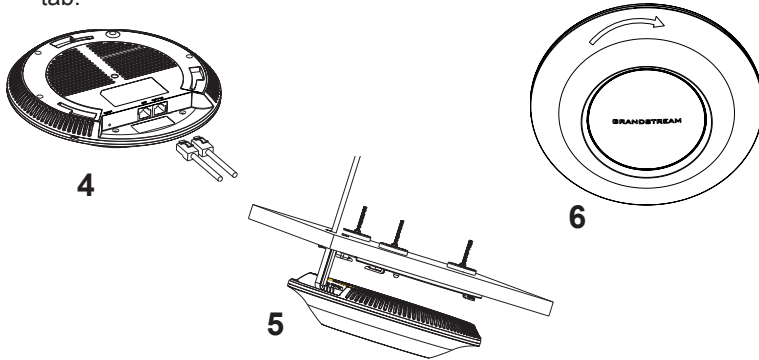
### Ceiling Mount

**Note:** Ceiling mounting is recommended for optimal coverage performance.

1. Remove the ceiling tile.
2. Place the ceiling backing plate in the center of the ceiling tile and mark the mounting screw holes (screw holes DIA 5.5mm, reticle hole DIA 25mm).
3. Insert the screws through the mounting bracket.



4. Connect the Ethernet cable (RJ45) to the correct ports of your GWN7630.
5. Align the arrow on the GWN7630AP with the arrow on the locking tab of the mounting bracket and ensure that your GWN is firmly seated on the mounting bracket and connect the network and power cables.
6. Turn the GWN clockwise until it locks into place and fits the locking tab.

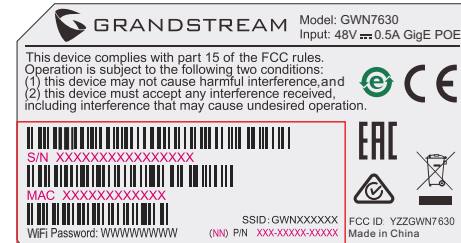


## CONNECT TO GWN7630 DEFAULT Wi-Fi NETWORK

GWN7630 can be used as standalone access point out of box, or after factory reset with Wi-Fi enabled by default.

After powering the GWN7630 and connecting it to the network, GWN7630 will broadcast a default SSID based on its MAC address **GWN[MAC's last 6 digits]** and a random password.

**Note:** GWN7630's default SSID and password information are printed on the MAC tag of the unit.



## ACCESSING THE CONFIGURATION INTERFACE

A computer connected to the GWN7630's SSID, or to the same network as the GWN7630 can discover and access its configuration interface using one of the below methods:

### Method 1: Discover GWN7630 using its MAC Address

1. Locate the MAC address on the MAC tag of the unit, which is on the underside of the device, or on the package.
2. From a computer connected to same network as the GWN7630, type in following address using GWN7630's MAC address on your browser **https://gwn\_<mac>.local**

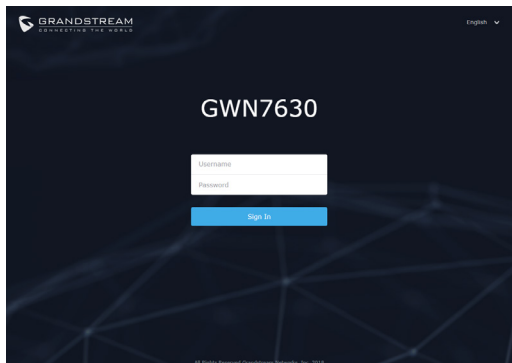
Example: If a GWN7630 has the MAC address 00:0B:82:8C:4D:F8, this unit can be accessed by typing **https://gwn\_000b828c4df8.local** on the browser.

### Method 2: Discover GWN7630 using GWN Discovery Tool

1. Download and install **GWN Discovery Tool** from the following link: <http://www.grandstream.com/tools/GWNDiscoveryTool.zip>
2. Open the GWN DiscoveryTool, and click on **Scan**.

3. The tool will discover all GWN76XX Access Points connected on the network showing their MAC and IP addresses.
4. Click on **Manage Device** to be redirected directly to the GWN7630's configuration interface, or type in manually the displayed IP address on your browser.

Enter username and password to login. (The default administrator username is "admin" and the default random password can be found at the sticker on the GWN7630).



#### Notes:

- Make sure that the GWN7630 is not already paired with another GWN76xx Access Point as slave, GWN7000 Router Series or GWN Cloud, otherwise the configuration interface cannot be accessed
- If the GWN7630 is already paired, make sure to unpair it first, or do a factory reset.
- It is customer's responsibility to ensure compliance with local regulations for frequency bands, transmit power and others.
- To manage GWN7630 over cloud, please refer to <https://www.gwn.cloud>.

Refer to online documents and FAQ for more detailed information:

<http://www.grandstream.com/our-products>

#### FCC Caution:

Any Changes or modifications not expressly approved by the party responsible for compliance could void the user's authority to operate the equipment.

This device complies with part 15 of the FCC Rules. Operation is subject to the following two conditions: (1) This device may not cause harmful interference, and (2) this device must accept any interference received, including interference that may cause undesired operation.

Note: This equipment has been tested and found to comply with the limits for a Class B digital device, pursuant to part 15 of the FCC Rules. These limits are designed to provide reasonable protection against harmful interference in a residential installation. This equipment generates, uses and can radiate radio frequency energy and, if not installed and used in accordance with the instructions, may cause harmful interference to radio communications. However, there is no guarantee that interference will not occur in a particular installation. If this equipment does cause harmful interference to radio or television reception, which can be determined by turning the equipment off and on, the user is encouraged to try to correct the interference by one or more of the following measures:

- Reorient or relocate the receiving antenna.
- Increase the separation between the equipment and receiver.
- Connect the equipment into an outlet on a circuit different from that to which the receiver is connected.
- Consult the dealer or an experienced radio/TV technician for help.

This equipment complies with FCC radiation exposure limits set forth for an uncontrolled environment. This equipment should be installed and operated with minimum distance 20cm between the radiator & your body.

This transmitter must not be co-located or operating in conjunction with any other antenna or transmitter.