

Grandstream Networks, Inc.

126 Brookline Ave, 3rd Floor
 Boston, MA 02215. USA
 Tel : +1 (617) 566 - 9300
 Fax: +1 (617) 249 - 1987

www.grandstream.com



For Warranty and RMA information, please visit www.grandstream.com



AT	BE	CY	CZ	DK	EE	FI
FR	DE	EL	HU	IE	IT	LV
LT	LU	MT	NL	PL	PT	SK
SI	ES	SE	UK	BG	RO	HR

In all EU member states, operation of 5150 -5350 MHz is restricted to indoor use only.

GWN7600LR
 Enterprise 802.11ac Wave-2 Outdoor
 Long Range WiFi Access Point
Quick Installation Guide

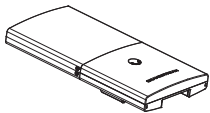
OVERVIEW

This WiFi long range access point is designed to provide extended coverage support. Ideal for outdoor WiFi solutions thanks to its waterproof casing and heat resistant technology. The GWN7600LR comes equipped with dual-band 2x2:2 MU-MIMO with beam-forming technology and a sophisticated antenna design for maximum network throughput and extended WiFi coverage range of up to 300 meters. To ensure easy installation and management, the GWN7600LR uses a controller-less distributed network management design and an embeded controller within the product's web user interface. This allows each access point to manage a network of up to 30 GWN76xx series APs independently without needing separate controller hardware/software and without a single point-of-failure. Its easy installation and management features packed with extra coverage support and advanced performance features make the GWN7600LR an ideal enterprise AP for mid-size wireless network deployments.

PRECAUTIONS

- Do not attempt to open, disassemble, or modify the device.
- Do not expose this device to temperatures out the range of -30 °C to 60 °C for operating and -30°C to 70°C for storage
- Do not expose the GWN7600LR to environments outside of the following humidity range: 5-95% RH (non-condensing).
- Do not power cycle your GWN7600LR during system boot up or firmware upgrade. You may corrupt firmware images and cause the unit to malfunction.

PACKAGE CONTENTS



1 x GWN7600LR Access Point



1 x Cover Bracket



1 x Base Bracket



4 x Screw (PM8 x 115)



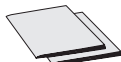
2 x Assembled Screw



4 x Screws and Anchors



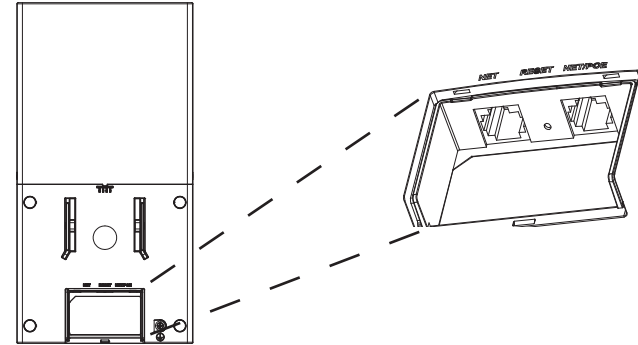
4 x Locknut



1 x Quick Installation Guide
1 x GPL Statement

~1~

GWN7600LR PORTS



Port	Description
NET/POE	Ethernet RJ45 port (10/100/1000Mbps) supporting PoE.
NET	Ethernet RJ45 port (10/100/1000Mbps) to your router or another GWN76xx.
RESET	Factory reset button. Press for 7 seconds to reset factory default settings.

POWERING AND CONNECTING THE GWN7600LR

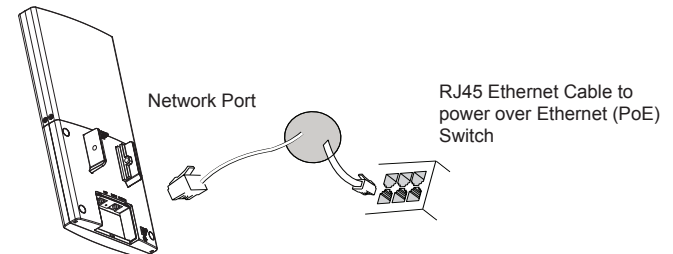
GWN7600LR can be powered on via PoE switch using following steps:

Step 1:

Plug a RJ45 Ethernet cable into the network port of the GWN7600LR.

Step 2:

Plug the other end into the uplink port of the power over Ethernet (PoE) switch.



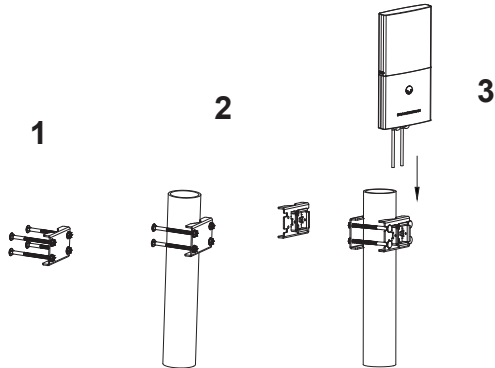
~2~

HARDWARE INSTALLATION

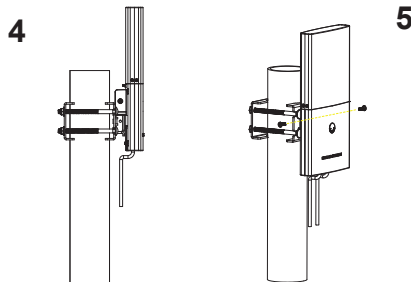
GWN7600LR can be mounted horizontally or vertically on a metal bar.
Please refer to the following steps for the appropriate installation.

Vertical Mounting

1. Prepare the Cover Bracket by inserting the 4 screws (PM8) into corresponding holes.
2. Attach the Cover Bracket with screws on the vertical Mounting Bolt where GWN7600LR will be installed.
3. Assemble the Base Bracket with the Cover Bracket using provided locknuts and screws (PM8).



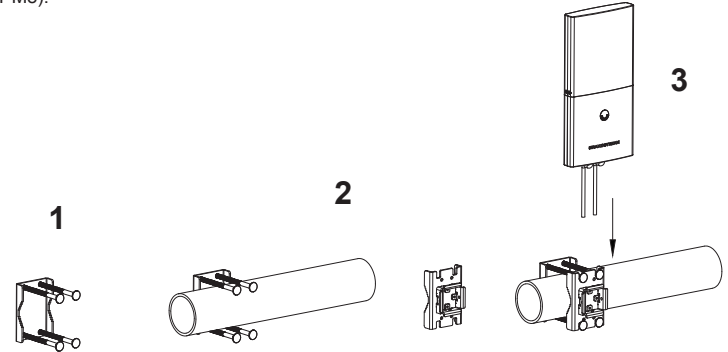
4. Connect the Ethernet cable (RJ45) to the correct ports of your GWN7600LR.
5. Align the GWN7600LR with the Base Bracket and pull it down to the right position.
6. Install the 2x Assembled screws to fix GWN7600LR on the Mounting Bolt.



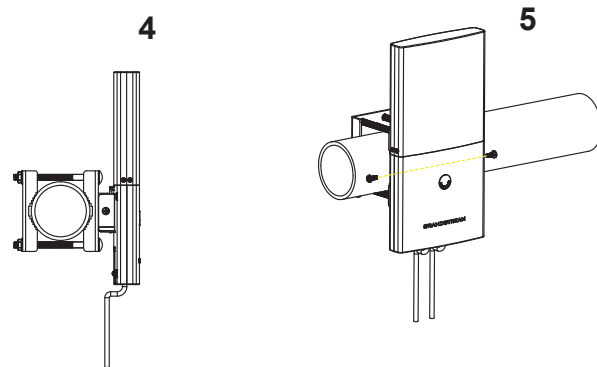
~3~

Horizontal Mounting

1. Prepare the Cover Bracket by inserting the 4 screws (PM8) into corresponding holes.
2. Attach the Cover Bracket with screws on the horizontal Mounting Bolt where GWN7600LR will be installed.
3. Assemble the Base Bracket with the Cover Bracket using provided locknuts and screws (PM8).



4. Connect the Ethernet cable (RJ45) to the correct ports of your GWN7600LR.
5. Align the GWN7600LR with the Base Bracket and pull it down to the right position.
6. Install the 2x Assembled screws to fix GWN7600LR on the Mounting Bolt.



~4~

CONNECT TO GWN7600LR DEFAULT WIFI NETWORK

GWN7600LR can be used as standalone access point out of box, or after factory reset with Wi-Fi enabled by default.

After powering the GWN7600LR and connecting it to the network, GWN7600LR will broadcast a default SSID based on its MAC address **GWN[MAC's last 6 digits]** and a random password.

Note: GWN7600LR's default SSID and password information are printed on the MAC tag of the unit.



Label's content is for reference only, subject to actual production.

ACCESSING THE CONFIGURATION INTERFACE

A computer connected to the GWN7600LR's SSID, or to the same network as the GWN7600LR can discover and access its configuration interface using one of the below methods:

Method 1: Discover GWN7600LR using its MAC Address

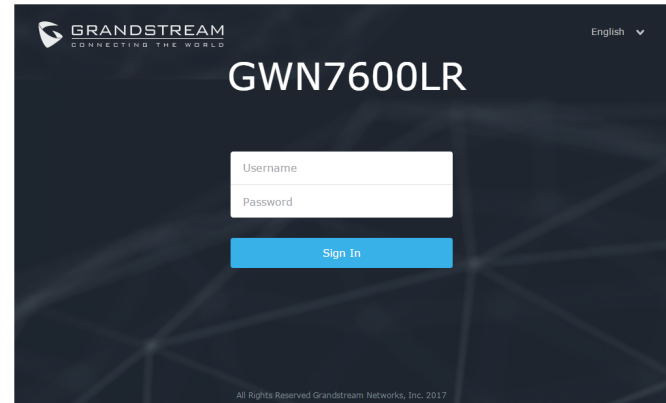
1. Locate the MAC address on the MAC tag of the unit, which is on the underside of the device, or on the package.
2. From a computer connected to same network as the GWN7600LR, type in following address using GWN7600LR's MAC address on your browser **https://gwn_<mac>.local**

Example: If a GWN7600LR has the MAC address 00:0B:82:8C:4D:F8, this unit can be accessed by typing **https://gwn_000b828c4df8.local** on the browser.

Method 2: Discover GWN7600LR using GWN Discovery Tool

1. Download and install **GWN Discovery Tool** from the following link:
<http://www.grandstream.com/tools/GWNDiscoveryTool.zip>
2. Open the GWN DiscoveryTool, and click on **Scan**.
3. The tool will discover all GWN76XX Access Points connected on the network showing their MAC and IP addresses.
4. Click on **Manage Device** to be redirected directly to the GWN7600LR's configuration interface, or type in manually the displayed IP address on your browser.

Using one of the above methods, the login screen will appear. Type in "admin" in both Username and Password fields and click on **Sign In**.



Notes :

- Make sure that the GWN7600LR is not already paired with another GWN76xx Access Point as slave, or GWN7000 Router Series, otherwise the configuration interface cannot be accessed.
- If the GWN7600LR is already paired, make sure to unpair it first, or do a factory reset.
- It is customer's responsibility to ensure compliance with local regulations for frequency bands, transmit power and others.

Refer to online documents and FAQ for more detailed information:

<http://www.grandstream.com/our-products>

FCC Caution:

Any Changes or modifications not expressly approved by the party responsible for compliance could void the user's authority to operate the equipment.

This device complies with part 15 of the FCC Rules. Operation is subject to the following two conditions: (1) This device may not cause harmful interference, and (2) this device must accept any interference received, including interference that may cause undesired operation.

Note: This equipment has been tested and found to comply with the limits for a Class B digital device, pursuant to part 15 of the FCC Rules. These limits are designed to provide reasonable protection against harmful interference in a residential installation. This equipment generates, uses and can radiate radio frequency energy and, if not installed and used in accordance with the instructions, may cause harmful interference to radio communications. However, there is no guarantee that interference will not occur in a particular installation. If this equipment does cause harmful interference to radio or television reception, which can be determined by turning the equipment off and on, the user is encouraged to try to correct the interference by one or more of the following measures:

- Reorient or relocate the receiving antenna.
- Increase the separation between the equipment and receiver.
- Connect the equipment into an outlet on a circuit different from that to which the receiver is connected.
- Consult the dealer or an experienced radio/TV technician for help.

FCC Radiation Exposure Statement:

This equipment complies with FCC radiation exposure limits set forth for an uncontrolled environment. This equipment should be installed and operated with minimum distance 20cm between the radiator& your body.

This transmitter must not be co-located or operating in conjunction with any other antenna or transmitter.

ISED Warning

This device complies with Innovation, Science, and Economic Development Canada licence-exempt RSS standard(s). Operation is subject to the following two conditions:

- (1) this device may not cause interference, and
- (2) this device must accept any interference, including interference that may cause undesired operation of the device.

Le présent appareil est conforme aux CNR d'Innovation, Sciences et Développement économique Canada applicables aux appareils radio exempts de licence. L'exploitation est autorisée aux deux conditions suivantes :

- (1) l'appareil n' doit pas produire de brouillage, et*
- (2) l'utilisateur de l'appareil doit accepter tout brouillage radioélectrique subi, même si le brouillage est susceptible d'en compromettre le fonctionnement.*

ISED RF exposure statement :

This equipment complies with ISED radiation exposure limits set forth for an uncontrolled environment .This equipment should be installed and operated with minimum distance 20cm between the radiator& your body.

This transmitter must not be co-located or operating in conjunction with any other antenna or transmitter.

Cet équipement est conforme aux ISED RF limites d'exposition aux radiations dans un environnement non contrôlé. Cet émetteur ne doit pas être situé ou opérant en conjonction avec une autre antenne ou émetteur.