

Grandstream Networks, Inc.

126 Brookline Ave, 3rd Floor
Boston, MA 02215 USA
Voice: (617) 566-9300
Fax: (617) 249-1987

www.grandstream.com



FCC ID: YZZGUV3105

For Certification, Warranty and RMA information,
please visit www.grandstream.com



GU3105

Advanced 1080p USB Webcam

Quick Installation Guide

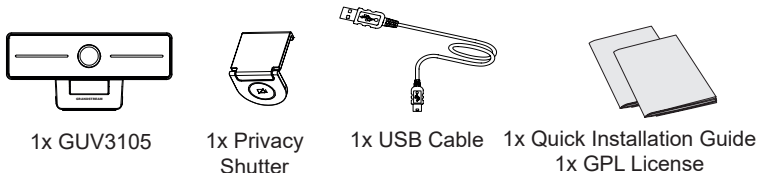
PRECAUTIONS:

- Do not attempt to open, disassemble, or modify the device.
- Do not expose the device to temperatures outside the range -10°C to +50°C (14°F to 122°F) in operation and -10°C to +60°C (14°F to 140°F) in storage.
- Do not expose the GUV3105 camera at environments outside of the humidity range of 10-90% RH (non-condensing).
- Avoid heavy pressure, severe vibration, soaking damage to the product in transportation, storage and installation.
- The camera body is made of organic material, please do keep way from corrosive liquid, gas or solid material.
- When cleaning the camera lens, wipe with a soft and dry cloth. If with too much dust, wipe gently with a mild detergent. Do not use strong or corrosive detergent, so as not to scratch the lens, affecting the image effect.

OVERVIEW:

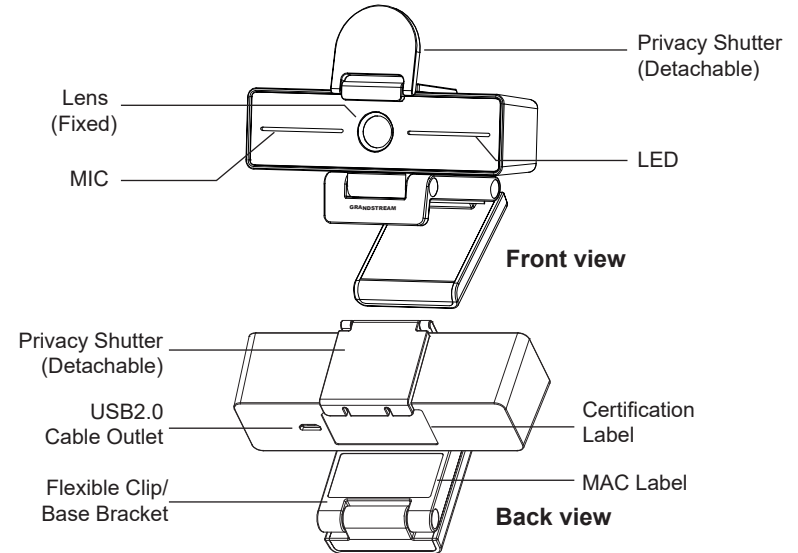
GUV3105 is an advanced 1080p USB webcam. It is exquisite and small, yet fully functional. Excellent sensors and algorithms provide vivid images with clear brightness, high resolution, and fantastic color rendition. The excellent camera and built-in omnidirectional microphones ensure realistic communication effects. Moreover, it is equipped with privacy shutter, which provides excellent protection for personal privacy. The minimalist industrial design is more convenient to carry and install, plug and play.

PACKAGE CONTENTS:



~ 1 ~

GUV3105 DESCRIPTION:

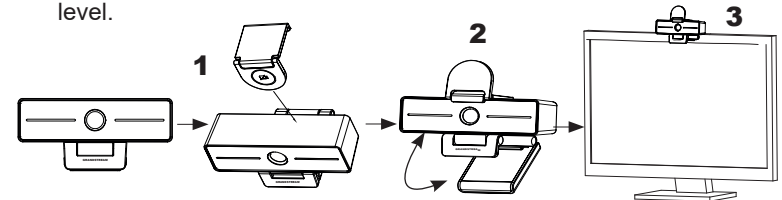


INSTALLING THE GUV3105:

On TV screen/laptop:

The GUV3105 can be installed on TV screen/top of laptop using its Built-in bracket by following the steps below :

1. (Optional) Connect the detachable privacy shutter.
2. Open the rotating bracket under the main unit, as shown in the following figure.
3. Fasten the main unit to the top border of the TV/top of laptop.
4. According to the thickness of the display, adjust the rotating bracket to the most suitable angle to ensure that the top of the bracket is level.



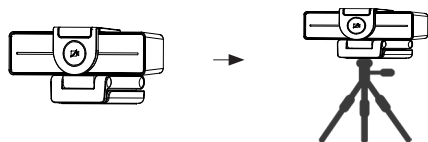
~ 2 ~

On desk/tripod:

The GUV3105 can be installed on desk/tripod directly using its built-in bracket by following the steps below :

1. Keep the rotating bracket under the main unit closed, as shown in the following figure.
2. Position the unit on desk or screw the camera onto the tripod using the threaded hole in the bottom of the GUV3105 bracket.

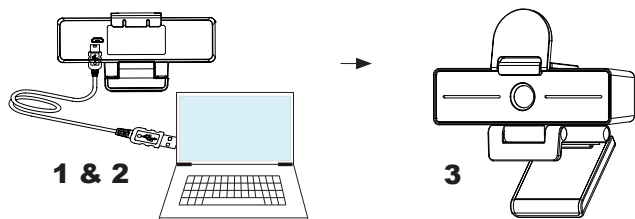
Note: Tripod is not provided in the package.



CONNECTING AND USING THE GUV3105:

After installing the GUV3105:

1. Connect the USB cable (micro USB side) to GUV3105 USB port.
2. Connect the USB cable with computer, video conference devices or other USB input device.
3. Flick the privacy shutter up to unveil the camera lens.
4. Open the video software and select the video device to get video output.



Refer to online documents and FAQ for more detailed information:

<http://www.grandstream.com/our-products>

U.S. FCC Part 15 Regulatory Information

This device complies with part 15 of the FCC Rules. Operation is subject to the following two conditions: (1) this device may not cause harmful interference, and (2) this device must accept any interference received, including interference that may cause undesired operation.

Any Changes or modifications not expressly approved by the party responsible for compliance could void the user's authority to operate the equipment.

Note: This equipment has been tested and found to comply with the limits for a Class B digital device, pursuant to part 15 of the FCC Rules. These limits are designed to provide reasonable protection against harmful interference in a residential installation. This equipment generates, uses and can radiate radio frequency energy and, if not installed and used in accordance with the instructions, may cause harmful interference to radio communications. However, there is no guarantee that interference will not occur in a particular installation. If this equipment does cause harmful interference to radio or television reception, which can be determined by turning the equipment off and on, the user is encouraged to try to correct the interference by one or more of the following measures:

- Reorient or relocate the receiving antenna.
- Increase the separation between the equipment and receiver.
- Connect the equipment into an outlet on a circuit different from that to which the receiver is connected.
- Consult the dealer or an experienced radio/TV technician for help.

Canada Regulatory Information

CAN ICES-3 (B)/NMB-3(B)