

Grandstream Networks, Inc.

126 Brookline Ave, 3rd Floor
Boston, MA 02215 USA
Voice: (617) 566-9300
Fax: (617) 249-1987

www.grandstream.com



FCC ID: YZZGUV3100

For Certification, Warranty and RMA information,
please visit www.grandstream.com



GU3100

1080P Webcam

Quick Installation Guide

PRECAUTIONS:

- Do not attempt to open, disassemble, or modify the device.
- Do not expose the device to temperatures outside the range 0°C to 55°C (32°F to 131°F) in operation and -10°C to 60°C (14°F to 140°F) in storage.
- Do not expose the GUV3100 camera at environments outside of the humidity range of 10-90% RH (non-condensing).
- Avoid heavy pressure, severe vibration, soaking damage to the product in transportation, storage and installation.
- The camera body is made of organic material, please do keep way from corrosive liquid, gas or solid material.
- When cleaning the camera lens, wipe with a soft and dry cloth. If with too much dust, wipe gently with a mild detergent. Do not use strong or corrosive detergent, so as not to scratch the lens, affecting the image effect.

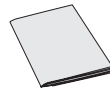
OVERVIEW:

Grandstream GUV3100 1080P Webcam features perfect functions and excellent performance. Adopts advanced ISP processing algorithms to provide vivid images with evenly clear brightness, strong color layering, high resolution, and fantastic color rendition. Easy and convenient to install and maintain, stable and reliable.

PACKAGE CONTENTS:



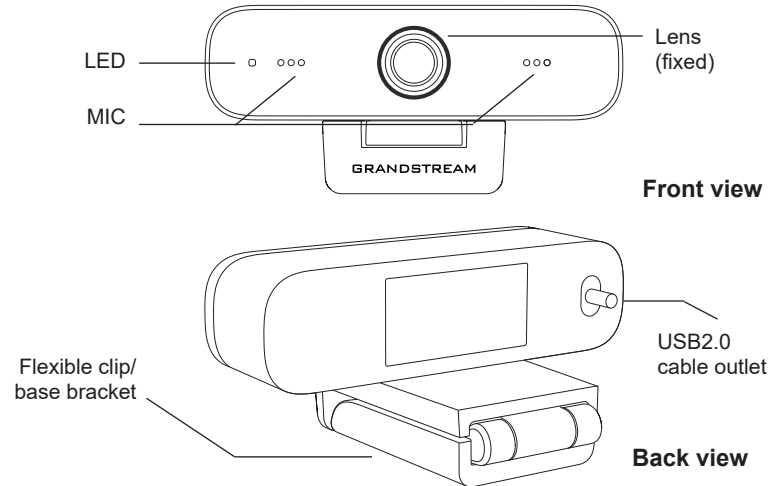
1x GUV3100



1x Quick Installation Guide

~ 1 ~

GUV3100 DESCRIPTION:

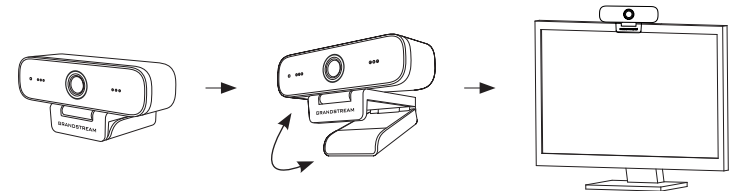


INSTALLING THE GUV3100:

On TV screen/laptop:

The GUV3100 can be installed on TV screen/top of laptop using its Built-in bracket by following the steps below :

1. Open the rotating bracket under the main unit, as shown in the following figure.
2. Fasten the main unit to the top border of the TV/top of laptop.
3. According to the thickness of the display, adjust the rotating bracket to the most suitable angle to ensure that the top of the bracket is level.



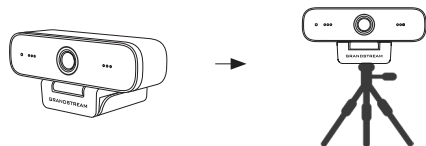
~ 2 ~

On desk/tripod:

The GUV3100 can be installed on desk/tripod directly using its Built-in bracket by following the steps below :

1. Keep the rotating bracket under the main unit closed, as shown in the following figure.
2. Position the unit on desk or screw the camera onto the tripod using the threaded hole in the bottom of the GUV3100 bracket.

Note: Tripod is not provided in the package.



CONNECTING AND USING THE GUV3100:

After installing the GUV3100:

1. Connect the USB cable with computer, video conference devices or other USB input device.
2. Open the video software and select the video device to get video output.

The GNU GPL license terms can be accessed here:

<http://www.grandstream.com/legal/open-source-software>

To obtain a CD with GPL source code information please submit a written request to info@grandstream.com

Refer to online documents and FAQ for more detailed information:

<http://www.grandstream.com/our-products>

U.S. FCC Part 15 Regulatory Information

This device complies with part 15 of the FCC Rules. Operation is subject to the following two conditions: (1) this device may not cause harmful interference, and (2) this device must accept any interference received, including interference that may cause undesired operation.

Any Changes or modifications not expressly approved by the party responsible for compliance could void the user's authority to operate the equipment.

Note: This equipment has been tested and found to comply with the limits for a Class B digital device, pursuant to part 15 of the FCC Rules. These limits are designed to provide reasonable protection against harmful interference in a residential installation. This equipment generates, uses and can radiate radio frequency energy and, if not installed and used in accordance with the instructions, may cause harmful interference to radio communications. However, there is no guarantee that interference will not occur in a particular installation. If this equipment does cause harmful interference to radio or television reception, which can be determined by turning the equipment off and on, the user is encouraged to try to correct the interference by one or more of the following measures:

- Reorient or relocate the receiving antenna.
- Increase the separation between the equipment and receiver.
- Connect the equipment into an outlet on a circuit different from that to which the receiver is connected.
- Consult the dealer or an experienced radio/TV technician for help.

Canada Regulatory Information

CAN ICES-3 (B)/NMB-3(B)