

Grandstream Networks, Inc.

126 Brookline Ave, 3rd Floor  
Boston, MA 02215. USA  
Tel : +1 (617) 566 - 9300  
Fax: +1 (617) 249 - 1987

[www.grandstream.com](http://www.grandstream.com)



**GSC3506**

**SIP/Multicast Intercom Speaker**

**Quick Installation Guide**



For Certification, Warranty and RMA information,  
please visit [www.grandstream.com](http://www.grandstream.com)

## Content

---

English.....	1
--------------	---

The GSC3506 is not pre-configured to support or make emergency calls to any type of hospital, law enforcement agency, medical care unit (“Emergency Service(s)”) or any other kind of Emergency Service. You must make additional arrangements to access Emergency Services. It is your responsibility to purchase SIP-compliant Internet telephone service, properly configure the GSC3506 to use that service, and periodically test your configuration to confirm that it works as you expect. It is also your responsibility to purchase traditional wireless or landline telephone services to access Emergency Services.

GRANDSTREAM DOES NOT PROVIDE CONNECTIONS TO EMERGENCY SERVICES VIA THE GSC3506. NEITHER GRANDSTREAM NOR ITS OFFICES, EMPLOYEES OR AFFILIATES MAY BE HELD LIABLE FOR ANY CLAIM, DAMAGE, OR LOSS, AND YOU HEREBY WAIVE ANY AND ALL SUCH CLAIMS OR CAUSES OF ACTION ARISING FROM OR RELATING TO YOUR INABILITY TO USE THE GSC3506 TO CONTACT EMERGENCY SERVICES, AND YOUR FAILURE TO MAKE ADDITIONAL ARRANGEMENTS TO ACCESS EMERGENCY SERVICES IN ACCORDANCE WITH THE IMMEDIATELY PRECEDING PARAGRAPH.

The GNU GPL license terms are incorporated into the device firmware and can be accessed via the Web user interface of the device at `my_device_ip/gpl_license`. It can also be accessed here: <http://www.grandstream.com/legal/open-source-software>

To obtain a CD with GPL source code information please submit a written request to [info@grandstream.com](mailto:info@grandstream.com)

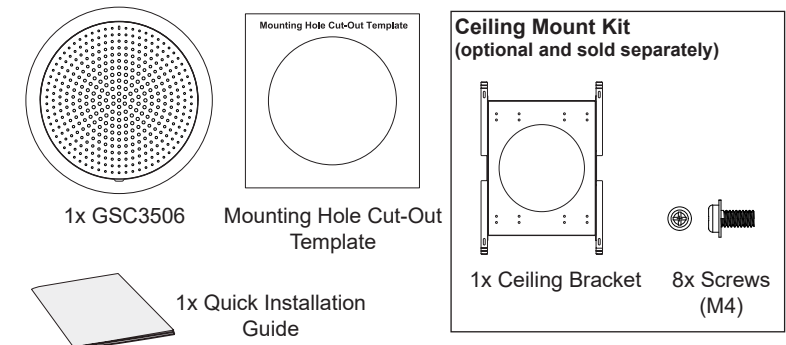
## OVERVIEW

The GSC3506 is a 1-way public address SIP speaker that allows of-fices, schools, hospitals, apartments and more to build powerful public address announcement solutions that expand security and communication. This robust SIP speaker offers crystal clear HD audio functionality with a high-fidelity 30-Watt HD speaker. The GSC3506 support built-in whitelists ,blacklists and greylists to easily block unwanted calls, SIP and multicast paging, group paging and PTT. users can easily sculpt a state-of-the-art security and PA announcement solution. Thanks to its modern industrial design and rich features, the GSC3506 is the ideal SIP speaker for any setting.

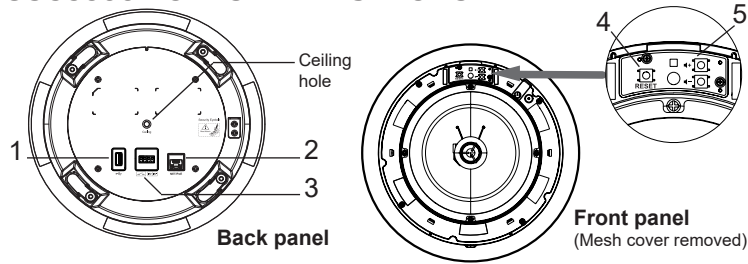
## PRECAUTIONS

- Do not attempt to open, disassemble, or modify the device.
- Do not expose this device to temperatures outside range of 0 °C to 45 °C in operation and -10 °C to 60 °C in storage.
- Do not expose the GSC3506 to environments outside of the following humidity range: 10-90% RH (non-condensing).
- Do not power cycle your GSC3506 during system boot up or firmware upgrade. You may corrupt firmware images and cause the unit to malfunction.

## PACKAGE CONTENTS



## GSC3506 PORTS AND BUTTONS



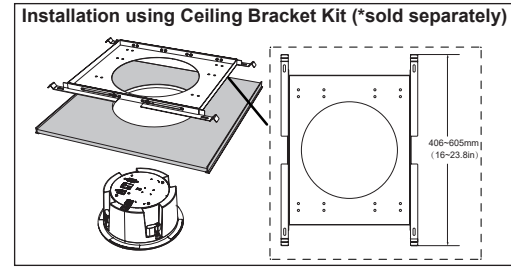
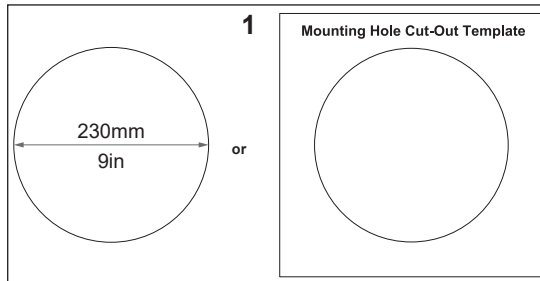
NO.	Port	Label	Description
1		USB Port	USB2.0, External USB Storage
2		NET/PoE	Ethernet RJ45 port (10/100Mbps) supporting PoE/PoE+.
3		2-Pin port	2-pin switch-in input port Alarm-in input port (Access voltage 5V to 12V)
4		Reset	Factory reset button. Press for 10 seconds to reset factory default settings.
5		Volume	Sound Volume buttons.

## HARDWARE INSTALLATION

GSC3506 can be mounted on the ceiling or the Boom. Please refer to the following steps for the appropriate installation.

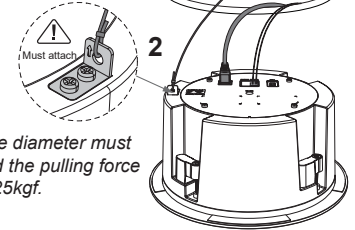
### Ceiling Mount

1. Drill a round hole with a diameter of 230mm or use the Mounting Hole Cut-Out Template.

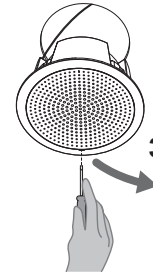


Fix the Ceiling Bracket using the screws from the kit as show in the illustration.

2. To ensure safety, install first the anti-fall ropes, then plug in the Ethernet and 2-pin cables.



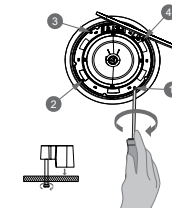
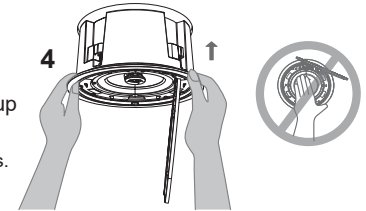
**Note:** The anti-fall rope diameter must be less than 5mm, and the pulling force must be greater than 25kgf.



3. Open the front cover with a flat-head screwdriver.

4. Align the device with the hole and push up slowly with two hands.

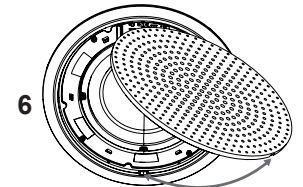
**Warning:** Avoid pressing the horn with your hands.



5. Use a screwdriver and gently rotate clockwise the screws marked as (1), (2), (3) and (4) in the step 5 illustration.

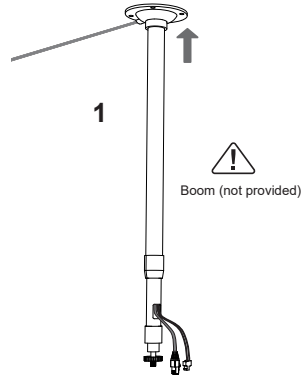
**Warning:** If you use an electric drill, make sure to adjust it to the minimum speed gear first.

6. Align the notch on the front cover with the notch on the device, press the whole front cover to ensure that each buckle is fastened.

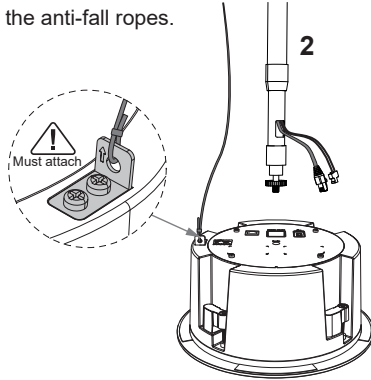


## Boom Mount

1. Fix the Boom in the ceiling.

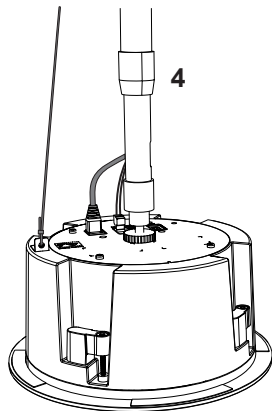
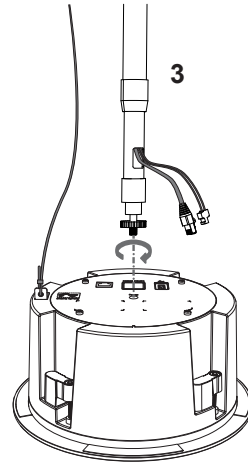


2. To ensure safety, install first the anti-fall ropes.



**Note:** The anti-fall rope diameter must be less than 5mm, and the pulling force must be greater than 25kgf.

3. Attach the Boom with GSC3506 ceiling hole and rotate to fix it in place.



4. Plug in the Ethernet and 2-pin cables.

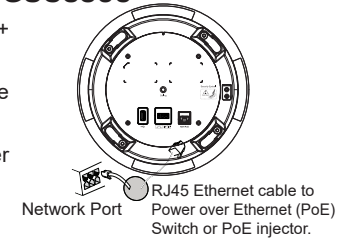
## POWERING AND CONNECTING GSC3506

GSC3506 can be powered on using PoE/PoE+ switch or PoE injector using following steps:

**Step 1:** Plug a RJ45 Ethernet cable into the network port of the GSC3506.

**Step 2:** Plug the other end into the power over Ethernet (PoE) switch or PoE injector.

**Note:** It is recommended to use PoE+ power supply to achieve the best audio effect.

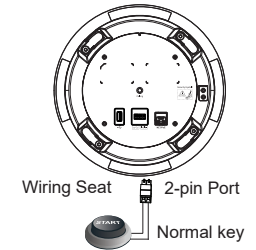


## Connecting Wiring Seat

GSC3506 support to connect a "Normal Key" to 2-pin port via Wiring Seat.

**Step 1:** Take the wiring seat from the install kits.

**Step 2:** Connect the Normal Key with the wiring seat (as shown in the illustration on the right).



## ACCESSING THE CONFIGURATION INTERFACE

A computer connected to the same network as the GSC3506 can discover and access its configuration interface using its MAC address :

1. Locate the MAC address on the MAC tag of the unit, which is on the underside of the device, or on the package.
2. From a computer connected to same network as the GSC3506, type in the following address using the GSC3506's MAC address on your browser: **http://gsc\_<mac>.local**

**Example:** if a GSC3506 has the MAC address C0:74:AD:11:22:33, this unit can be accessed by typing **http://gsc\_c074ad112233.local** on the browser.



For more information, please refer to GSC3506 User Manual at: <https://www.grandstream.com/support>

**U.S. FCC Part 15 Regulatory Information**

This device complies with part 15 of the FCC Rules. Operation is subject to the following two conditions:

(1) this device may not cause harmful interference, and (2) this device must accept any interference received, including interference that may cause undesired operation.

Any Changes or modifications not expressly approved by the party responsible for compliance could void the user's authority to operate the equipment.

Note: This equipment has been tested and found to comply with the limits for a Class B digital device, pursuant to part 15 of the FCC Rules. These limits are designed to provide reasonable protection against harmful interference in a residential installation. This equipment generates, uses and can radiate radio frequency energy and, if not installed and used in accordance with the instructions, may cause harmful interference to radio communications.

However, there is no guarantee that interference will not occur in a particular installation. If this equipment does cause harmful interference to radio or television reception, which can be determined by turning the equipment off and on, the user is encouraged to try to correct the interference by one or more of the following measures:

- Reorient or relocate the receiving antenna.
- Increase the separation between the equipment and receiver.
- Connect the equipment into an outlet on a circuit different from that to which the receiver is connected.

—Consult the dealer or an experienced radio/TV technician for help.

CAN ICES-003 (B)/NMB-003(B)

If trouble is experienced with this equipment, please contact below :

Company Name: Grandstream Networks, Inc.

Address: 126 Brookline Ave, 3rd Floor Boston, MA 02215, USA

Tel: 1-617-5669300

Fax: 1-617-2491987