

DP755-ANT800 天线技术规格书 Antenna Specification

Brand Name: GRANDSTREAM

Manufacture: SHENZHEN CHAOLIU NETWORK TECHNOLOGIES CO., LTD

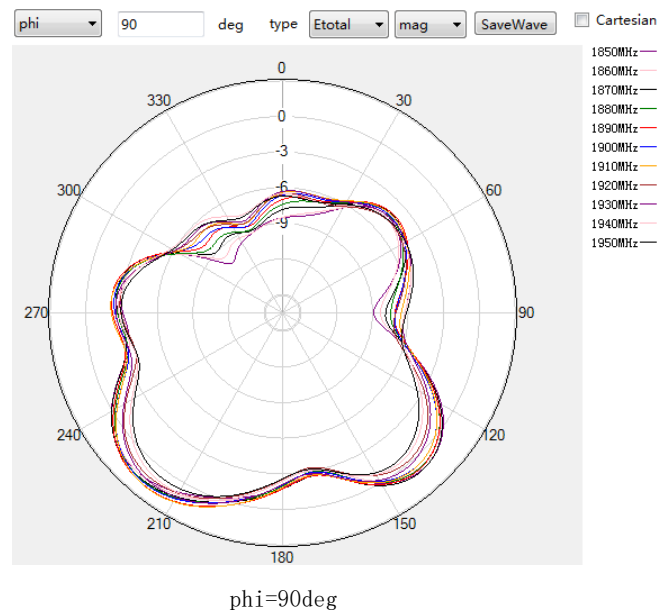
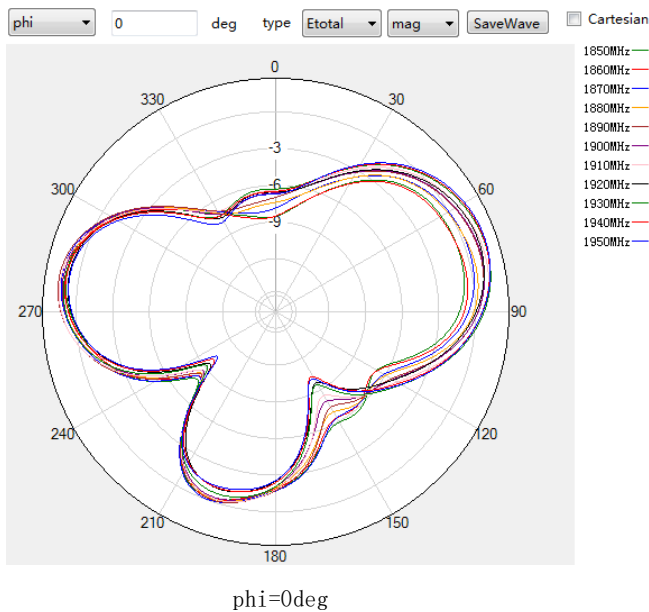
Manufacturing address: 14th Floor, Coolpad Building-C, Coolpad Building, Gaoxin North District, Science Park, Nanshan District, Shenzhen

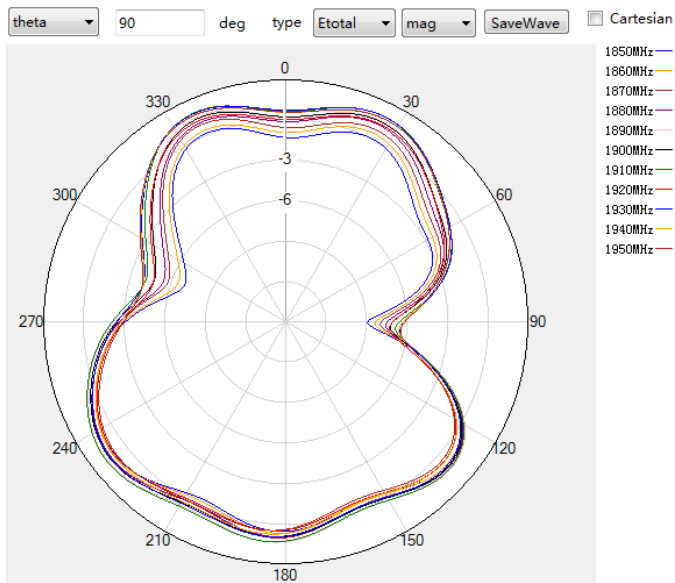
Product Number (or model Name) : 118-00053-00

设计规格 specifications

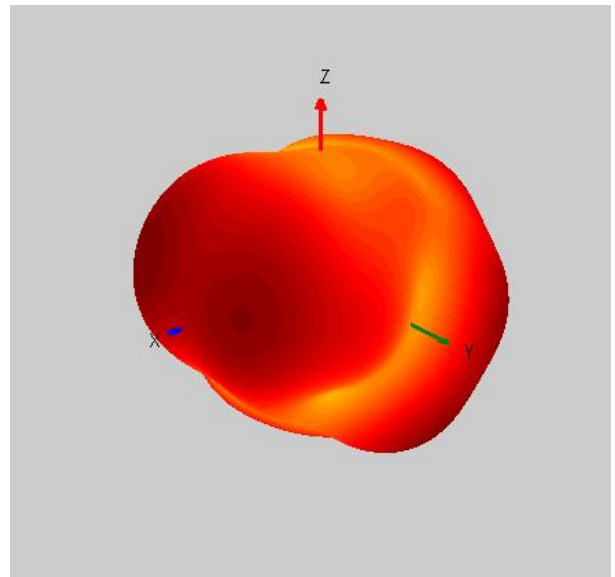
频率范围 Frequency (MHz)	1850~1950
电压驻波比 VSWR	$\leq 2.0: 1$
增益 Gain (dBi)	2.0
效率 Efficiency (%)	≥ 60
天线类型 Type	Monopole Antenna
辐射方向 Radiation Properties	全向 Omni-directional
最大输入功率 Max Input Power (Watts)	2
极化方式 Polarization	水平 horizontal
阻抗 Impedance (Ohms)	50
外形尺寸 Dimensions (mm)	L26.2*W3.5*H13.8mm
材质 Material	Copper
重量 Weight	0.271g
工作温度 Operation Temperature	-40°C to 85°C
储存温度 Storage Temperature	-40°C to 85°C
相对湿度 Relative Humidity	40% to 95%
环保认证 ROHS Compliant	通过 Yes

辐射方向图 Radiation Pattern



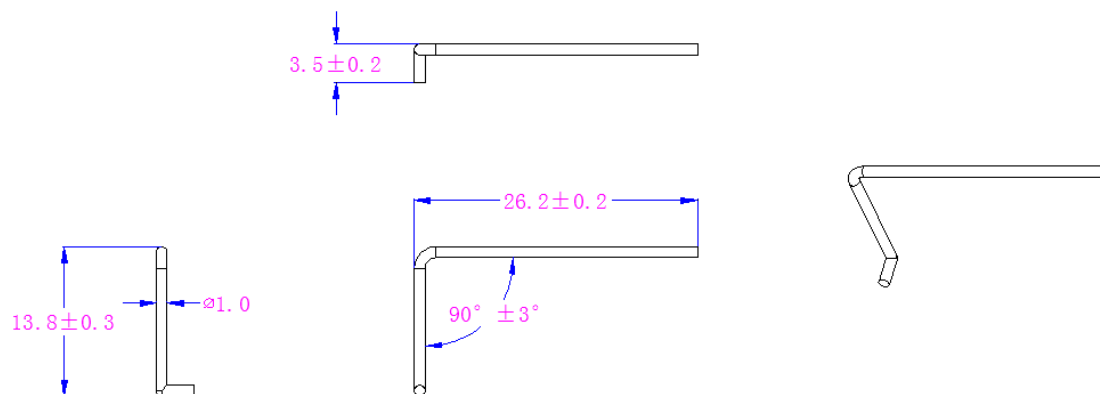


theta=90deg



3D

总成图 Mechanical Drawing



▲ 规格书到此结束 END OF THE SPECIFICATION.