

D

C

B

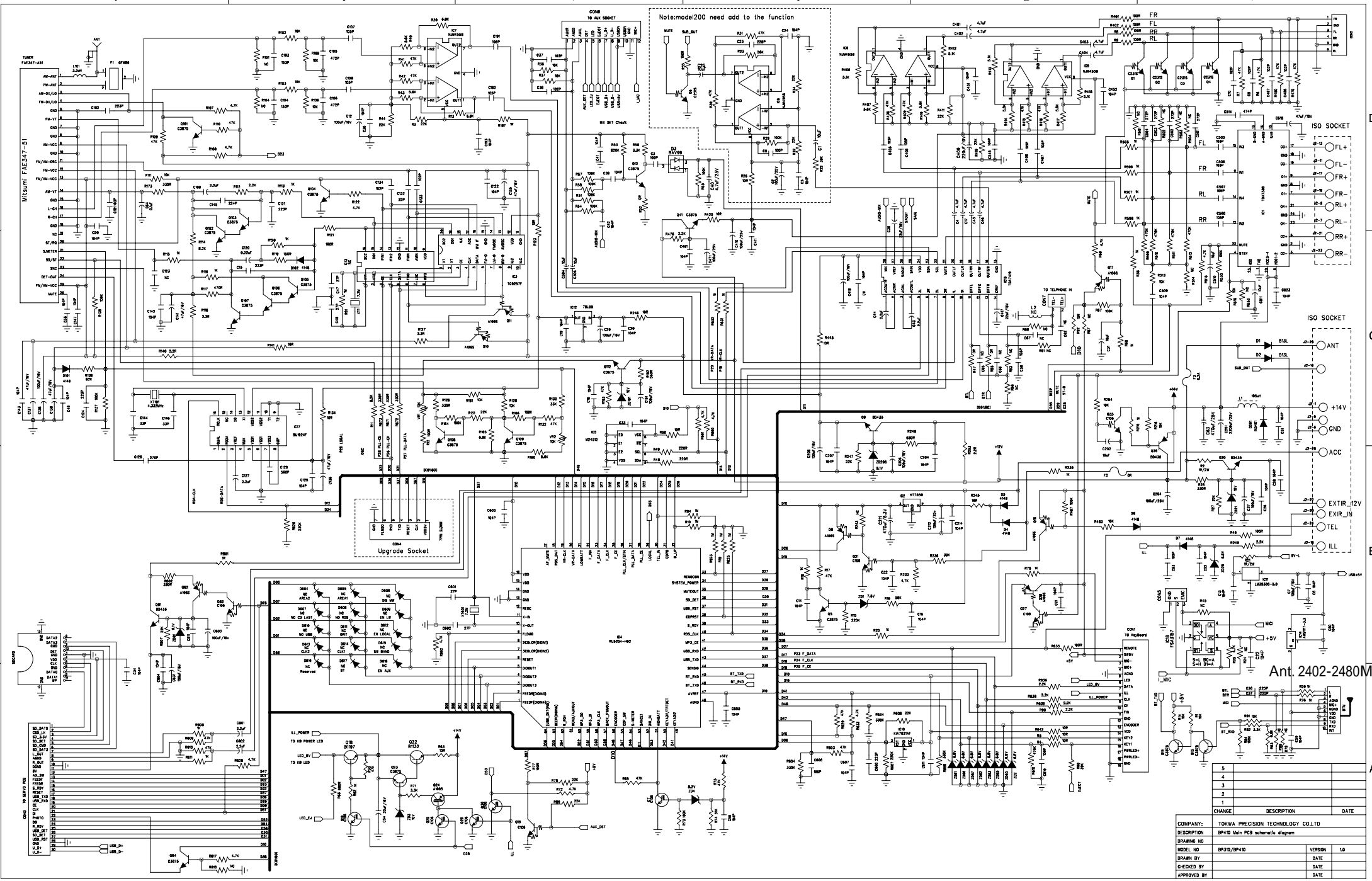
A

D

C

B

A

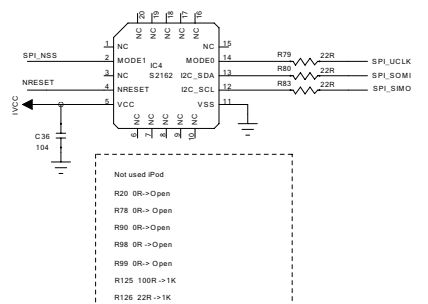
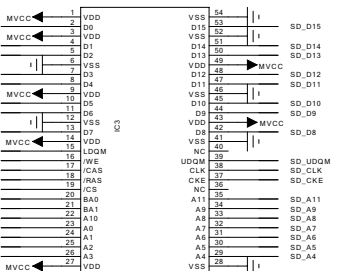
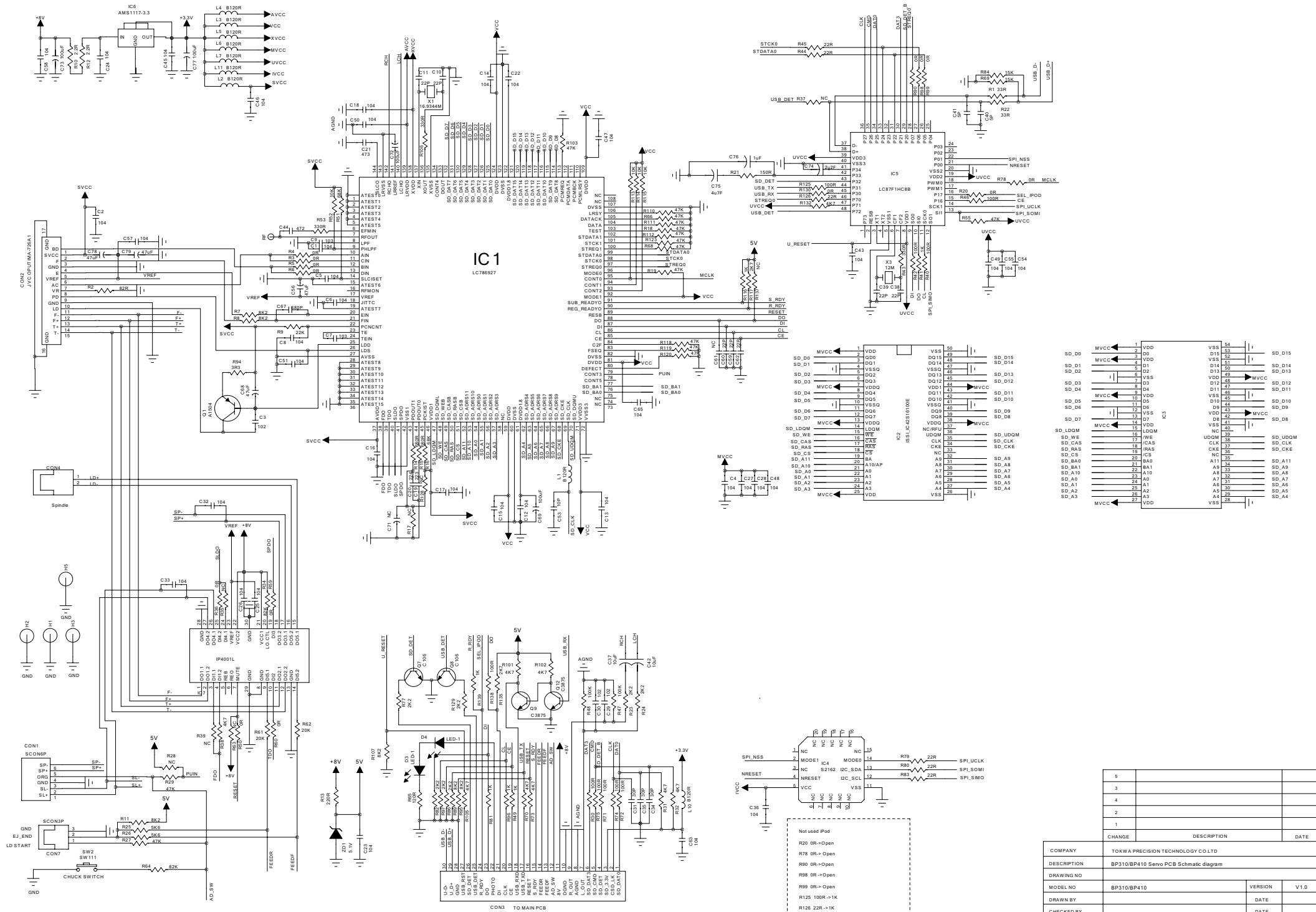


Ant. 2402-2480MHz

CHANGE	DESCRIPTION	DATE
5		
4		
3		
2		
1		

COMPANY: TOKWA PRECISION TECHNOLOGY CO.LTD  
 DESCRIPTION: BP410 Main PCB schematic diagram  
 DRAWING NO  
 MODEL NO: BP310/BP410  
 DRAWN BY  
 CHECKED BY  
 APPROVED BY

VERSION	DATE	LO
1.0		

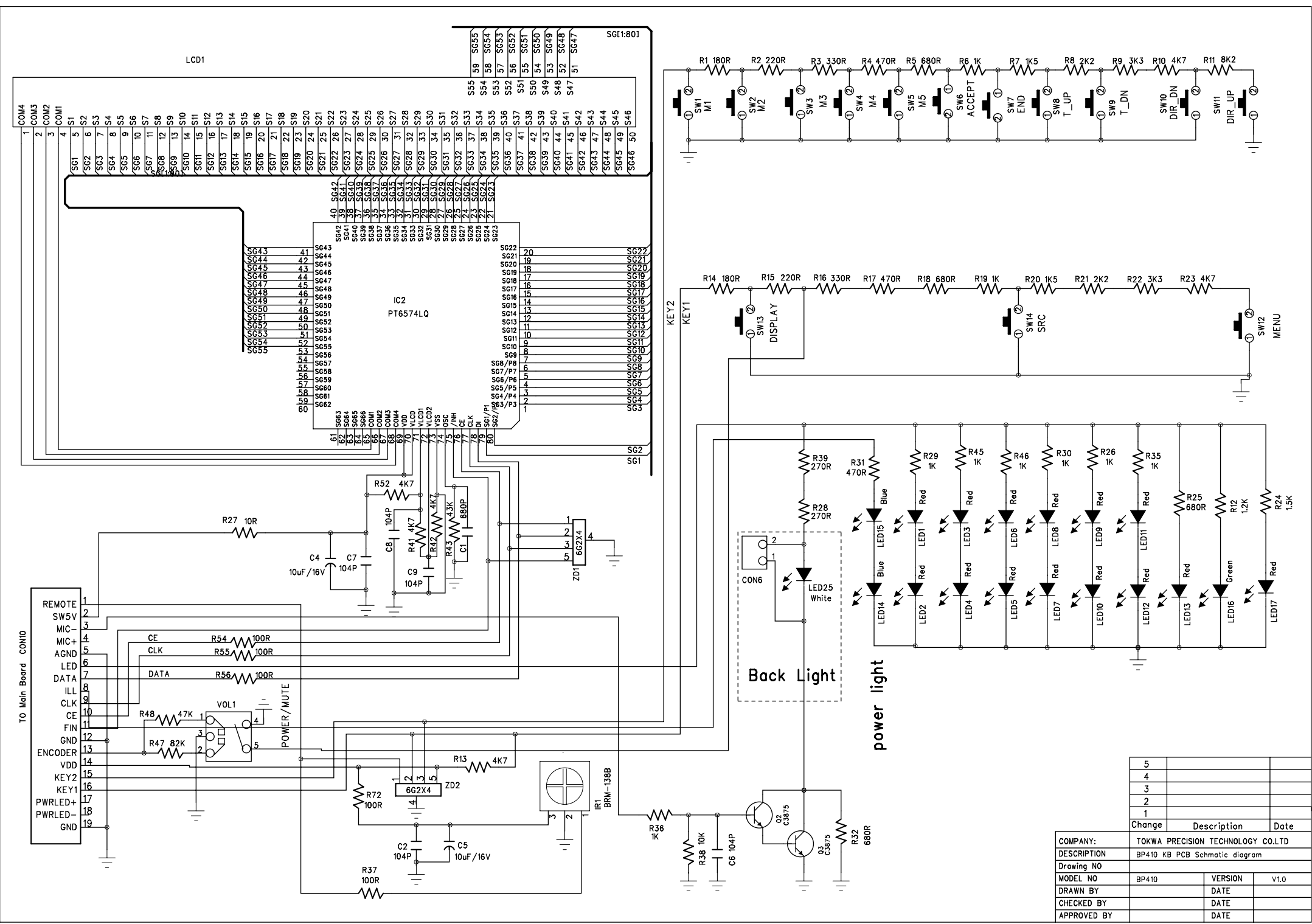


CHANGE	DESCRIPTION	DATE
5		
4		
3		
2		
1		

COMPANY	TOKWA PRECISION TECHNOLOGY CO.LTD		
DESCRIPTION	BP310/BP410 Servo PCB Schematic diagram		
DRAWING NO	IC 52162	IC 52162	IC 52162
MODEL NO	BP310/BP410	VERSION	V.1.0
DRAWN BY		DATE	
CHECKED BY		DATE	
APPROVED BY		DATE	

CON3 TO MAIN PCB

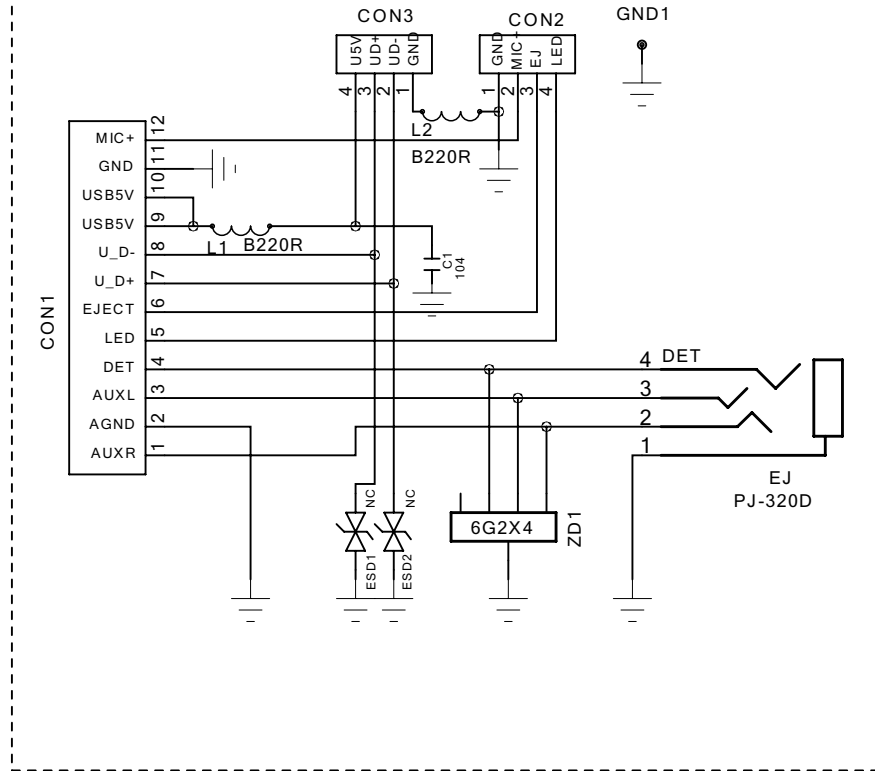
Not used Pinod  
 R20 OR->Open  
 R78 OR->Open  
 R80 OR->Open  
 R88 OR->Open  
 R99 OR->Open  
 R125 100R->1K  
 R126 22R->1K



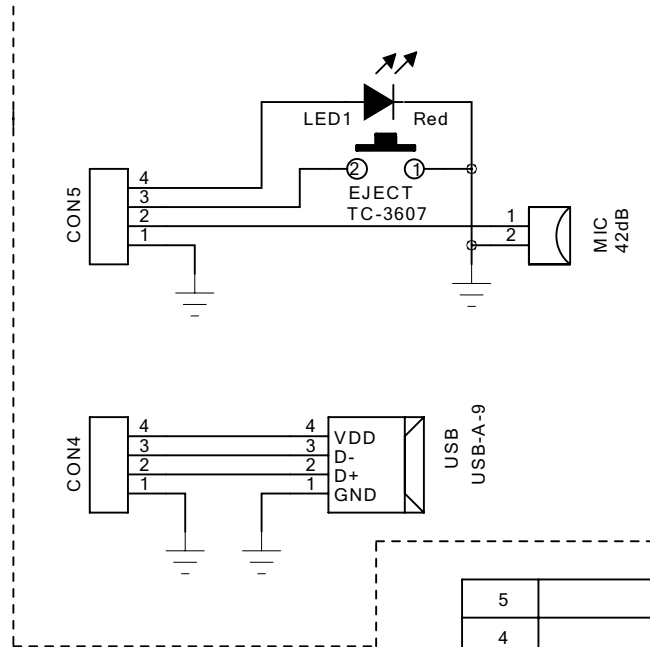
Change	Description	Date
5		
4		
3		
2		
1		

COMPANY:	TOKWA PRECISION TECHNOLOGY CO.LTD		
DESCRIPTION	BP410 KB PCB Schematic diagram		
Drawing NO		VERSION	v1.0
MODEL NO	BP410	DATE	
DRAWN BY		DATE	
CHECKED BY		DATE	
APPROVED BY		DATE	

### AUX IN PARTS



### USB PARTS



5		
4		
3		
2		
1		
Change	Description	Date

COMPANY:	TOKWA PRECISION TECHNOLOGY CO.LTD		
DESCRIPTION	BP310/BP410 USB PCB Schematic diagram		
DRAWING NO			
MODEL NO	BP310/BP410	VERSION	V1.0
DRAWN BY		DATE	
CHECKED BY		DATE	
APPROVED BY		DATE	