

REMOTE CONTROL ELECTRONIC DEADBOLT



www.SimpliciKey.com
1 (800) 785-6595



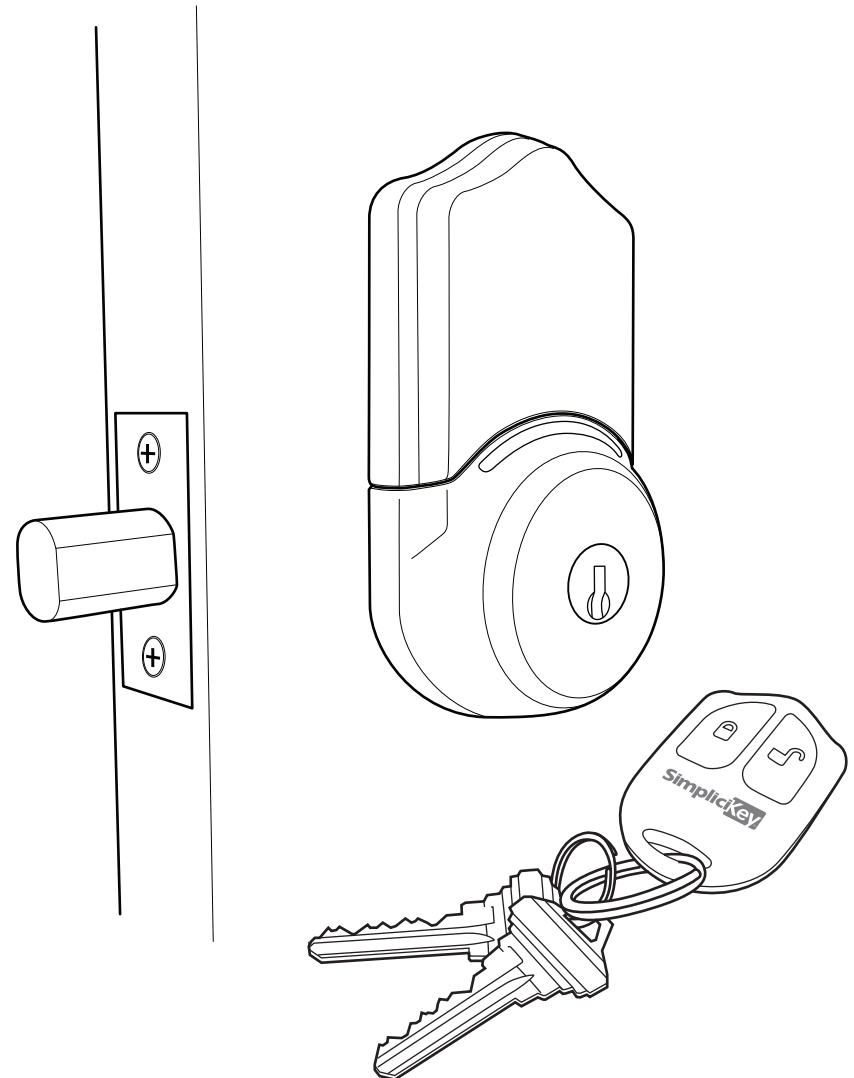
Keep this code safe

Default Admin Code

Place Label Here

LW +2	Lifetime limited finish and mechanical warranty
	2-year electronic warranty
	Garantía limitada de por vida para el acabado y el sistema mecánica
	Garantía de 2 años para el sistema electrónico

(See www.simplicikey.com for more details.)

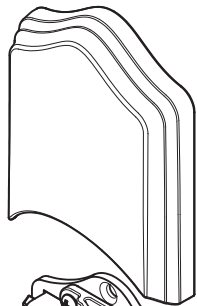




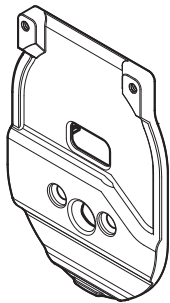
Parts List

First things first—make sure you have all of the necessary components in your SimpliciKey package.

1 interior lock



1 interior plate



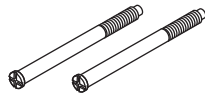
2 short bolts



2 long wood screws



2 long bolts



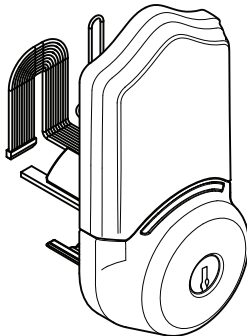
2 short wood screws



2 strike wood screws



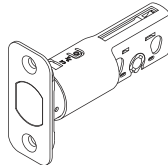
1 exterior lock



1 strike plate



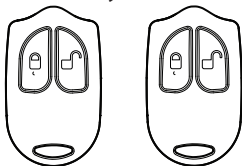
1 deadbolt lock



2 keys



2 remote control keyfobs



1 reinforcement plate



1 strike box



Changing Your User Admin Code

Enter your Default Admin Code (see below) or the existing User Admin Code and press the * key to begin Admin mode.



Critical Point



If the keypad flashes and a multi-tone alert goes off at any point in admin mode, you have taken too long and will have to start over from the first step.



Next, enter ADMIN (23646) on the keypad and press the * key.

A - D - M - I - N - *

Next, enter a new 4–6 digit Admin Code and then press the * key.

Finally, repeat your entry of your new 4–6 digit Admin Code and then press the * key.

You will then receive the final confirmation tone and the keypad will flash twice to let you know that the User Admin Code has been changed.

New Admin Code

We recommend that you write down your new Admin Code here and keep this manual in a safe place.

New Admin Code

WARNING: SimpliciKey submits that no lock, by itself, can provide complete security. As with other mechanical and electronic locking devices, the security of this lock has the potential to be compromised. We remind all our customers to exercise good safety procedures as part of your home security plan. SimpliciKey locks are manufactured to ANSI Grade 2 specifications. For added levels of security, consult a qualified locksmith or security expert.



Keypad Instructions

Your administration code (Admin Code) can be found on the back of this booklet. The Admin Code can be changed by following instructions on page 11.



Command	Press
Simple Lock Feature Enables to lock without entering a Key Code. 1. Enter Admin Code 2. Enter "LOCK" and press * To turn simple lock ON, press 1,* and repeat To turn simple lock OFF, press 2,* and repeat	L/UL Button (used for locking only) Enter Admin Code * L - O - C - K - * * * * To turn on simple lock * * To turn off simple lock
Quiet Lock Feature Turns on/off keypad sounds 1. Enter Admin Code 2. Enter "SOUND" and press * To turn sounds ON, press 1,* and repeat To turn sounds OFF, press 2,* and repeat	Enter Admin Code * S - O - U - N - D - * * * * To turn on sounds * * To turn off sounds
Master Reset Feature Clears all stored codes and settings.	Simultaneously press and hold any button and insert the 4th AA battery.

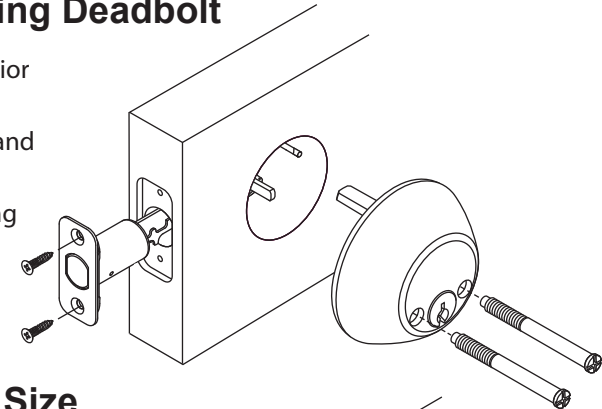
Critical Point If the keypad flashes and a multi-tone alert goes off at any point while in admin mode, you have taken too long and will have to start over from the first step.

LOCK INSTALLATION INSTRUCTIONS



1. Remove Existing Deadbolt

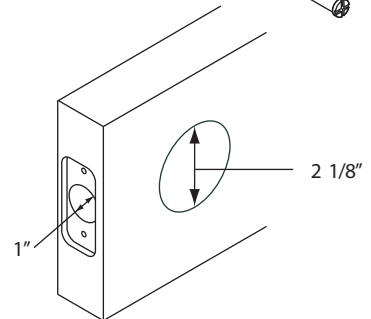
First, remove the two interior screws securing the lock. Next, remove the interior and exterior lock components. Finally, take out the existing deadbolt slide assembly.



2. Check Cutout Size

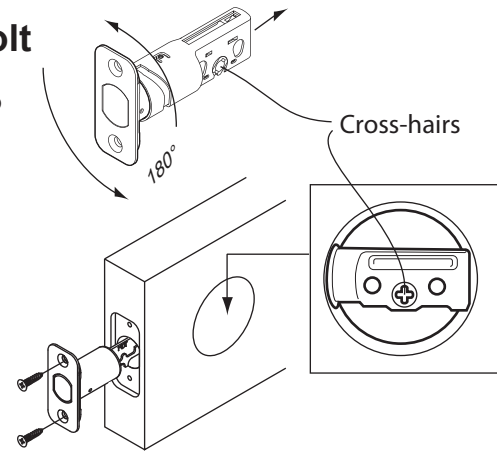


Stop to measure the cutouts for the lock components. If the main cutout is 2-1/8 inches in diameter, and latch cutout is 1 inch, you're ready to go. If not, you may need to use the template to adjust the hole size.



3. Install New Deadbolt

Place deadbolt into door, check to see if cross-hairs are centered. To adjust the deadbolt length, twist the deadbolt slide assembly to extend and center in cutout. Make sure cross-hairs are on the lower part of the assembly. Check that the plate sits flush with the door. Secure the deadbolt plate to the door with two short wood screws.

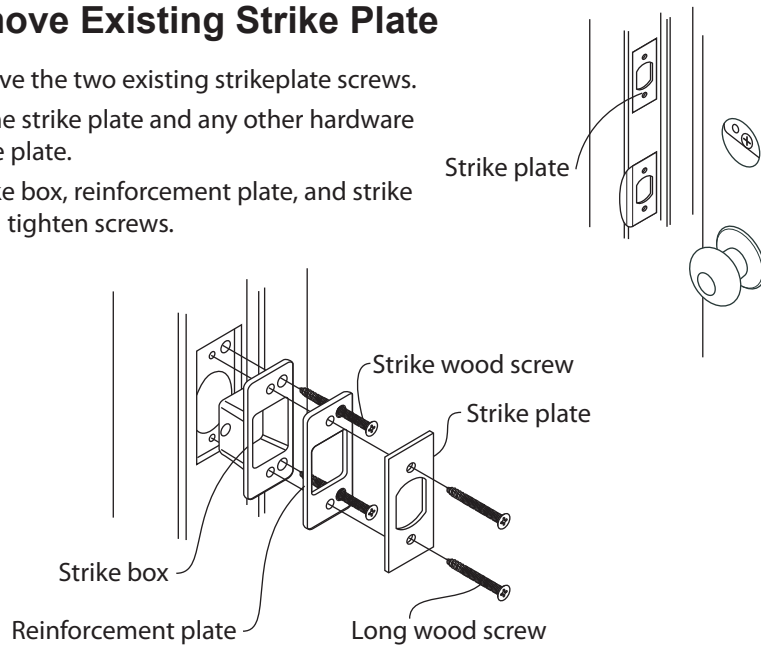




4. Remove Existing Strike Plate

First, remove the two existing strikeplate screws. Remove the strike plate and any other hardware behind the plate.

Install strike box, reinforcement plate, and strike plate, then tighten screws.



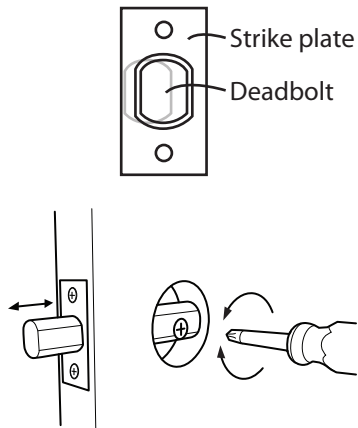
5. Install New Strike Plate

Place strike plate into door frame to check that the plate sits flush with the frame.

Make sure the deadbolt freely slides into the strike plate when the door is closed by inserting a Phillips head screwdriver into the cross-hairs, then twist to extend.

For help aligning the strike plate, please refer to the template.

Once aligned, secure the strike plate to the door with two long wood screws.



Keypad Instructions

Your administration code (Admin Code) can be found on the back of this booklet. The Admin Code can be changed by following instructions on page 11.

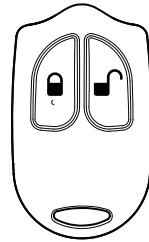


Command	Press
Add Key Code	Enter Admin Code *
1. Enter Admin Code	A - D - D - C - O - D - E - *
2. Enter "ADD CODE", press *	2 ABC 3 DEF 3 DEF 2 ABC 6 MNO 3 DEF 3 DEF *
3. Enter the new Key Code, press *	New Key Code *
4. Repeat the new Key Code, press *	Repeat New Key Code *
5. Test the new Key Code, press	Test New Key Code [Lock/Unlock]
Delete a Key Code	Enter Admin Code *
1. Enter Admin Code	D - E - L - C - O - D - E - *
2. Enter "DEL CODE", press *	3 DEF 3 DEF 5 JKL 2 ABC 6 MNO 3 DEF 3 DEF *
3. Enter the Key Code to be deleted, press *	Enter Key Code to Delete *
4. Repeat the Key Code to be deleted, press *	Repeat Key Code to Delete *
5. Test the deleted Key Code, press	Test Deleted Key Code [Lock/Unlock]
Delete all Key Codes	Enter Admin Code *
1. Enter Admin Code	D - L - C - O - D - E - S - *
2. Enter "DL CODES", press *	3 DEF 5 JKL 2 ABC 6 MNO 3 DEF 3 DEF 7 PQRS *
3. Repeat "DL CODES", press *	D - L - C - O - D - E - S - *
4. Test the deleted Key Codes, press	Test Deleted Key Code [Lock/Unlock]



Remote Control Keyfob Instructions

Your administration code (Admin Code) can be found on the back of this booklet. The Admin Code can be changed by following instructions on page 11.



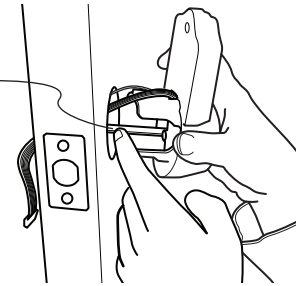
Command	Press
Add Remote Control Keyfob 1. Enter Admin Code 2. Enter "ADD FOB", press * 3. Press and hold both keyfob buttons 4. Test the keyfob	<p style="text-align: center;">↓</p> <p style="text-align: center;">↓</p>
Delete an Individual Remote Control Keyfob 1. Enter Admin Code 2. Enter "DEL FOB", press * 3. Press and hold either keyfob button 4. Test the keyfob	<p style="text-align: center;">↓</p> <p style="text-align: center;">↓</p>
Delete all Remote Control Keyfobs 1. Enter Admin Code 2. Enter "DEL FOBS", press * 3. Repeat "DEL FOBS", press * 4. Test the keyfobs to confirm	<p style="text-align: center;">↓</p> <p style="text-align: center;">↓</p> <p style="text-align: center;">↓</p>



6. Install Exterior Lock

Slide the wires above the deadbolt slide assembly.

Horizontal flat bar



Critical Point

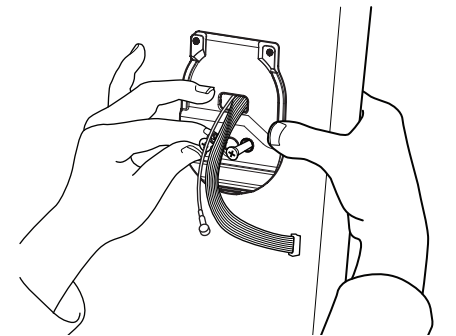
Insert the flat bar horizontally into the cross-hairs of the deadbolt slide assembly.



7. Install Interior Plate

Slide wires through wire hole of interior lock plate.

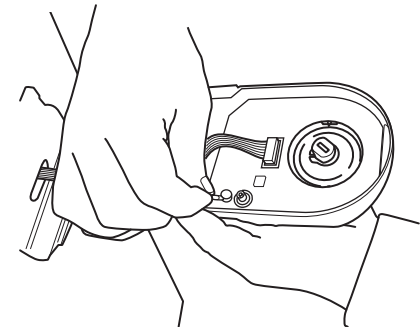
Insert two long bolts through plate, latch, and thread into external lock, securing all pieces snugly.



8. Attach Wires

Attach 12-pin connector to the top of the port on the green circuit board with the white rectangle around it.

Attach gold tip wire connector to the gold port on the green circuit board with the white circle around it.



Critical Point

Do not skip this step or the lock will not operate correctly. Confirm that the deadbolt is retracted. Note that the thumbturn at the bottom of the interior lock is in a horizontal position rotated away from the deadbolt / edge of door.



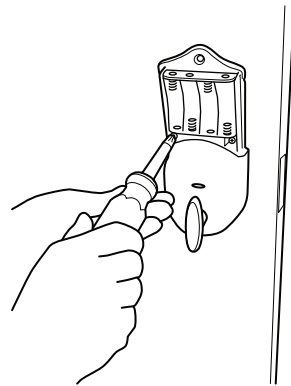
9. Install Interior Lock

Guide excess wires into cavity above the green circuit board.

Align thumbturn with crank bar to mount to interior plate.

Attach interior lock to interior plate with the two short bolts through holes under battery case.

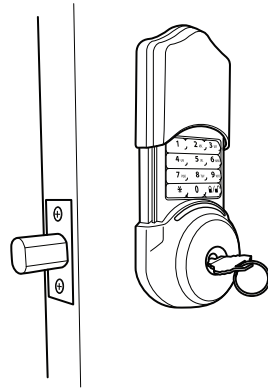
Be careful not to pinch the wires as you install the lock.



10. Test the Manual Deadbolt

Insert key into cylinder and turn to extend deadbolt to locked position. If the deadbolt will not extend, double-check that all previous steps have been completed successfully.

If the deadbolt still will not extend, call Technical Support at 1-800-785-6595.



11. Install Batteries

Install four AA batteries in the compartment on interior lock.



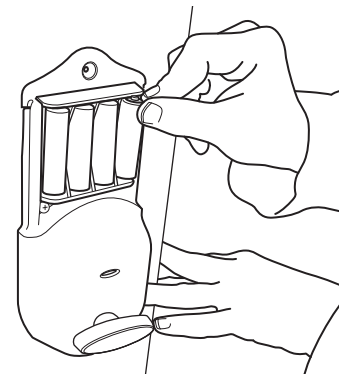
Critical Point



Make sure the door is open and the deadbolt is free to auto-configure. Do not press any buttons until lock activity stops.

Slide battery cover into place, concealing the battery compartment.

You are now ready to program SimpliciKey!



DAILY USE INSTRUCTIONS



1. Remote Control Keyfob

SimpliciKey comes factory programmed with the keyfobs included in the package. To add additional keyfobs (up to the maximum limit of 8), please see the instructions on page 8.



Press to Lock



Press to Unlock



2. Keypad Key Codes

For your security, SimpliciKey requires that you enter your own Key Codes to activate this feature. Please see the instructions on page 9 to add up to 16 Key Codes.

When Unlocked:

Enter Key Code and L/UL button (🔒/🔓) to lock



When Locked:

Enter Key Code and L/UL button (🔒/🔓) to unlock



3. Keypad Settings

For your convenience, the keypad has options for quiet operation and faster locking, with instructions on page 10.

When simple lock is ON, pressing the L/UL button (🔒/🔓) will lock the door.



When simple lock is OFF, the user will have to enter the Key Code and press the L/UL button (🔒/🔓) to lock the door as shown above in Step 2.

When quiet lock is OFF, the keypad will emit softer tones during operation.



4. Manual Key Use

SimpliciKey offers the latest bump-resistant 6-pin keyway should you choose to use a metal key for entry.