



February 19, 2018

Federal Communications Commission
Authorization and Evaluation Division
7435 Oakland Mills Road
Columbia, MD 21046

Attn: OET Dept.

Ref: FCC Class II Permissive change for FCC ID: YZP-TWFMR003D

Applicant: LG Innotek Co., Ltd.

Dear Examiner,

This is to request a Class II Permissive change for FCC ID: YZP-TWFMR003D originally granted on 08/10/2017 (date).

The change under this application is to

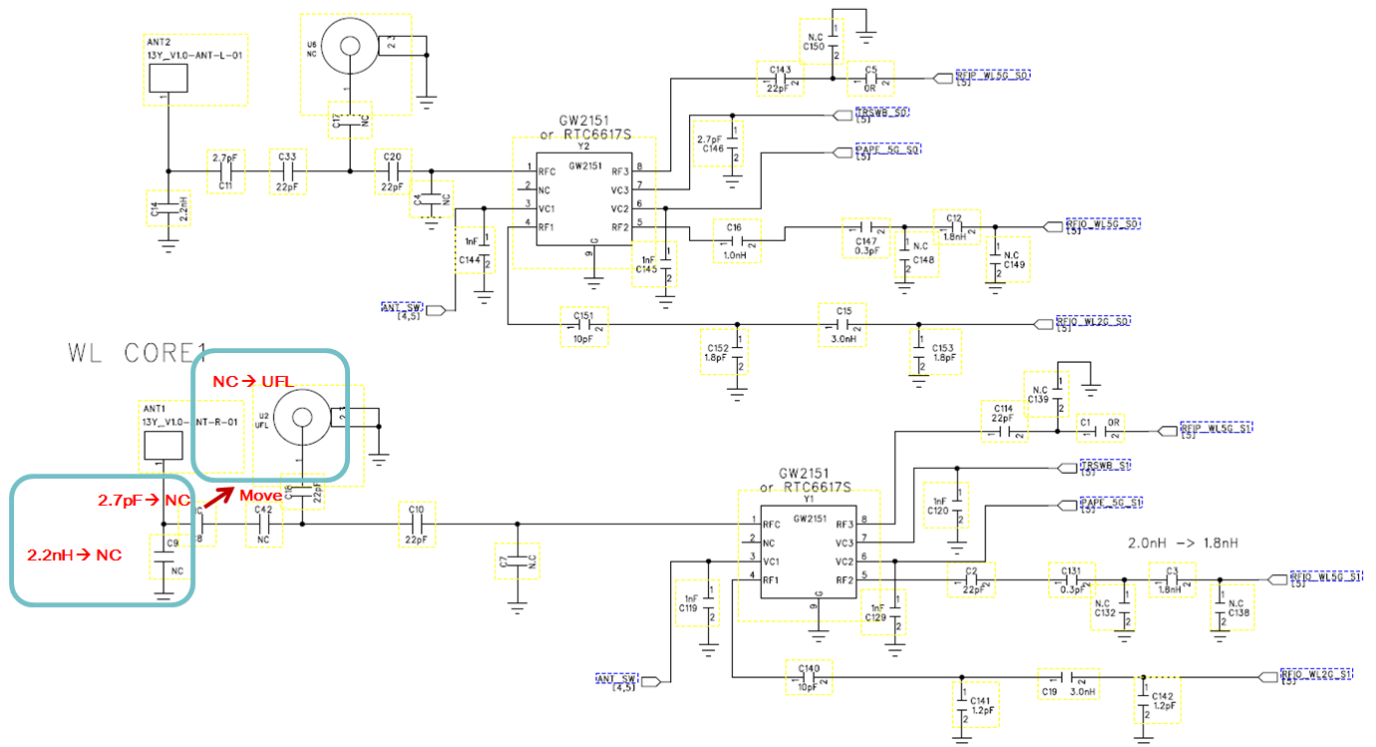
A Multiple Model has been added. [Model Name: TWFM-R003D(B)]
Please refer to next page for difference between base model and multiple model.

1. Schematic.

The changed the PCB Printed Antenna Path 1 to Ext. Antenna, used the function for PDN(Host wake up) Interface.

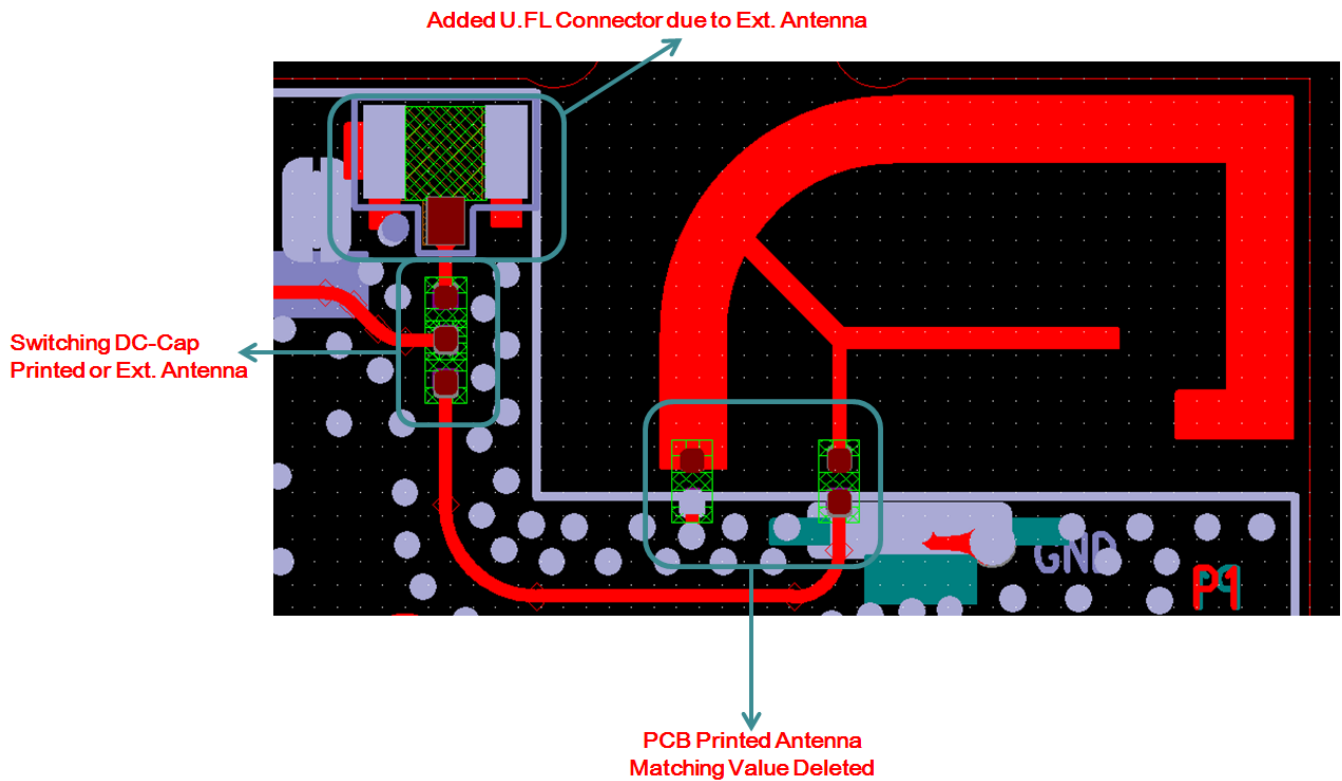
- : Deleted the Antenna Matching Value 2 Point, Move the DC Block Cap,
- Added U.FL Connector due to Ext. Antenna, Added the Resistance R6=0R (NC -> 0R)

WL CORE0 RF ports

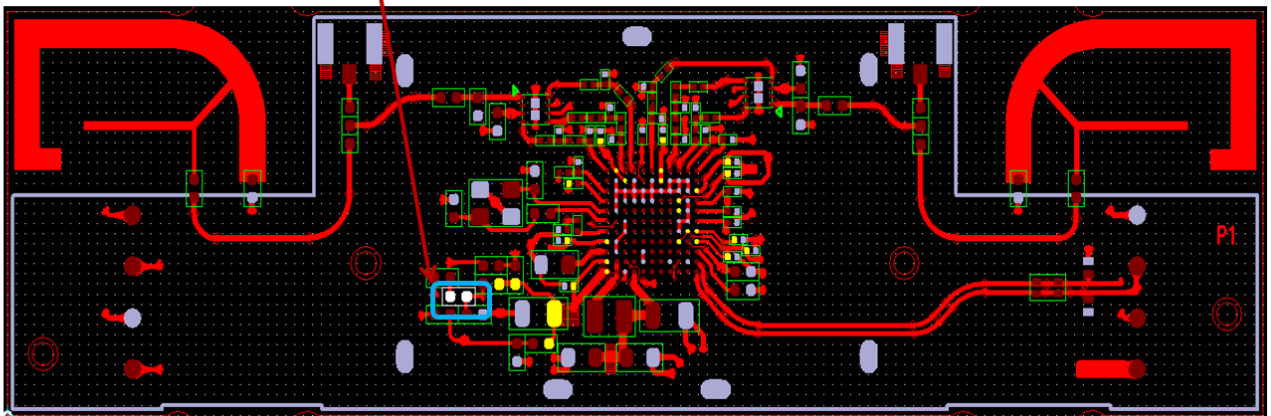
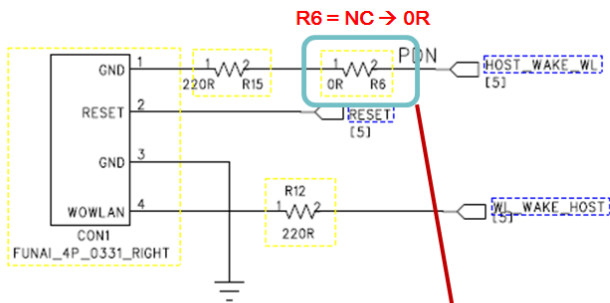


2. Added the Ext. Antenna.

- 1) No changes to the PCB Pattern and Silk.
- 2) Deleted the Antenna Matching Value 2 Point.
- 3) Added U.FL Connector due to Ext. Antenna.
- 4) Changing the location of parts due to Antenna path changes.



3. Used the function for PDN(Host wake up) Interface.



4. TWFM-R003D [Base model] & TWFM-R003D(B) [Multiple model]

1. TWFM-R003D



2. TWFM-R003D(B)



I attest that the certified device will not be capable of ad-hoc mode operation outside of the grant conditions.

Sincerely,



Name: Inchang Jeong
Title: Senior Research Engineer

Date: February 19, 2018