

TEST REPORT

of

FCC Part 2 Subpart J and Part 27 Subpart C

FCC ID: YZP-GN1000

Equipment Under Test : Telematics Module

Model Name : LTD-GN1000

Variant Model Name(s) : -

Applicant : LG Innotek Co., Ltd.

Manufacturer : LG Innotek Co., Ltd.

Date of Receipt : 2024.01.25

Date of Test(s) : 2024.02.16 ~ 2023.06.25

Date of Issue : 2024.06.28

In the configuration tested, the EUT complied with the standards specified above. This test report does not assure KOLAS accreditation.

- 1) The results of this test report are effective only to the items tested.
- 2) The SGS Korea is not responsible for the sampling, the results of this test report apply to the sample as received.
- 3) This test report cannot be reproduced, except in full, without prior written permission of the Company.
- 4) The data marked ※ in this report was provided by the customer and may affect the validity of the test results.

We are responsible for all the information of this test report except for the data(※) provided by the customer.

Tested by:



Dave Kim

Technical
Manager:



Jinhyoung Cho

SGS Korea Co., Ltd. Gunpo Laboratory

INDEX

<u>Table of Contents</u>	Page
1. General Information	3
2. E.R.P. / E.I.R.P. & Radiated Spurious Emissions	14
3. Conducted Output Power	26
4. Occupied Bandwidth	48
5. Peak-Average Ratio	77
6. Spurious Emissions at Antenna Terminal	108
7. Band Edge and Emission Mask	116
8. Frequency Stability	226

1. General Information

1.1. Testing Laboratory

SGS Korea Co., Ltd. (Gunpo Laboratory)
 - 10-2, LS-ro 182beon-gil, Gunpo-si, Gyeonggi-do, Korea, 15807
 - 4, LS-ro 182beon-gil, Gunpo-si, Gyeonggi-do, Korea, 15807
 - Designation number: KR0150

All SGS services are rendered in accordance with the applicable SGS conditions of service available on request and accessible at <http://www.sgs.com/en/Terms-and-Conditions.aspx>.

Phone No. : +82 31 688 0901

Fax No. : +82 31 688 0921

1.2. Details of Applicant

Applicant : LG Innotek Co., Ltd.
 Address : 30 Magokjungang 10-ro, Gangseo-gu, seoul, Republic Of Korea, 07996
 Contact Person : Jeong, In-chang
 Phone No. : +82 10 2326 9972

1.3. Details of Manufacturer

Company : Same as applicant
 Address : Same as applicant
 Factory1 : PT. LG INNOTEK INDONESIA
 Factory1 Adress : Bekasi International Industrial Estate, Blok C8 No. 12 & 12A, Desa Cibat, Cikarang Selatan, Bekasi 17750, Jawa Barat - Indonesia
 Factory2 : LG Innotek Co., Ltd.
 Factory2 Adress : 26, Hanamsandan 5beon-ro, Gwangsan-gu, Gwangju, Republic of Korea, 62229

1.4. Description of EUT

Kind of Product	Telematics Module
Model Name	LTD-GN1000
Serial Number	Conducted: C1 Radiated: R1
Power Supply	DC 4.00 V
Rated Power	NR Band 41, 77 ,78: 23 dB m
Frequency Range	NR Band 41: 2 496 MHz ~ 2 690 MHz NR Band 77: 3 450 MHz ~ 3 550 MHz NR Band 77: 3 700 MHz ~ 3 980 MHz NR Band 78: 3 450 MHz ~ 3 550 MHz NR Band 78: 3 700 MHz ~ 3 800 MHz
Modulation Technique	BPSK, QPSK, 16QAM, 64QAM, 256QAM
Antenna Type	Dipole Antenna
Antenna Gain*	Refer to the clause 1.13
H/W Version	A.4
S/W Version	01L_TCM

1.5. Test Equipment List

Equipment	Manufacturer	Model	S/N	Cal. Date	Cal. Interval	Cal. Due
Spectrum Analyzer	R&S	FSV30	100955	Mar. 08, 2024	Annual	Mar. 08, 2025
Spectrum Analyzer	R&S	FSW43	100637	Apr. 08, 2024	Annual	Apr. 08, 2025
Spectrum Analyzer	Agilent	N9020A	MY53421758	Sep. 01, 2023	Annual	Sep. 01, 2024
Signal Generator	R&S	SMA100B	106887	Oct. 06, 2023	Annual	Oct. 06, 2024
DC Power Supply	R&S	HMP2020	102133	Apr. 23, 2024	Annual	Apr. 23, 2025
Communication	Anritsu	MT8000A	6261867312	Apr. 08, 2024	Annual	Apr. 08, 2025
Communication	Anritsu	MT8821C	6262192291	Feb. 08, 2024	Annual	Feb. 08, 2025
Temperature Chamber	ESPEC CORP.	PL-2J	15004184	Jun. 03, 2024	Annual	Jun. 03, 2025
BRIDGE COUPLER	MARKI MICROWAVE INC	CBR16-0012	1542	May 13, 2024	Annual	May 13, 2025
Directional Coupler	KRYTAR	152613	140972	Jul. 04, 2023	Annual	Jul. 04, 2024
Power Splitter	Weinschel	1534	500	May 23, 2024	Annual	May 23, 2025
Power Sensor	Anritsu	MA2411B	1207272	May 29, 2024	Annual	May 29, 2025
Power Sensor	Anritsu	ML2495A	1223004	May 29, 2024	Annual	May 29, 2025
Low Pass Filter	Mini-Circuits	NLP-1200+	V 8979400903-1	May 17, 2024	Annual	May 17, 2025
High Pass Filter	Wainwright Instrument GmbH	WHKX10-900-1000-18000-40SS	7	Feb. 27, 2024	Annual	Feb. 27, 2025
High Pass Filter	Wainwright Instrument GmbH	WHKX3.0/18G-6SS	21	Jun. 07, 2024	Annual	Jun. 07, 2025
High Pass Filter	Wainwright Instrument GmbH	WHNX7.5/26.5G-6SS	11	Oct. 17, 2023	Annual	Oct. 17, 2024
High Pass Filter	Wainwright Instrument GmbH	WLKX10-3555-4500-26500-40CD	1	Nov. 03, 2023	Annual	Nov. 03, 2024
Preamplifier	H.P.	8447F	2944A03909	Aug. 04, 2023	Annual	Aug. 04, 2024
Preamplifier	R&S	SCU 18F	101058	Dec. 07, 2023	Annual	Dec. 07, 2024
Preamplifier	MITEQ Inc.	JS44-18004000-35-8P	1546891	Oct. 06, 2023	Annual	Oct. 06, 2024
Test Receiver	R&S	ESU26	100109	Jan. 16, 2024	Annual	Jan. 16, 2025
Loop Antenna	Schwarzbeck Mess-Elektronik	FMZB 1519	1519-039	Aug. 21, 2023	Biennial	Aug. 21, 2025
Bilog Antenna	Schwarzbeck Mess-Elektronik	VULB9163	9163-437	May 29, 2024	Annual	May 29, 2025
Horn Antenna	R&S	HF906	100326	Feb. 19, 2024	Annual	Feb. 19, 2025
Horn Antenna	Schwarzbeck Mess-Elektronik	BBHA 9170	9170-540	Dec. 05, 2023	Annual	Dec. 05, 2024
Antenna Master	Innco systems GmbH	MA4640-XP-ET	MA4640/536/383	N.C.R.	N/A	N.C.R.
Turn Table	Innco systems GmbH	DS 1200S	N/A	N.C.R.	N/A	N.C.R.
Controller	Innco systems GmbH	CONTROLLER CO3000-4P	CO3000/963/383 30516/L	N.C.R.	N/A	N.C.R.
Anechoic Chamber	SY Corporation	L x W x H (9.6 m x 6.4 m x 6.6 m)	N/A	N.C.R.	N/A	N.C.R.
Coaxial Cable	RADIALL	TESTPRO 3	182287	Apr. 12, 2024	Semi-Annual	Oct. 12, 2024
Coaxial Cable	RADIALL	TESTPRO 3	182288	Apr. 12, 2024	Semi-Annual	Oct. 12, 2024
Coaxial Cable	RADIALL	TESTPRO 3	182291	Apr. 12, 2024	Semi-Annual	Oct. 12, 2024
Coaxial Cable	SENSORVIEW	NMST-13A26-NMST-5 m	TPC2402190004	Apr. 03, 2024	Semi-Annual	Oct. 03, 2024
Coaxial Cable	SENSORVIEW	NMST-13A26-NMST-10 m	TPC2402190001	Apr. 03, 2024	Semi-Annual	Oct. 03, 2024

Note;

- For equipment listed above that has a calibration date or calibration due date that falls within the test date range, care was taken to ensure that this equipment was used after the calibration date and before the calibration due date.

1.6. Summary of Test Results

The EUT has been tested according to the following specifications:

APPLIED STANDARD: FCC Part 2 and 27		
Section(s) in FCC	Test Item	Result
§2.1046 §27.50(h)(2) §27.50(j)(3) §27.50(k)(3)	E.R.P. / E.I.R.P.	Complied
§27.53(l)(2) §27.53(m)(4) §27.53(n)(2)	Radiated Spurious Emission	Complied
§2.1046	Conducted Output Power	Complied
§2.1049	Occupied Bandwidth	Complied
§27.50(d)(5) §27.50(j)(4) §27.50(k)(4)	Peak-Average Ratio	Complied
§27.53(l)(2) §27.53(m)(4) §27.53(n)(2)	Spurious Emission at Antenna Terminal	Complied
§27.53(l)(2) §27.53(m)(4) §27.53(n)(2)	Band Edge	Complied
§2.1055 §27.54	Frequency Stability	Complied

1.7. Sample Calculation for Offset

Where relevant, the following sample calculation is provided:

1.7.1. Conducted Test

Offset value (dB) = Directional Coupler (dB) + Cable loss (dB)

1.7.2. Radiation test

- E.I.R.P. (dB m) = Measured level (dB μ V) + Antenna factor (dB/m) + Cable loss (dB) + 20 Log D - 104.8;
 where D is the measurement distance in meters.
- E.R.P. (dB m) = E.I.R.P. (dB m) - 2.15 (dB)

1.8. ENDC Configuration

NR Band	SCS (kHz)	Bandwidth (MHz)	Waveform	Modulation	ENDC LTE Band
n41	30	20, 30, 40, 50, 60, 70, 80, 90, 100	DFT-S OFDM, CP OFDM	BPSK, QPSK, 16QAM, 64QAM, 256QAM	26
n77	30	20, 30, 40, 50, 60, 70, 80, 90, 100			2, 5, 13, 41, 66
n78	30	20, 30, 40, 50, 60, 70, 80, 90, 100			2, 5, 7, 12, 26, 41, 66

1.9. Worst Case Configuration and Mode

The worst-case is based on the conducted output power measurement investigation results. All testing was performed using BPSK, QPSK, 16QAM, 64QAM and 256QAM modulations. If both SA and NSA were supported, SA was tested as worst case and NSA was tested only radiated spurious emission for worst conducted output power combination.

On ENDC mode, only radiated spurious emission were tested as worst case for worst conducted output power combination.

However, the spurious radiated emission and spurious at antenna terminal were only performed on bandwidth and RB offset (with RB size 1) with the highest conducted power.

The peak to average ratio were tested only 256QAM modulation as worst case.

The radiation test of the EUT was investigated in three orthogonal orientations X, Y, and Z, and the worst case data is reported.



1.10. Measurement Configuration

Test Items	Band	Test Channel			Bandwidth (MHz)																Modulation DFT-S-OFDM					Modulation CP-OFDM			RB #		
		Low	Mid	High	5	10	15	20	25	30	40	50	60	70	80	90	100	BPSK	QPSK	16QAM	64QAM	256QAM	QPSK	16QAM	64QAM	256QAM	1	Half	Full		
Conducted Output Power	n41	V	V	V				V		V	V	V	V	V	V	V	V	V	V	V	V	V	V	V	-	-	V	V	V		
	n77	V	V	V				V		V	V	V	V	V	V	V	V	V	V	V	V	V	V	V	-	-	V	V	V		
	n78	V	V	V				V		V	V	V	V	V	V	V	V	V	V	V	V	V	V	V	-	-	V	V	V		
Frequency Stability	n41	-	V	-				V		-	-	-	-	-	-	-	-	V	-	-	-	-	-	-	-	-	-	-	V		
	n77	-	V	-				V		-	-	-	-	-	-	-	-	V	-	-	-	-	-	-	-	-	-	-	V		
	n78	-	V	-				V		-	-	-	-	-	-	-	-	V	-	-	-	-	-	-	-	-	-	-	V		
Occupied Bandwidth	n41	-	V	-				V		V	V	V	V	V	V	V	V	V	V	V	-	-	V	V	-	-	-	-	V		
	n77	-	V	-				V		V	V	V	V	V	V	V	V	V	V	V	-	-	V	V	-	-	-	-	V		
	n78	-	V	-				V		V	V	V	V	V	V	V	V	V	V	V	-	-	V	V	-	-	-	-	V		
Peak-to-Average Ratio	n41	V	V	V				V		V	V	V	V	V	V	V	V	-	-	-	-	V	-	-	-	V	-	-	V		
	n77	V	V	V				V		V	V	V	V	V	V	V	V	-	-	-	-	V	-	-	-	V	-	-	V		
	n78	V	V	V				V		V	V	V	V	V	V	V	V	-	-	-	-	V	-	-	-	V	-	-	V		
Band edge	n41	V	-	V				V		V	V	V	V	V	V	V	V	-	V	-	-	V	V	-	-	V	-	-	V		
	n77	V	-	V				V		V	V	V	V	V	V	V	V	-	V	-	-	V	V	-	-	V	-	-	V		
	n78	V	-	V				V		V	V	V	V	V	V	V	V	-	V	-	-	V	V	-	-	V	-	-	V		
Spurious at antenna terminal & Radiated Spurious Emissions	n41	V	V	V	Worst case																										
	n77	V	V	V	Worst case																										
	n78	V	V	V	Worst case																										

ENDC

Test Items	Band	Test Channel			Bandwidth (MHz)																Modulation DFT-S-OFDM					Modulation CP-OFDM			RB #		
		Low	Mid	High	5	10	15	20	25	30	40	50	60	70	80	90	100	BPSK	QPSK	16QAM	64QAM	256QAM	QPSK	16QAM	64QAM	256QAM	1	Half	Full		
Conducted Output Power	n41	V	V	V				V		V	V	V	V	V	V	V	V	V	V	-	-	-	-	-	-	-	V	-	-		
	n77	V	V	V				V		V	V	V	V	V	V	V	V	V	V	-	-	-	-	-	-	-	V	-	-		
	n78	V	V	V				V		V	V	V	V	V	V	V	V	V	V	-	-	-	-	-	-	-	V	-	-		
Spurious Radiated Emission	n41	V	V	V	Worst case																										
	n77	V	V	V	Worst case																										
	n78	V	V	V	Worst case																										

Note;

- All measurement was performed with 1RB or FULL RB or both, we chosen RB condition for each test items as worst case.

Radiated Emission Test

NR Band	SCS (kHz)	Bandwidth (MHz)	Modulation	Resource Block Allocation
				RBs allocated
n41	30	30	DFT-S OFDM - BPSK	1
n77/78 Low Band	30	20	DFT-S OFDM - BPSK	1
n77/78 High Band	30	20	DFT-S OFDM - BPSK	1

ENDC

NR Band	SCS (kHz)	Bandwidth (MHz)	Modulation	Resource Block Allocation
				RBs allocated
26A-n41A	30	15-30	DFT-S OFDM - BPSK	1
5A-n77A Low Band	30	10-20	DFT-S OFDM - BPSK	1
5A-n77A High Band	30	10-20	DFT-S OFDM - BPSK	1
5A-n78A Low Band	30	10-20	DFT-S OFDM - BPSK	1
5A-n78A High Band	30	10-20	DFT-S OFDM - BPSK	1

1.11. Measurement Uncertainty

Where relevant, the following measurement uncertainty levels have been estimated for tests performed on the apparatus:

Parameter	Uncertainty	
RF Output Power	0.33 dB	
Occupied Bandwidth	0.05 MHz	
Conducted Spurious Emissions	0.99 dB	
Peak to Average Ratio	0.66 dB	
Frequency Stability	116 Hz	
Radiated Emission, 9 kHz to 30 MHz	H	3.60 dB
	V	3.60 dB
Radiated Emission, below 1 GHz	H	4.60 dB
	V	4.90 dB
Radiated Emission, above 1 GHz	H	3.90 dB
	V	3.80 dB

All measurement uncertainty values are shown with a coverage factor of $k=2$ to indicate a 95 % level of confidence.

1.12. Test Report Revision

Revision	Report Number	Date of Issue	Description
0	F690501-RF-RTL005201	2024.06.28	Initial

1.13. Antenna Information

Ant. Type	Ant. No	Support Band	
		LTE	NR
Dipole Antenna	Ant. 1	2, 4, 5, 7, 12, 13, 14, 17, 25, 26, 41, 66, 71	2, 5, 7, 12, 13, 14, 25, 26, 41, 66, 71
	Ant. 2		77, 78

Band	Operating Frequency (MHz)	Antenna Peak Gain (dB i)	
		Ant. 1	Ant. 2
LTE 25/2 NR 25/2	1 850 ~ 1 915	1.90	
LTE 66/4 NR 66	1 710 ~ 1 780	4.20	
LTE 26/5 NR 26/5	824 ~ 849	1.99	
LTE 26 NR 26	814 ~ 824	0.72	
LTE 7 NR 7	2 500 ~ 2 570	4.43	
LTE 12/17 NR 12	699 ~ 716	3.02	
LTE 13 NR 13	777 ~ 787	1.01	
LTE 14 NR 14	788 ~ 798	2.53	
LTE 71 NR 71	663 ~ 698	-0.17	
LTE 41 NR 41	2 496 ~ 2 690	4.43	
NR 77	3 450 ~ 3 550		4.69
	3 700 ~ 3 980		4.90
NR 78	3 450 ~ 3 550		4.69
	3 700 ~ 3 800		4.90

1.14. Emission Designator and Max Power

NR Band	Band width (MHz)	Modulation		Low Freq. (MHz)	Upper Freq. (MHz)	Conducted Average (dB m)	Ant. Gain (dB i)	E.I.R.P. Average (dB m)	E.I.R.P. Average (W)	Emission Designator
n41	20	DFT-S OFDM	BPSK	2 506.02	2 679.99	23.63	4.43	28.06	0.640	17M9G7D
			QPSK			23.55		27.98	0.628	17M9G7D
			16QAM			22.37		26.80	0.479	17M9D7D
		CP OFDM	QPSK			22.11		26.54	0.451	18M2G7D
			16QAM			21.25		25.68	0.370	18M3D7D
			16QAM			22.76		28.24	0.667	26M8G7D
	30	DFT-S OFDM	BPSK	2 511.00	2 674.98	23.81		28.07	0.641	26M9G7D
			QPSK			23.64		27.19	0.524	26M9D7D
			16QAM			22.58		27.01	0.502	27M5G7D
		CP OFDM	QPSK			21.74		26.17	0.414	27M5D7D
			16QAM			23.74		28.17	0.656	35M9G7D
			16QAM			23.62		28.05	0.638	35M8G7D
	40	DFT-S OFDM	BPSK	2 516.01	2 670.00	22.72		27.15	0.519	35M8D7D
			QPSK			22.51		26.94	0.494	38M0G7D
			16QAM			21.65		26.08	0.406	38M0D7D
		CP OFDM	QPSK			23.66		28.09	0.644	45M8G7D
			16QAM			23.56		27.99	0.630	45M8G7D
			16QAM			22.41		26.84	0.483	45M8D7D
	50	DFT-S OFDM	BPSK	2 521.02	2 664.99	22.35		26.78	0.476	47M6G7D
			QPSK			21.42		25.85	0.385	47M6D7D
			16QAM			23.41		27.84	0.608	57M9G7D
		CP OFDM	QPSK			23.37		27.80	0.603	57M8G7D
			16QAM			22.24		26.67	0.465	58M0D7D
			16QAM			22.03		26.46	0.443	58M1G7D
	60	DFT-S OFDM	BPSK	2 526.00	2 659.98	21.39		25.82	0.382	58M0D7D
			QPSK			23.50		27.93	0.621	64M3G7D
			16QAM			23.43		27.86	0.611	64M3G7D
		CP OFDM	QPSK			22.34		26.77	0.475	64M3D7D
			16QAM			22.09		26.52	0.449	67M4G7D
			16QAM			21.50		25.93	0.392	67M6D7D
	70	DFT-S OFDM	BPSK	2 531.01	2 655.00	23.63		28.06	0.640	77M2G7D
			QPSK			23.48		27.91	0.618	77M0G7D
			16QAM			22.12		26.55	0.452	77M2D7D
		CP OFDM	QPSK			21.95		26.38	0.435	77M7G7D
			16QAM			21.47		25.90	0.389	77M7D7D
			16QAM			23.67		28.10	0.646	86M7G7D
	80	DFT-S OFDM	BPSK	2 536.02	2 649.99	23.57		28.00	0.631	86M9G7D
			QPSK			22.52		26.95	0.495	86M9D7D
			16QAM			22.43		26.86	0.485	87M4G7D
		CP OFDM	QPSK			21.93		26.36	0.433	87M6D7D
			16QAM			23.74		28.17	0.656	96M5G7D
			16QAM			23.71		28.14	0.652	96M5G7D
	90	DFT-S OFDM	BPSK	2 541.00	2 644.98	22.54		26.97	0.498	96M5D7D
			QPSK			22.32		26.75	0.473	97M5G7D
			16QAM			21.75		26.18	0.415	97M5D7D
		CP OFDM	QPSK			23.74		28.17	0.656	96M5G7D
			16QAM			23.71		28.14	0.652	96M5G7D
			16QAM			22.54		26.97	0.498	96M5D7D
100	DFT-S OFDM	BPSK	2 546.01	2 640.00	22.32	26.75	0.473	97M5G7D		
		QPSK			21.75	26.18	0.415	97M5D7D		
		16QAM			23.74	28.17	0.656	96M5G7D		
	CP OFDM	QPSK			23.71	28.14	0.652	96M5G7D		
		16QAM			22.54	26.97	0.498	96M5D7D		
		16QAM			21.75	26.18	0.415	97M5D7D		

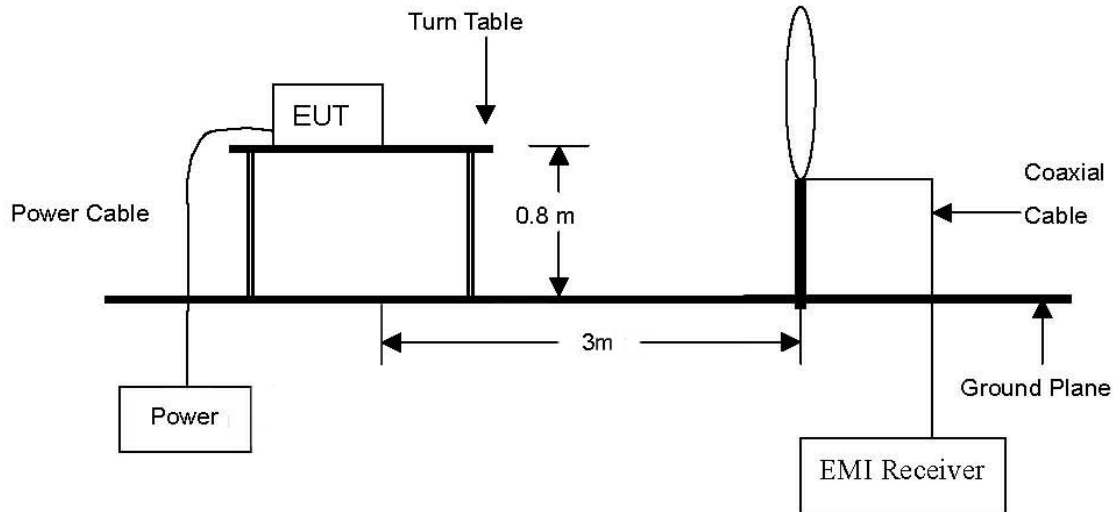
NR Band	Band width (MHz)	Modulation		Low Freq. (MHz)	Upper Freq. (MHz)	Conducted Average (dB m)	Ant. Gain (dB i)	E.I.R.P. Average (dB m)	E.I.R.P. Average (W)	Emission Designator
n77/78 Low Band	20	DFT-S OFDM	BPSK	3 460.02	3 540.00	23.78	4.69	28.47	0.703	17M9G7D
			QPSK			23.52		28.21	0.662	17M9G7D
			16QAM			22.49		27.18	0.522	17M9D7D
		CP OFDM	QPSK			21.98		26.67	0.465	18M2G7D
			16QAM			21.55		26.24	0.421	18M2D7D
			30			DFT-S OFDM		BPSK	3 465.00	3 534.99
	QPSK	23.68		28.37	0.687			26M9G7D		
	16QAM	22.68		27.37	0.546			26M9D7D		
	CP OFDM	QPSK		22.22	26.91	0.491		27M6G7D		
		16QAM		21.73	26.42	0.439		27M5D7D		
		40		DFT-S OFDM	BPSK	3 470.01		3 529.98		
	QPSK		23.63		28.32				0.679	35M7G7D
	16QAM		22.55		27.24				0.530	35M8D7D
	CP OFDM		QPSK	22.05	26.74				0.472	38M0G7D
			16QAM	21.61	26.30				0.427	38M0D7D
			50	DFT-S OFDM	BPSK				3 475.02	3 525.00
	QPSK	23.74			28.43	0.697		45M8G7D		
	16QAM	22.62			27.31	0.538		45M8D7D		
	CP OFDM	QPSK		22.13	26.82	0.481		47M5G7D		
		16QAM		21.72	26.41	0.438		47M6D7D		
		60		DFT-S OFDM	BPSK	3 480.00		3 519.99		
	QPSK		23.57		28.26				0.670	58M0G7D
	16QAM		22.52		27.21				0.526	58M1D7D
	CP OFDM		QPSK	21.99	26.68				0.466	58M0G7D
			16QAM	21.70	26.39				0.436	58M0D7D
			70	DFT-S OFDM	BPSK				3 485.01	3 514.98
	QPSK	23.66			28.35	0.684		64M3G7D		
	16QAM	22.64			27.33	0.541		64M5D7D		
	CP OFDM	QPSK		22.09	26.78	0.476		67M7G7D		
		16QAM		21.60	26.29	0.426		67M7D7D		
		80		DFT-S OFDM	BPSK	3 490.02		3 510.00		
	QPSK		23.64		28.33				0.681	77M0G7D
	16QAM		22.63		27.32				0.540	77M2D7D
	CP OFDM		QPSK	22.08	26.77				0.475	77M7G7D
			16QAM	21.66	26.35				0.432	77M7D7D
			90	DFT-S OFDM	BPSK				3 495.00	3 504.99
	QPSK	23.66			28.35	0.684		86M7G7D		
	16QAM	22.80			27.49	0.561		86M9D7D		
	CP OFDM	QPSK		22.14	26.83	0.482		87M6G7D		
		16QAM		21.87	26.56	0.453		87M6D7D		
		100		DFT-S OFDM	BPSK	3 500.01		3 500.01		
	QPSK		23.76		28.45				0.700	96M5G7D
	16QAM		22.73		27.42				0.552	96M3D7D
	CP OFDM		QPSK	22.19	26.88				0.488	96M5G7D
			16QAM	21.76	26.45				0.442	97M7D7D

NR Band	Band width (MHz)	Modulation		Low Freq. (MHz)	Upper Freq. (MHz)	Conducted Average (dB m)	Ant. Gain (dB i)	E.I.R.P. Average (dB m)	E.I.R.P. Average (W)	Emission Designator
n77/78 High Band	20	DFT-S OFDM	BPSK	3 710.01	3 969.99	23.69	4.90	28.59	0.723	17M9G7D
			QPSK			23.36		28.26	0.670	17M9G7D
			16QAM			22.28		27.18	0.522	17M9D7D
		CP OFDM	QPSK			21.93		26.83	0.482	18M3G7D
			16QAM			21.51		26.41	0.438	18M2D7D
			30			DFT-S OFDM		BPSK	3 715.02	3 964.98
	QPSK	23.62		28.52	0.711			26M9G7D		
	16QAM	22.45		27.35	0.543			26M8D7D		
	CP OFDM	QPSK		22.01	26.91	0.491		27M6G7D		
		16QAM		21.58	26.48	0.445		27M5D7D		
		40		DFT-S OFDM	BPSK	3 720.00		3 960.00		
	QPSK		23.48		28.38				0.689	35M8G7D
	16QAM		22.50		27.40				0.550	35M8D7D
	CP OFDM		QPSK	21.97	26.87				0.486	37M8G7D
			16QAM	21.51	26.41				0.438	38M0D7D
			50	DFT-S OFDM	BPSK				3 725.01	3 954.99
	QPSK	23.46			28.36	0.685		45M8G7D		
	16QAM	22.44			27.34	0.542		45M7D7D		
	CP OFDM	QPSK		21.96	26.86	0.485		47M5G7D		
		16QAM		21.54	26.44	0.441		47M5D7D		
		60		DFT-S OFDM	BPSK	3 730.02		3 949.98		
	QPSK		23.35		28.25				0.668	58M0G7D
	16QAM		22.42		27.32				0.540	58M0D7D
	CP OFDM		QPSK	21.90	26.80				0.479	57M9G7D
			16QAM	21.58	26.48				0.445	58M0D7D
			70	DFT-S OFDM	BPSK				3 735.00	3 945.00
	QPSK	23.52			28.42	0.695		64M3G7D		
	16QAM	22.45			27.35	0.543		64M5D7D		
	CP OFDM	QPSK		21.96	26.86	0.485		67M7G7D		
		16QAM		21.49	26.39	0.436		67M7D7D		
		80		DFT-S OFDM	BPSK	3 740.01		3 939.99		
	QPSK		23.42		28.32				0.679	77M2G7D
	16QAM		22.50		27.40				0.550	77M0D7D
	CP OFDM		QPSK	22.03	26.93				0.493	77M5G7D
			16QAM	21.58	26.48				0.445	77M7D7D
			90	DFT-S OFDM	BPSK				3 745.02	3 934.98
	QPSK	23.53			28.43	0.697		86M7G7D		
	16QAM	22.48			27.38	0.547		87M0D7D		
	CP OFDM	QPSK		22.00	26.90	0.490		87M8G7D		
		16QAM		21.69	26.59	0.456		87M6D7D		
		100		DFT-S OFDM	BPSK	3 750.00		3 930.00		
	QPSK		23.57		28.47				0.703	96M5G7D
	16QAM		22.61		27.51				0.564	96M3D7D
	CP OFDM		QPSK	22.16	27.06				0.508	97M7G7D
			16QAM	21.73	26.63				0.460	97M7D7D

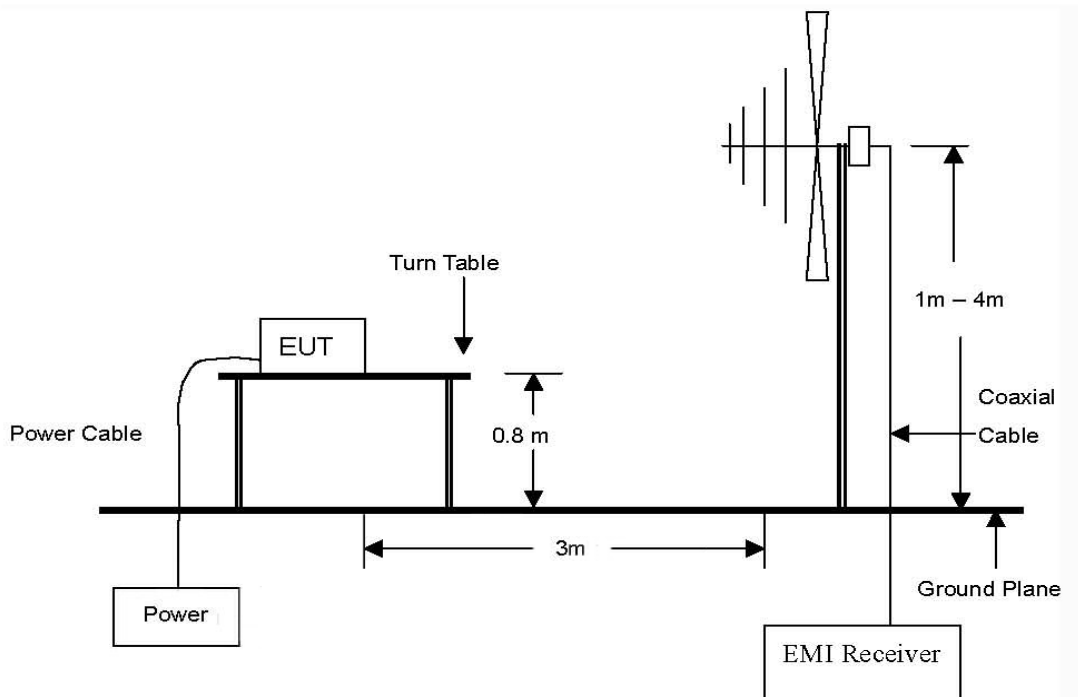
2. E.R.P. / E.I.R.P. & Radiated Spurious Emissions

2.1. Test setup

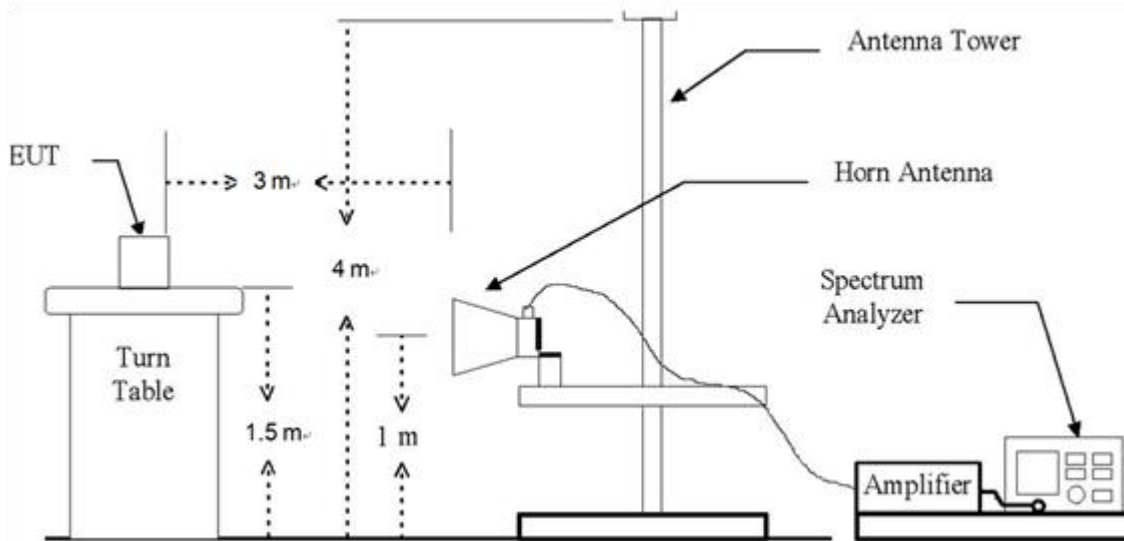
The diagram below shows the test setup that is utilized to make the measurements for emission from 9 kHz to 30 MHz.



The diagram below shows the test setup that is utilized to make the measurements for emission from 30 MHz to 1 GHz Emissions.



The diagram below shows the test setup that is utilized to make the measurements for emission from 1 GHz to 40 GHz Emissions.



2.2. Limit

2.2.1. Limit of E.R.P. / E.I.R.P.

- §27.50(h)(2), Mobile and other user stations. Mobile stations are limited to 2.0 watts EIRP. All user stations are limited to 2.0 watts transmitter output power.
- §27.50(j)(3), Mobile and portable stations are limited to 1 Watt EIRP. Mobile and portable stations operating in these bands must employ a means for limiting power to the minimum necessary for successful communications.
- §27.50(k)(3), Mobile devices are limited to 1Watt (30 dBm) EIRP. Mobile devices operating in these bands must employ a means for limiting power to the minimum necessary for successful communications.

2.2.2. Limit of Radiated Spurious Emissions

- §27.53(l)(2), for mobile operations in the 3 700-3 980 MHz band, the conducted power of any emission outside the licensee's authorized bandwidth shall not exceed -13 dBm /MHz. Compliance with this paragraph (l)(2) is based on the use of measurement instrumentation employing a resolution bandwidth of 1 megahertz or greater. However, in the 1 megahertz bands immediately outside and adjacent to the licensee's frequency block, the minimum resolution bandwidth for the measurement shall be either one percent of the emission bandwidth of the fundamental emission of the transmitter or 350 kHz. In the bands between 1 and 5 MHz removed from the licensee's frequency block, the minimum resolution bandwidth for the measurement shall be 500 kHz. The emission bandwidth is defined as the width of the signal between two points, one below the carrier center frequency and one above the carrier center frequency, outside of which all emissions are attenuated at least 26 dB below the transmitter power.

- §27.53(m)(4), for mobile digital stations, the attenuation factor shall be not less than $40 + 10 \log_{10} (P)$ dB on all frequencies between the channel edge and 5 megahertz from the channel edge, $43 + 10 \log_{10} (P)$ dB on all frequencies between 5 megahertz and X megahertz from the channel edge, and $55 + 10 \log_{10} (P)$ dB on all frequencies more than X megahertz from the channel edge, where X is the greater of 6 megahertz or the actual emission bandwidth as defined in paragraph (m)(6) of this section. In addition, the attenuation factor shall not be less than $43 + 10 \log_{10} (P)$ dB on all frequencies between 2 490.5 MHz and 2 496 MHz and $55 + 10 \log_{10} (P)$ dB at or below 2 490.5 MHz. Mobile Satellite Service licensees operating on frequencies below 2 495 MHz may also submit a documented interference complaint against BRS licensees operating on channel BRS Channel 1 on the same terms and conditions as adjacent channel BRS or EBS licensees.

- §27.53(n)(2), for mobile operations in the 3 450-3 550 MHz band, the conducted power of any emission outside the licensee's authorized bandwidth shall not exceed -13 dBm /MHz. Compliance with this paragraph (n)(2) is based on the use of measurement instrumentation employing a resolution bandwidth of 1 megahertz or greater. However, in the 1 megahertz bands immediately outside and adjacent to the licensee's frequency block, a resolution bandwidth of at least one percent of the emission bandwidth of the fundamental emission of the transmitter may be employed, but limited to a maximum of 200 kHz. In the bands between 1 and 5 MHz removed from the licensee's frequency block, the minimum resolution bandwidth for the measurement shall be 500 kHz. The emission bandwidth is defined as the width of the signal between two points, one below the carrier center frequency and one above the carrier center frequency, outside of which all emissions are attenuated at least 26 dB below the transmitter power.

2.3. Test Procedure

2.3.1. E.R.P. or E.I.R.P. from conducted RF output power

According to subclause 5.2.5.5 of ANSI C63.26-2015 E.R.P. and E.I.R.P. are defined as the product of the power supplied to the antenna and its gain.

The relevant equation for determining the E.R.P. or E.I.R.P. from the conducted RF output power measured using the guidance provided above is:

$$E.R.P. \text{ or } E.I.R.P. = P_{Meas} + G_T$$

where:

E.R.P. or E.I.R.P. = effective radiated power or equivalent isotropically radiated power, respectively (expressed in the same units as P_{Meas} , typically dBW or dBm);

P_{Meas} = measured transmitter output power or PSD, in dBm or dBW;

G_T = gain of the transmitting antenna, in dBd (ERP) or dBi (EIRP);

2.3.2. Radiated Spurious Emissions

The test based on ANSI/TIA 603E: 2016 and ANSI C63.26-2015 and KDB 971168 D01 Power Meas License Digital Systems v03r01.

1. On a test site, the EUT shall be placed at 0.8 m or 1.5 m height on a turn table, and in the position close to normal use as declared by the applicant.
2. The test antenna shall be oriented initially for vertical polarization located 3 m from EUT to correspond to the fundamental frequency of the transmitter.
3. The output of the test antenna shall be connected to the measuring receiver and the peak detector is used for the measurement.
4. Radiated spurious emissions measurement method was set as follows:
 RBW = 100 kHz for emissions below 1 GHz and 1 MHz for emissions above 1 GHz, VBW \geq 3 x RBW,
 Detector = RMS, trace mode = max hold, per the guidelines of KDB 971168 D01 Power Meas License Digital Systems v03r01.
5. The transmitter shall be switched on, the measuring receiver shall be tuned to the frequency of the transmitter under test.
6. The test antenna shall be raised and lowered through the specified range of height until the maximum signal level is detected by the measuring receiver.
7. The transmitter shall be rotated through 360° in the horizontal plane, until the maximum signal level is detected by the measuring receiver.
8. The test antenna shall be raised and lowered again through the specified range of height until the maximum signal level is detected by the measuring receiver.
9. The maximum signal level detected by the measuring receiver shall be noted.
10. In necessary, the input attenuator setting on the measuring receiver shall be adjusted in order to increase the sensitivity of the measuring receiver.
11. The test antenna shall be raised and lowered through the specified range of height to ensure that the maximum signal is received.
12. The measurement shall be repeated with the test antenna orientated for horizontal polarization.

2.4. Test Results

Ambient temperature : (23 ± 1) °C
 Relative humidity : 47 % R.H.

2.4.1. E.R.P. / E.I.R.P.

Band	Frequency (MHz)	Maximum Conducted Power (dB m)	Maximum Conducted Power (W)	Antenna Gain (dB i)	Maximum E.I.R.P. (dB m)	Maximum E.I.R.P. (W)	Maximum E.R.P. (dB m)	Maximum E.R.P. (W)	Limit
n41	2 496 ~ 2 690	23.81	0.240	4.43	28.24	0.667			2 W E.I.R.P.
n77/78 Low band	3 450 ~ 3 550	23.78	0.239	4.69	28.47	0.703			1 W E.I.R.P.
n77/78 High band	3 700 ~ 3 980	23.69	0.234	4.90	28.59	0.723			1 W E.I.R.P.

Remark;

1. E.I.R.P. (dB m) = Maximum Conducted Power (dB m) + Antenna Gain (dB i)
2. E.R.P. (dB m) = E.I.R.P. (dB m) - 2.15 (dB); where E.R.P. and E.I.R.P. are expressed in consistent units.

2.4.2. Radiated Spurious Emissions

NR Band 41 (30 MHz - DFT-S-OFDM BPSK)

Frequency (MHz)	Measured Level (dB μ V)	Ant. Pol.	AF (dB/m)	AMP+CL (dB)	E (dB μ V/m)	CF (dB)	E.I.R.P. (dB m)	Limit (dB m)	Margin (dB)
Low Channel (2 511.00 MHz)									
Below 1 000.00	Not detected	-	-	-	-	-	-	-	-
Above 1 000.00	Not detected	-	-	-	-	-	-	-	-
Middle Channel (2 592.99 MHz)									
Below 1 000.00	Not detected	-	-	-	-	-	-	-	-
Above 1 000.00	Not detected	-	-	-	-	-	-	-	-
High Channel (2 674.98 MHz)									
Below 1 000.00	Not detected	-	-	-	-	-	-	-	-
Above 1 000.00	Not detected	-	-	-	-	-	-	-	-

NR Band 77/78 Low Band (20 MHz - DFT-S-OFDM BPSK)

Frequency (MHz)	Measured Level (dB μ V)	Ant. Pol.	AF (dB/m)	AMP+CL (dB)	E (dB μ V/m)	CF (dB)	E.I.R.P. (dB m)	Limit (dB m)	Margin (dB)
Low Channel (3 460.02 MHz)									
Below 1 000.00	Not detected	-	-	-	-	-	-	-	-
Above 1 000.00	Not detected	-	-	-	-	-	-	-	-
Middle Channel (3 500.01 MHz)									
Below 1 000.00	Not detected	-	-	-	-	-	-	-	-
Above 1 000.00	Not detected	-	-	-	-	-	-	-	-
High Channel (3 540.00 MHz)									
Below 1 000.00	Not detected	-	-	-	-	-	-	-	-
Above 1 000.00	Not detected	-	-	-	-	-	-	-	-

NR Band 77/78 High Band (20 MHz - DFT-S-OFDM BPSK)

Frequency (MHz)	Measured Level (dB μ V)	Ant. Pol.	AF (dB/m)	AMP+CL (dB)	E (dB μ V/m)	CF (dB)	E.I.R.P. (dB m)	Limit (dB m)	Margin (dB)
Low Channel (3 710.01 MHz)									
Below 1 000.00	Not detected	-	-	-	-	-	-	-	-
Above 1 000.00	Not detected	-	-	-	-	-	-	-	-
Middle Channel (3 840.00 MHz)									
Below 1 000.00	Not detected	-	-	-	-	-	-	-	-
Above 1 000.00	Not detected	-	-	-	-	-	-	-	-
High Channel (3 969.99 MHz)									
Below 1 000.00	Not detected	-	-	-	-	-	-	-	-
Above 1 000.00	Not detected	-	-	-	-	-	-	-	-

ENDC

26A-n41A (30 MHz - DFT-S-OFDM BPSK)

Frequency (MHz)	Measured Level (dB μ V)	Ant. Pol.	AF (dB/m)	AMP+CL (dB)	E (dB μ V/m)	CF (dB)	E.I.R.P. (dB m)	Limit (dB m)	Margin (dB)
Low Channel (2 511.00 MHz)									
Below 1 000.00	Not detected	-	-	-	-	-	-	-	-
Above 1 000.00	Not detected	-	-	-	-	-	-	-	-
Middle Channel (2 592.99 MHz)									
Below 1 000.00	Not detected	-	-	-	-	-	-	-	-
Above 1 000.00	Not detected	-	-	-	-	-	-	-	-
High Channel (2 674.98 MHz)									
Below 1 000.00	Not detected	-	-	-	-	-	-	-	-
Above 1 000.00	Not detected	-	-	-	-	-	-	-	-

5A-n77A Low Band (20 MHz - DFT-S-OFDM BPSK)

Frequency (MHz)	Measured Level (dB μ V)	Ant. Pol.	AF (dB/m)	AMP+CL (dB)	E (dB μ V/m)	CF (dB)	E.I.R.P. (dB m)	Limit (dB m)	Margin (dB)
Low Channel (3 460.02 MHz)									
Below 1 000.00	Not detected	-	-	-	-	-	-	-	-
Above 1 000.00	Not detected	-	-	-	-	-	-	-	-
Middle Channel (3 500.01 MHz)									
Below 1 000.00	Not detected	-	-	-	-	-	-	-	-
Above 1 000.00	Not detected	-	-	-	-	-	-	-	-
High Channel (3 540.00 MHz)									
Below 1 000.00	Not detected	-	-	-	-	-	-	-	-
Above 1 000.00	Not detected	-	-	-	-	-	-	-	-

5A-n77A High Band (20 MHz - DFT-S-OFDM BPSK)

Frequency (MHz)	Measured Level (dB μ V)	Ant. Pol.	AF (dB/m)	AMP+CL (dB)	E (dB μ V/m)	CF (dB)	E.I.R.P. (dB m)	Limit (dB m)	Margin (dB)
Low Channel (3 710.01 MHz)									
Below 1 000.00	Not detected	-	-	-	-	-	-	-	-
Above 1 000.00	Not detected	-	-	-	-	-	-	-	-
Middle Channel (3 840.00 MHz)									
Below 1 000.00	Not detected	-	-	-	-	-	-	-	-
Above 1 000.00	Not detected	-	-	-	-	-	-	-	-
High Channel (3 969.99 MHz)									
Below 1 000.00	Not detected	-	-	-	-	-	-	-	-
Above 1 000.00	Not detected	-	-	-	-	-	-	-	-

5A-n78A Low Band (20 MHz - DFT-S-OFDM BPSK)

Frequency (MHz)	Measured Level (dB μ V)	Ant. Pol.	AF (dB/m)	AMP+CL (dB)	E (dB μ V/m)	CF (dB)	E.I.R.P. (dB m)	Limit (dB m)	Margin (dB)
Low Channel (3 460.02 MHz)									
Below 1 000.00	Not detected	-	-	-	-	-	-	-	-
Above 1 000.00	Not detected	-	-	-	-	-	-	-	-
Middle Channel (3 500.01 MHz)									
Below 1 000.00	Not detected	-	-	-	-	-	-	-	-
Above 1 000.00	Not detected	-	-	-	-	-	-	-	-
High Channel (3 540.00 MHz)									
Below 1 000.00	Not detected	-	-	-	-	-	-	-	-
Above 1 000.00	Not detected	-	-	-	-	-	-	-	-

5A-n78A High Band (20 MHz - DFT-S-OFDM BPSK)

Frequency (MHz)	Measured Level (dB μ V)	Ant. Pol.	AF (dB/m)	AMP+CL (dB)	E (dB μ V/m)	CF (dB)	E.I.R.P. (dB m)	Limit (dB m)	Margin (dB)
Low Channel (3 710.01 MHz)									
Below 1 000.00	Not detected	-	-	-	-	-	-	-	-
Above 1 000.00	Not detected	-	-	-	-	-	-	-	-
Middle Channel (3 750.00 MHz)									
Below 1 000.00	Not detected	-	-	-	-	-	-	-	-
Above 1 000.00	Not detected	-	-	-	-	-	-	-	-
High Channel (3 789.99 MHz)									
Below 1 000.00	Not detected	-	-	-	-	-	-	-	-
Above 1 000.00	Not detected	-	-	-	-	-	-	-	-

Remark;

1. AF = Antenna Factor, CL = Cable Loss, CF = Conversion Factor.
2. E (dB μ V/m) = Measured Level (dB μ V) + Antenna Factor (dB/m) + AMP (dB) + Cable Loss (dB).
3. E.I.R.P. (dB m) = E (dB μ V/m) + CF (dB).
4. E.R.P. (dB m) = E (dB μ V/m) + CF (dB) - 2.15 (dB); where E.R.P. and E.I.R.P. are expressed in consistent units.
5. CF (dB) = 20 log D - 104.8; where D is the measurement distance in meters, According to KDB 971168 D01 v03r01 5.8.4.
6. The frequency spectrum is examined from 9 kHz to the 10th harmonic of the fundamental frequency of the transmitter. No other spurious and harmonic emissions were reported greater than listed emissions above table.

3. Conducted Output Power

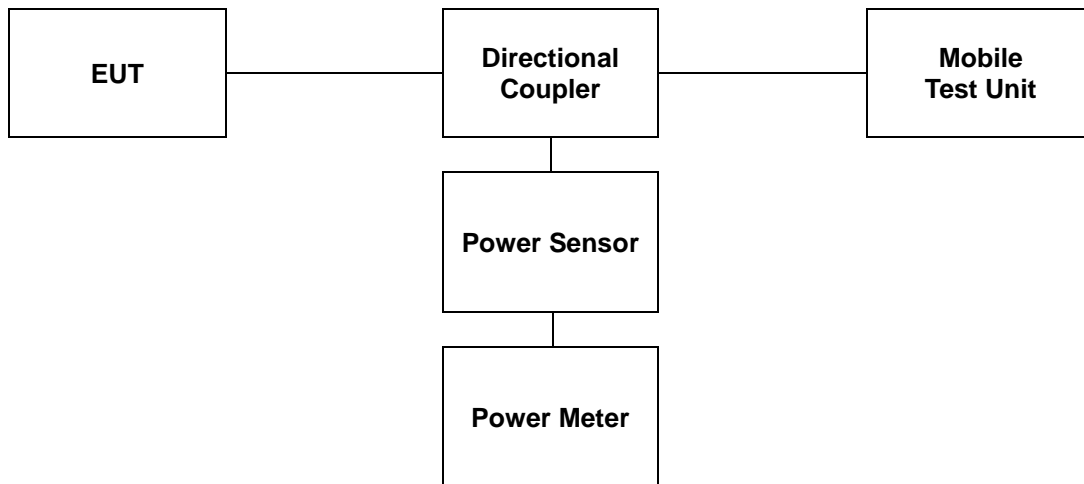
3.1. Limit

CFR 47, Section FCC §2.1046.

3.2. Test Procedure

Output power shall be measured at the RF output terminals for all configurations.

1. The RF output of the transmitter was connected to the input of the mobile test unit in order to establish communication with the EUT.
2. The EUT was set up for the max. output power with pseudo random data modulation by using mobile test unit parameters.
3. The measurement performed using a wideband RF power meter.
4. This EUT was tested under all configurations and the highest power was investigated and reported.



3.3. Test Result

Ambient temperature : (23 ± 1) °C
 Relative humidity : 47 % R.H.

NR Band 41												
BW (MHz)	SCS (kHz)	Modulation	RB allocation	RB Size	RB Offset	Conducted Output Power						
						501204 (2 506.02 MHz)		518598 (2 592.99 MHz)		535998 (2 679.99 MHz)		
						(dB m)	(W)	(dB m)	(W)	(dB m)	(W)	
20	30	DFT-S OFDM	BPSK	Inner_1RB Left	1	1	23.04	0.201	23.47	0.222	23.17	0.207
			QPSK		1	1	22.89	0.195	23.38	0.218	23.23	0.210
			16QAM		1	1	22.03	0.160	22.37	0.173	22.13	0.163
			64QAM		1	1	20.65	0.116	21.03	0.127	20.73	0.118
			256QAM		1	1	18.30	0.068	18.78	0.076	18.57	0.072
			BPSK	Inner_1RB Right	1	49	22.89	0.195	23.48	0.223	23.05	0.202
			QPSK		1	49	22.93	0.196	23.43	0.220	23.03	0.201
			BPSK	Inner_Full	25	12	23.21	0.209	23.63	0.231	23.25	0.211
			QPSK		25	12	23.07	0.203	23.55	0.226	23.12	0.205
			BPSK	Outer_Full	50	0	22.96	0.198	23.04	0.201	22.74	0.188
			QPSK		50	0	22.02	0.159	22.50	0.178	22.17	0.165
			BPSK	Edge_1RB Left	1	0	22.56	0.180	22.84	0.192	22.66	0.185
			QPSK		1	0	22.11	0.163	22.33	0.171	21.93	0.156
			BPSK	Edge_Full Left	2	0	22.31	0.170	22.91	0.195	22.70	0.186
			QPSK		2	0	21.96	0.157	22.44	0.175	22.02	0.159
			BPSK	Edge_1RB Right	1	50	22.74	0.188	22.86	0.193	22.40	0.174
			QPSK		1	50	21.83	0.152	22.31	0.170	21.92	0.156
			BPSK	Edge_Full Right	2	49	22.25	0.168	22.95	0.197	22.52	0.179
		QPSK	2		49	21.95	0.157	22.42	0.175	22.02	0.159	
		CP OFDM	QPSK	Inner_1RB Left	1	1	21.86	0.153	22.11	0.163	21.99	0.158
1	1				21.10	0.129	21.25	0.133	21.12	0.129		
NR Band 41												
BW (MHz)	SCS (kHz)	Modulation	RB allocation	RB Size	RB Offset	Conducted Output Power						
						502200 (2 511.00 MHz)		518598 (2 592.99 MHz)		534996 (2 674.98 MHz)		
						(dB m)	(W)	(dB m)	(W)	(dB m)	(W)	
30	30	DFT-S OFDM	BPSK	Inner_1RB Left	1	1	23.01	0.200	23.81	0.240	23.56	0.227
			QPSK		1	1	23.16	0.207	23.56	0.227	23.51	0.224
			16QAM		1	1	22.13	0.163	22.49	0.177	22.76	0.189
			64QAM		1	1	20.64	0.116	21.06	0.128	21.34	0.136
			256QAM		1	1	18.54	0.071	18.97	0.079	19.18	0.083
			BPSK	Inner_1RB Right	1	76	23.04	0.201	23.64	0.231	23.00	0.200
			QPSK		1	76	22.98	0.199	23.59	0.229	23.29	0.213
			BPSK	Inner_Full	36	18	22.81	0.191	23.63	0.231	23.55	0.226
			QPSK		36	18	22.85	0.193	23.63	0.231	23.64	0.231
			BPSK	Outer_Full	75	0	22.71	0.187	23.02	0.200	22.85	0.193
			QPSK		75	0	22.19	0.166	22.59	0.182	22.57	0.181
			BPSK	Edge_1RB Left	1	0	22.55	0.180	23.01	0.200	22.46	0.176
			QPSK		1	0	21.92	0.156	22.48	0.177	22.74	0.188
			BPSK	Edge_Full Left	2	0	22.65	0.184	23.06	0.202	22.54	0.179
			QPSK		2	0	22.01	0.159	22.60	0.182	22.84	0.192
			BPSK	Edge_1RB Right	1	77	22.65	0.184	23.08	0.203	21.64	0.146
			QPSK		1	77	22.11	0.163	22.49	0.177	22.00	0.158
			BPSK	Edge_Full Right	2	76	22.59	0.182	23.17	0.207	21.73	0.149
		QPSK	2		76	22.23	0.167	22.58	0.181	22.12	0.163	
		CP OFDM	QPSK	Inner_1RB Left	1	1	21.66	0.147	22.27	0.169	22.58	0.181
1	1				21.16	0.131	21.33	0.136	21.74	0.149		

NR Band 41												
BW (MHz)	SCS (kHz)	Modulation	RB allocation	RB Size	RB Offset	Conducted Output Power						
						503202 (2 516.01 MHz)		518598 (2 592.99 MHz)		534000 (2 670.00 MHz)		
						(dB m)	(W)	(dB m)	(W)	(dB m)	(W)	
40	30	DFT-S OFDM	BPSK	Inner_1RB Left	1	1	22.91	0.195	23.50	0.224	23.33	0.215
			QPSK		1	1	22.95	0.197	23.43	0.220	23.43	0.220
			16QAM		1	1	21.91	0.155	22.17	0.165	22.72	0.187
			64QAM		1	1	21.05	0.127	21.13	0.130	21.26	0.134
			256QAM	1	1	18.34	0.068	18.77	0.075	19.15	0.082	
			BPSK	Inner_1RB Right	1	104	23.02	0.200	23.59	0.229	22.99	0.199
			QPSK		1	104	22.96	0.198	23.57	0.228	23.15	0.207
			BPSK	Inner_Full	50	25	23.22	0.210	23.74	0.237	22.84	0.192
			QPSK		50	25	23.13	0.206	23.62	0.230	23.56	0.227
			BPSK	Outer_Full	100	0	22.57	0.181	23.12	0.205	21.87	0.154
			QPSK		100	0	22.05	0.160	22.62	0.183	22.25	0.168
			BPSK	Edge_1RB Left	1	0	22.41	0.174	22.86	0.193	23.18	0.208
			QPSK		1	0	21.75	0.150	22.32	0.171	22.69	0.186
			BPSK	Edge_Full Left	2	0	22.47	0.177	22.94	0.197	23.17	0.207
			QPSK		2	0	22.35	0.172	22.46	0.176	22.87	0.194
			BPSK	Edge_1RB Right	1	105	22.39	0.173	23.02	0.200	22.33	0.171
			QPSK		1	105	21.93	0.156	22.51	0.178	21.85	0.153
			BPSK	Edge_Full Right	2	104	22.47	0.177	23.10	0.204	22.48	0.177
		QPSK	2		104	21.99	0.158	22.64	0.184	21.97	0.157	
		CP OFDM	QPSK	Inner_1RB Left	1	1	22.26	0.168	22.13	0.163	22.51	0.178
1	1				21.11	0.129	21.21	0.132	21.65	0.146		
NR Band 41												
BW (MHz)	SCS (kHz)	Modulation	RB allocation	RB Size	RB Offset	Conducted Output Power						
						504204 (2 521.02 MHz)		518598 (2 592.99 MHz)		532998 (2 664.99 MHz)		
						(dB m)	(W)	(dB m)	(W)	(dB m)	(W)	
50	30	DFT-S OFDM	BPSK	Inner_1RB Left	1	1	22.89	0.195	23.28	0.213	23.46	0.222
			QPSK		1	1	23.04	0.201	23.29	0.213	23.48	0.223
			16QAM		1	1	21.99	0.158	22.22	0.167	22.41	0.174
			64QAM		1	1	20.58	0.114	20.99	0.126	20.95	0.124
			256QAM	1	1	18.47	0.070	18.81	0.076	18.84	0.077	
			BPSK	Inner_1RB Right	1	131	23.05	0.202	23.66	0.232	22.65	0.184
			QPSK		1	131	22.89	0.195	23.56	0.227	22.84	0.192
			BPSK	Inner_Full	64	32	23.26	0.212	23.58	0.228	23.45	0.221
			QPSK		64	32	23.16	0.207	23.54	0.226	23.22	0.210
			BPSK	Outer_Full	128	0	22.50	0.178	22.87	0.194	22.37	0.173
			QPSK		128	0	22.10	0.162	22.50	0.178	21.86	0.153
			BPSK	Edge_1RB Left	1	0	22.34	0.171	22.42	0.175	22.35	0.172
			QPSK		1	0	21.73	0.149	22.16	0.164	22.21	0.166
			BPSK	Edge_Full Left	2	0	22.55	0.180	22.62	0.183	22.45	0.176
			QPSK		2	0	21.85	0.153	22.30	0.170	22.32	0.171
			BPSK	Edge_1RB Right	1	132	22.38	0.173	22.93	0.196	22.22	0.167
			QPSK		1	132	21.95	0.157	22.45	0.176	22.11	0.163
			BPSK	Edge_Full Right	2	131	22.52	0.179	23.07	0.203	22.32	0.171
		QPSK	2		131	22.04	0.160	22.60	0.182	22.06	0.161	
		CP OFDM	QPSK	Inner_1RB Left	1	1	21.62	0.145	22.02	0.159	22.35	0.172
1	1				21.12	0.129	21.33	0.136	21.42	0.139		

NR Band 41												
BW (MHz)	SCS (kHz)	Modulation	RB allocation	RB Size	RB Offset	Conducted Output Power						
						505200 (2 526.00 MHz)		518598 (2 592.99 MHz)		531996 (2 659.98 MHz)		
						(dB m)	(W)	(dB m)	(W)	(dB m)	(W)	
60	30	DFT-S OFDM	BPSK	Inner_1RB Left	1	1	22.67	0.185	23.24	0.211	23.31	0.214
			QPSK		1	1	22.65	0.184	23.10	0.204	23.26	0.212
			16QAM		1	1	21.62	0.145	21.88	0.154	22.24	0.167
			64QAM		1	1	20.12	0.103	20.73	0.118	20.74	0.119
			256QAM	1	1	18.10	0.065	18.44	0.070	18.72	0.074	
			BPSK	Inner_1RB Right	1	160	22.70	0.186	23.41	0.219	22.77	0.189
			QPSK		1	160	22.60	0.182	23.37	0.217	22.76	0.189
			BPSK	Inner_Full	81	40	22.68	0.185	23.29	0.213	23.01	0.200
			QPSK		81	40	22.65	0.184	23.25	0.211	23.17	0.207
			BPSK	Outer_Full	162	0	22.25	0.168	22.85	0.193	22.74	0.188
			QPSK		162	0	21.76	0.150	22.32	0.171	22.13	0.163
			BPSK	Edge_1RB Left	1	0	22.15	0.164	22.64	0.184	22.78	0.190
			QPSK		1	0	21.61	0.145	22.09	0.162	22.19	0.166
			BPSK	Edge_Full Left	2	0	22.25	0.168	22.68	0.185	22.59	0.182
			QPSK		2	0	21.72	0.149	22.21	0.166	22.25	0.168
			BPSK	Edge_1RB Right	1	161	22.07	0.161	22.81	0.191	22.25	0.168
			QPSK		1	161	21.48	0.141	22.24	0.167	21.64	0.146
			BPSK	Edge_Full Right	2	160	22.17	0.165	22.85	0.193	22.75	0.188
			QPSK		2	160	21.68	0.147	22.38	0.173	21.76	0.150
			CP OFDM	QPSK	Inner_1RB Left	1	1	21.46	0.140	21.94	0.156	22.03
1	1	21.12				0.129	21.39	0.138	21.22	0.132		
NR Band 41												
BW (MHz)	SCS (kHz)	Modulation	RB allocation	RB Size	RB Offset	Conducted Output Power						
						506202 (2 531.01 MHz)		518598 (2 592.99 MHz)		531000 (2 655.00 MHz)		
						(dB m)	(W)	(dB m)	(W)	(dB m)	(W)	
70	30	DFT-S OFDM	BPSK	Inner_1RB Left	1	1	22.56	0.180	23.40	0.219	23.50	0.224
			QPSK		1	1	22.69	0.186	23.00	0.200	23.43	0.220
			16QAM		1	1	22.03	0.160	22.05	0.160	22.34	0.171
			64QAM		1	1	20.02	0.100	20.72	0.118	20.65	0.116
			256QAM	1	1	18.28	0.067	18.33	0.068	18.81	0.076	
			BPSK	Inner_1RB Right	1	187	22.72	0.187	23.30	0.214	22.97	0.198
			QPSK		1	187	22.80	0.191	23.38	0.218	22.97	0.198
			BPSK	Inner_Full	90	45	22.87	0.194	23.25	0.211	23.16	0.207
			QPSK		90	45	22.71	0.187	23.20	0.209	23.15	0.207
			BPSK	Outer_Full	180	0	22.19	0.166	23.00	0.200	22.74	0.188
			QPSK		180	0	21.65	0.146	22.46	0.176	21.85	0.153
			BPSK	Edge_1RB Left	1	0	22.04	0.160	22.59	0.182	22.93	0.196
			QPSK		1	0	21.72	0.149	22.21	0.166	22.22	0.167
			BPSK	Edge_Full Left	2	0	22.25	0.168	22.70	0.186	22.78	0.190
			QPSK		2	0	21.85	0.153	22.29	0.169	22.25	0.168
			BPSK	Edge_1RB Right	1	188	22.19	0.166	22.90	0.195	22.17	0.165
			QPSK		1	188	21.54	0.143	22.31	0.170	21.71	0.148
			BPSK	Edge_Full Right	2	187	22.08	0.161	22.98	0.199	22.87	0.194
			QPSK		2	187	21.89	0.155	22.39	0.173	21.90	0.155
			CP OFDM	QPSK	Inner_1RB Left	1	1	21.50	0.141	22.09	0.162	22.09
1	1	20.62				0.115	21.50	0.141	21.18	0.131		

NR Band 41												
BW (MHz)	SCS (kHz)	Modulation	RB allocation	RB Size	RB Offset	Conducted Output Power						
						507204 (2 536.02 MHz)		518598 (2 592.99 MHz)		529998 (2 649.99 MHz)		
						(dB m)	(W)	(dB m)	(W)	(dB m)	(W)	
80	30	DFT-S OFDM	BPSK	Inner_1RB Left	1	1	23.11	0.205	22.98	0.199	23.41	0.219
			QPSK		1	1	23.05	0.202	23.33	0.215	23.36	0.217
			16QAM		1	1	21.81	0.152	22.07	0.161	22.12	0.163
			64QAM		1	1	20.66	0.116	21.01	0.126	20.52	0.113
			256QAM	1	1	18.19	0.066	18.72	0.074	18.71	0.074	
			BPSK	Inner_1RB Right	1	215	22.96	0.198	23.47	0.222	22.95	0.197
			QPSK		1	215	23.02	0.200	23.30	0.214	22.80	0.191
			BPSK	Inner_Full	108	54	23.21	0.209	23.39	0.218	23.63	0.231
			QPSK		108	54	23.12	0.205	23.27	0.212	23.48	0.223
			BPSK	Outer_Full	216	0	22.27	0.169	22.39	0.173	22.90	0.195
			QPSK		216	0	21.73	0.149	22.36	0.172	22.35	0.172
			BPSK	Edge_1RB Left	1	0	22.24	0.167	22.21	0.166	22.88	0.194
			QPSK		1	0	21.65	0.146	21.92	0.156	22.30	0.170
			BPSK	Edge_Full Left	2	0	22.45	0.176	22.34	0.171	22.51	0.178
			QPSK		2	0	21.77	0.150	22.06	0.161	22.40	0.174
			BPSK	Edge_1RB Right	1	216	22.32	0.171	22.95	0.197	22.36	0.172
			QPSK		1	216	21.51	0.142	22.29	0.169	21.71	0.148
			BPSK	Edge_Full Right	2	215	22.55	0.180	22.99	0.199	22.34	0.171
		QPSK	2		215	21.63	0.146	22.49	0.177	21.92	0.156	
		CP OFDM	QPSK	Inner_1RB	1	1	21.63	0.146	21.95	0.157	21.92	0.156
CP OFDM	16QAM	Left	1	1	21.08	0.128	21.47	0.140	20.98	0.125		
NR Band 41												
BW (MHz)	SCS (kHz)	Modulation	RB allocation	RB Size	RB Offset	Conducted Output Power						
						508200 (2 541.00 MHz)		518598 (2 592.99 MHz)		528996 (2 644.98 MHz)		
						(dB m)	(W)	(dB m)	(W)	(dB m)	(W)	
90	30	DFT-S OFDM	BPSK	Inner_1RB Left	1	1	22.81	0.191	23.67	0.233	23.53	0.225
			QPSK		1	1	22.90	0.195	23.57	0.228	23.52	0.225
			16QAM		1	1	21.92	0.156	22.52	0.179	22.50	0.178
			64QAM		1	1	20.43	0.110	21.14	0.130	21.08	0.128
			256QAM	1	1	18.58	0.072	19.12	0.082	18.94	0.078	
			BPSK	Inner_1RB Right	1	243	22.53	0.179	23.27	0.212	22.96	0.198
			QPSK		1	243	22.65	0.184	23.26	0.212	22.97	0.198
			BPSK	Inner_Full	120	60	23.05	0.202	23.11	0.205	23.21	0.209
			QPSK		120	60	23.12	0.205	22.96	0.198	23.16	0.207
			BPSK	Outer_Full	243	0	22.21	0.166	22.57	0.181	22.34	0.171
			QPSK		243	0	22.52	0.179	22.64	0.184	22.75	0.188
			BPSK	Edge_1RB Left	1	0	22.53	0.179	22.89	0.195	22.81	0.191
			QPSK		1	0	22.36	0.172	22.91	0.195	22.75	0.188
			BPSK	Edge_Full Left	2	0	22.66	0.185	23.00	0.200	22.87	0.194
			QPSK		2	0	22.63	0.183	22.85	0.193	22.87	0.194
			BPSK	Edge_1RB Right	1	244	22.30	0.170	22.39	0.173	22.59	0.182
			QPSK		1	244	22.26	0.168	22.40	0.174	22.45	0.176
			BPSK	Edge_Full Right	2	243	22.49	0.177	22.48	0.177	22.33	0.171
		QPSK	2		243	21.53	0.142	22.48	0.177	22.59	0.182	
		CP OFDM	QPSK	Inner_1RB	1	1	21.75	0.150	22.43	0.175	22.35	0.172
CP OFDM	16QAM	Left	1	1	20.89	0.123	21.93	0.156	21.52	0.142		

NR Band 41												
BW (MHz)	SCS (kHz)	Modulation	RB allocation	RB Size	RB Offset	Conducted Output Power						
						509202 (2 546.01 MHz)		518598 (2 592.99 MHz)		528000 (2 640.00 MHz)		
						(dB m)	(W)	(dB m)	(W)	(dB m)	(W)	
100	30	DFT-S OFDM	BPSK	Inner_1RB Left	1	1	23.40	0.219	23.74	0.237	23.54	0.226
			QPSK		1	1	23.38	0.218	23.71	0.235	23.51	0.224
			16QAM		1	1	22.25	0.168	22.54	0.179	22.50	0.178
			64QAM		1	1	20.81	0.121	21.27	0.134	21.07	0.128
			256QAM	1	1	18.62	0.073	19.16	0.082	18.83	0.076	
			BPSK	Inner_1RB Right	1	271	23.11	0.205	23.36	0.217	23.13	0.206
			QPSK		1	271	23.02	0.200	23.34	0.216	23.09	0.204
			BPSK	Inner_Full	135	67	22.89	0.195	23.45	0.221	23.13	0.206
			QPSK		135	67	23.11	0.205	23.44	0.221	23.12	0.205
			BPSK	Outer_Full	270	0	22.45	0.176	22.64	0.184	22.31	0.170
			QPSK		270	0	22.45	0.176	22.59	0.182	22.29	0.169
			BPSK	Edge_1RB Left	1	0	22.30	0.170	22.88	0.194	22.56	0.180
			QPSK		1	0	22.36	0.172	22.86	0.193	22.56	0.180
			BPSK	Edge_Full Left	2	0	22.65	0.184	22.96	0.198	22.63	0.183
			QPSK		2	0	22.35	0.172	22.95	0.197	22.63	0.183
			BPSK	Edge_1RB Right	1	272	22.55	0.180	22.27	0.169	22.15	0.164
		QPSK	1		272	22.11	0.163	22.28	0.169	22.13	0.163	
		BPSK	Edge_Full Right	2	271	22.06	0.161	22.33	0.171	22.21	0.166	
		QPSK		2	271	22.11	0.163	22.34	0.171	22.21	0.166	
		CP OFDM	16QAM	QPSK	Inner_1RB	1	1	22.03	0.160	22.32	0.171	22.23
16QAM	Left			1	1	21.52	0.142	21.75	0.150	21.65	0.146	

NR Band 77/78-Low Band												
BW (MHz)	SCS (kHz)	Modulation	RB allocation	RB Size	RB Offset	Conducted Output Power						
						630668 (3 460.02 MHz)		633334 (3 500.01 MHz)		636000 (3 540.00 MHz)		
						(dB m)	(W)	(dB m)	(W)	(dB m)	(W)	
20	30	DFT-S OFDM	BPSK	Inner_1RB Left	1	1	23.45	0.221	23.35	0.216	23.78	0.239
			QPSK		1	1	23.40	0.219	23.29	0.213	23.36	0.217
			16QAM		1	1	22.49	0.177	22.40	0.174	22.48	0.177
			64QAM		1	1	21.09	0.129	20.90	0.123	20.96	0.125
			256QAM	1	1	18.89	0.077	18.83	0.076	18.85	0.077	
			BPSK	Inner_1RB Right	1	49	23.57	0.228	23.38	0.218	23.44	0.221
			QPSK		1	49	23.52	0.225	23.32	0.215	23.37	0.217
			BPSK	Inner_Full	25	12	23.64	0.231	23.47	0.222	23.57	0.228
			QPSK		25	12	23.50	0.224	23.38	0.218	23.46	0.222
			BPSK	Outer_Full	50	0	23.01	0.200	22.92	0.196	22.96	0.198
			QPSK		50	0	22.48	0.177	22.39	0.173	22.47	0.177
			BPSK	Edge_1RB Left	1	0	22.85	0.193	22.79	0.190	22.85	0.193
			QPSK		1	0	22.41	0.174	22.29	0.169	22.35	0.172
			BPSK	Edge_Full Left	2	0	22.97	0.198	22.87	0.194	22.93	0.196
			QPSK		2	0	22.50	0.178	22.35	0.172	22.41	0.174
			BPSK	Edge_1RB Right	1	50	22.85	0.193	22.78	0.190	22.85	0.193
			QPSK		1	50	22.37	0.173	22.27	0.169	22.37	0.173
			BPSK	Edge_Full Right	2	49	22.93	0.196	22.85	0.193	22.94	0.197
		QPSK	2		49	22.48	0.177	22.38	0.173	22.43	0.175	
		CP OFDM	QPSK	Inner_1RB Left	1	1	21.98	0.158	21.94	0.156	21.98	0.158
1	1				21.55	0.143	21.46	0.140	21.55	0.143		
NR Band 77/78-Low Band												
BW (MHz)	SCS (kHz)	Modulation	RB allocation	RB Size	RB Offset	Conducted Output Power						
						631000 (3 465.00 MHz)		633334 (3 500.01 MHz)		635666 (3 534.99 MHz)		
						(dB m)	(W)	(dB m)	(W)	(dB m)	(W)	
30	30	DFT-S OFDM	BPSK	Inner_1RB Left	1	1	23.54	0.226	23.49	0.223	23.69	0.234
			QPSK		1	1	23.47	0.222	23.44	0.221	23.65	0.232
			16QAM		1	1	22.54	0.179	22.49	0.177	22.68	0.185
			64QAM		1	1	21.02	0.126	20.96	0.125	21.18	0.131
			256QAM	1	1	18.97	0.079	18.98	0.079	19.08	0.081	
			BPSK	Inner_1RB Right	1	76	23.47	0.222	23.55	0.226	23.70	0.234
			QPSK		1	76	23.46	0.222	23.50	0.224	23.65	0.232
			BPSK	Inner_Full	36	18	23.67	0.233	23.61	0.230	23.76	0.238
			QPSK		36	18	23.58	0.228	23.55	0.226	23.68	0.233
			BPSK	Outer_Full	75	0	23.07	0.203	23.08	0.203	23.17	0.207
			QPSK		75	0	22.56	0.180	22.53	0.179	22.69	0.186
			BPSK	Edge_1RB Left	1	0	22.91	0.195	22.83	0.192	23.07	0.203
			QPSK		1	0	22.42	0.175	22.33	0.171	22.57	0.181
			BPSK	Edge_Full Left	2	0	23.00	0.200	22.91	0.195	23.15	0.207
			QPSK		2	0	22.50	0.178	22.43	0.175	22.63	0.183
			BPSK	Edge_1RB Right	1	77	22.89	0.195	22.92	0.196	22.97	0.198
			QPSK		1	77	22.39	0.173	22.48	0.177	22.62	0.183
			BPSK	Edge_Full Right	2	76	22.98	0.199	23.05	0.202	23.18	0.208
		QPSK	2		76	22.46	0.176	22.54	0.179	22.69	0.186	
		CP OFDM	QPSK	Inner_1RB Left	1	1	22.04	0.160	21.98	0.158	22.22	0.167
1	1				21.53	0.142	21.56	0.143	21.73	0.149		

NR Band 77/78-Low Band												
BW (MHz)	SCS (kHz)	Modulation	RB allocation	RB Size	RB Offset	Conducted Output Power						
						631334 (3 470.01 MHz)		633334 (3 500.01 MHz)		635332 (3 529.98 MHz)		
						(dB m)	(W)	(dB m)	(W)	(dB m)	(W)	
40	30	DFT-S OFDM	BPSK	Inner_1RB Left	1	1	23.53	0.225	23.40	0.219	23.46	0.222
			QPSK		1	1	23.50	0.224	23.35	0.216	23.48	0.223
			16QAM		1	1	22.55	0.180	22.44	0.175	22.51	0.178
			64QAM		1	1	21.02	0.126	20.91	0.123	21.00	0.126
			256QAM	1	1	18.95	0.079	18.83	0.076	18.90	0.078	
			BPSK	Inner_1RB Right	1	104	23.42	0.220	23.47	0.222	23.60	0.229
			QPSK		1	104	23.38	0.218	23.45	0.221	23.54	0.226
			BPSK	Inner_Full	50	25	23.70	0.234	23.61	0.230	23.69	0.234
			QPSK		50	25	23.63	0.231	23.53	0.225	23.60	0.229
			BPSK	Outer_Full	100	0	23.09	0.204	23.06	0.202	23.10	0.204
			QPSK		100	0	22.56	0.180	22.53	0.179	22.59	0.182
			BPSK	Edge_1RB Left	1	0	22.93	0.196	22.85	0.193	22.89	0.195
			QPSK		1	0	22.44	0.175	22.37	0.173	22.38	0.173
			BPSK	Edge_Full Left	2	0	23.01	0.200	22.94	0.197	22.97	0.198
			QPSK		2	0	22.51	0.178	22.43	0.175	22.45	0.176
			BPSK	Edge_1RB Right	1	105	22.81	0.191	22.93	0.196	23.00	0.200
		QPSK	1		105	22.30	0.170	22.41	0.174	22.51	0.178	
		BPSK	Edge_Full Right	2	104	22.88	0.194	22.99	0.199	23.09	0.204	
		QPSK		2	104	22.37	0.173	22.48	0.177	22.60	0.182	
		CP OFDM	QPSK	Inner_1RB	1	1	22.04	0.160	21.95	0.157	22.05	0.160
	16QAM	Left	1	1	21.61	0.145	21.48	0.141	21.57	0.144		
NR Band 77/78-Low Band												
BW (MHz)	SCS (kHz)	Modulation	RB allocation	RB Size	RB Offset	Conducted Output Power						
						631668 (3 475.02 MHz)		633334 (3 500.01 MHz)		635000 (3 525.00 MHz)		
						(dB m)	(W)	(dB m)	(W)	(dB m)	(W)	
50	30	DFT-S OFDM	BPSK	Inner_1RB Left	1	1	23.59	0.229	23.57	0.228	23.75	0.237
			QPSK		1	1	23.54	0.226	23.50	0.224	23.41	0.219
			16QAM		1	1	22.59	0.182	22.62	0.183	22.51	0.178
			64QAM		1	1	21.10	0.129	21.06	0.128	20.96	0.125
			256QAM	1	1	19.04	0.080	19.00	0.079	18.92	0.078	
			BPSK	Inner_1RB Right	1	131	23.64	0.231	23.67	0.233	23.71	0.235
			QPSK		1	131	23.59	0.229	23.63	0.231	23.74	0.237
			BPSK	Inner_Full	64	32	23.74	0.237	23.73	0.236	23.75	0.237
			QPSK		64	32	23.68	0.233	23.71	0.235	23.69	0.234
			BPSK	Outer_Full	128	0	23.11	0.205	23.17	0.207	23.12	0.205
			QPSK		128	0	22.60	0.182	22.68	0.185	22.60	0.182
			BPSK	Edge_1RB Left	1	0	22.97	0.198	23.00	0.200	22.87	0.194
			QPSK		1	0	22.50	0.178	22.47	0.177	22.38	0.173
			BPSK	Edge_Full Left	2	0	23.06	0.202	23.05	0.202	22.95	0.197
			QPSK		2	0	22.58	0.181	22.56	0.180	22.46	0.176
			BPSK	Edge_1RB Right	1	132	23.04	0.201	23.07	0.203	23.20	0.209
		QPSK	1		132	22.54	0.179	22.59	0.182	22.68	0.185	
		BPSK	Edge_Full Right	2	131	23.12	0.205	23.16	0.207	23.21	0.209	
		QPSK		2	131	22.62	0.183	22.68	0.185	22.76	0.189	
		CP OFDM	QPSK	Inner_1RB	1	1	22.13	0.163	22.13	0.163	22.08	0.161
	16QAM	Left	1	1	21.72	0.149	21.68	0.147	21.62	0.145		

NR Band 77/78-Low Band												
BW (MHz)	SCS (kHz)	Modulation	RB allocation	RB Size	RB Offset	Conducted Output Power						
						632000 (3 480.00 MHz)		633334 (3 500.01 MHz)		634666 (3 519.99 MHz)		
						(dB m)	(W)	(dB m)	(W)	(dB m)	(W)	
60	30	DFT-S OFDM	BPSK	Inner_1RB Left	1	1	23.48	0.223	23.44	0.221	23.38	0.218
			QPSK		1	1	23.43	0.220	23.39	0.218	23.36	0.217
			16QAM		1	1	22.52	0.179	22.47	0.177	22.45	0.176
			64QAM		1	1	20.95	0.124	20.94	0.124	20.85	0.122
			256QAM	1	1	18.89	0.077	18.82	0.076	18.80	0.076	
			BPSK	Inner_1RB Right	1	160	23.47	0.222	23.48	0.223	23.57	0.228
			QPSK		1	160	23.42	0.220	23.47	0.222	23.57	0.228
			BPSK	Inner_Full	81	40	23.40	0.219	23.39	0.218	23.47	0.222
			QPSK		81	40	23.33	0.215	23.35	0.216	23.38	0.218
			BPSK	Outer_Full	162	0	22.92	0.196	22.96	0.198	22.98	0.199
			QPSK		162	0	22.41	0.174	22.45	0.176	22.45	0.176
			BPSK	Edge_1RB Left	1	0	22.92	0.196	22.88	0.194	22.69	0.186
			QPSK		1	0	22.41	0.174	22.36	0.172	22.32	0.171
			BPSK	Edge_Full	2	0	22.98	0.199	22.95	0.197	22.88	0.194
			QPSK		2	0	22.48	0.177	22.43	0.175	22.39	0.173
			BPSK	Edge_1RB Right	1	161	22.86	0.193	22.93	0.196	23.01	0.200
			QPSK		1	161	22.39	0.173	22.41	0.174	22.50	0.178
			BPSK	Edge_Full	2	160	22.94	0.197	23.01	0.200	23.10	0.204
		QPSK	2		160	22.47	0.177	22.48	0.177	22.57	0.181	
		CP OFDM	QPSK	Inner_1RB	1	1	21.99	0.158	21.98	0.158	21.88	0.154
CP OFDM	16QAM	Left	1	1	21.70	0.148	21.66	0.147	21.65	0.146		
NR Band 77/78-Low Band												
BW (MHz)	SCS (kHz)	Modulation	RB allocation	RB Size	RB Offset	Conducted Output Power						
						632334 (3 485.01 MHz)		633334 (3 500.01 MHz)		634332 (3 514.98 MHz)		
						(dB m)	(W)	(dB m)	(W)	(dB m)	(W)	
70	30	DFT-S OFDM	BPSK	Inner_1RB Left	1	1	23.52	0.225	23.61	0.230	23.57	0.228
			QPSK		1	1	23.50	0.224	23.54	0.226	23.57	0.228
			16QAM		1	1	22.58	0.181	22.59	0.182	22.64	0.184
			64QAM		1	1	21.01	0.126	21.06	0.128	21.12	0.129
			256QAM	1	1	18.91	0.078	18.95	0.079	19.04	0.080	
			BPSK	Inner_1RB Right	1	187	23.71	0.235	23.70	0.234	23.69	0.234
			QPSK		1	187	23.57	0.228	23.66	0.232	23.54	0.226
			BPSK	Inner_Full	90	45	23.62	0.230	23.55	0.226	23.60	0.229
			QPSK		90	45	23.52	0.225	23.46	0.222	23.39	0.218
			BPSK	Outer_Full	180	0	23.07	0.203	23.02	0.200	23.01	0.200
			QPSK		180	0	22.47	0.177	22.46	0.176	22.51	0.178
			BPSK	Edge_1RB Left	1	0	22.86	0.193	22.88	0.194	23.01	0.200
			QPSK		1	0	22.45	0.176	22.46	0.176	22.49	0.177
			BPSK	Edge_Full	2	0	23.04	0.201	23.00	0.200	23.09	0.204
			QPSK		2	0	22.47	0.177	22.53	0.179	22.59	0.182
			BPSK	Edge_1RB Right	1	188	22.99	0.199	23.09	0.204	23.00	0.200
			QPSK		1	188	22.51	0.178	22.57	0.181	22.53	0.179
			BPSK	Edge_Full	2	187	23.12	0.205	23.11	0.205	23.17	0.207
		QPSK	2		187	22.60	0.182	22.63	0.183	22.70	0.186	
		CP OFDM	QPSK	Inner_1RB	1	1	22.05	0.160	22.09	0.162	22.04	0.160
CP OFDM	16QAM	Left	1	1	21.60	0.145	21.56	0.143	21.50	0.141		

NR Band 77/78-Low Band												
BW (MHz)	SCS (kHz)	Modulation	RB allocation	RB Size	RB Offset	Conducted Output Power						
						632668 (3 490.02 MHz)		633334 (3 500.01 MHz)		634000 (3 510.00 MHz)		
						(dB m)	(W)	(dB m)	(W)	(dB m)	(W)	
80	30	DFT-S OFDM	BPSK	Inner_1RB Left	1	1	23.41	0.219	23.57	0.228	23.54	0.226
			QPSK		1	1	23.41	0.219	23.58	0.228	23.50	0.224
			16QAM		1	1	22.47	0.177	22.63	0.183	22.57	0.181
			64QAM		1	1	20.91	0.123	21.08	0.128	21.07	0.128
			256QAM	1	1	18.87	0.077	18.99	0.079	18.98	0.079	
			BPSK	Inner_1RB Right	1	215	23.69	0.234	23.62	0.230	23.57	0.228
			QPSK		1	215	23.64	0.231	23.62	0.230	23.58	0.228
			BPSK	Inner_Full	108	54	23.56	0.227	23.57	0.228	23.74	0.237
			QPSK		108	54	23.47	0.222	23.49	0.223	23.57	0.228
			BPSK	Outer_Full	216	0	22.99	0.199	23.03	0.201	23.07	0.203
			QPSK		216	0	22.50	0.178	22.49	0.177	22.56	0.180
			BPSK	Edge_1RB Left	1	0	22.83	0.192	23.02	0.200	22.95	0.197
			QPSK		1	0	22.34	0.171	22.54	0.179	22.45	0.176
			BPSK	Edge_Full Left	2	0	22.91	0.195	23.11	0.205	23.05	0.202
			QPSK		2	0	22.41	0.174	22.60	0.182	22.52	0.179
			BPSK	Edge_1RB Right	1	216	23.09	0.204	23.08	0.203	23.02	0.200
			QPSK		1	216	22.56	0.180	22.57	0.181	22.51	0.178
			BPSK	Edge_Full Right	2	215	23.16	0.207	23.15	0.207	23.11	0.205
			QPSK		2	215	22.64	0.184	22.64	0.184	22.58	0.181
			CP OFDM	QPSK	Inner_1RB Left	1	1	21.97	0.157	22.03	0.160	22.08
1	1	21.51				0.142	21.64	0.146	21.66	0.147		
NR Band 77/78-Low Band												
BW (MHz)	SCS (kHz)	Modulation	RB allocation	RB Size	RB Offset	Conducted Output Power						
						633000 (3 495.00 MHz)		633334 (3 500.01 MHz)		633666 (3 504.99 MHz)		
						(dB m)	(W)	(dB m)	(W)	(dB m)	(W)	
90	30	DFT-S OFDM	BPSK	Inner_1RB Left	1	1	23.52	0.225	23.61	0.230	23.63	0.231
			QPSK		1	1	23.50	0.224	23.54	0.226	23.63	0.231
			16QAM		1	1	22.58	0.181	22.59	0.182	22.80	0.191
			64QAM		1	1	21.01	0.126	21.06	0.128	21.27	0.134
			256QAM	1	1	18.91	0.078	18.95	0.079	19.09	0.081	
			BPSK	Inner_1RB Right	1	243	23.71	0.235	23.70	0.234	23.62	0.230
			QPSK		1	243	23.57	0.228	23.66	0.232	23.61	0.230
			BPSK	Inner_Full	120	60	23.52	0.225	23.15	0.207	23.38	0.218
			QPSK		120	60	23.40	0.219	23.26	0.212	23.11	0.205
			BPSK	Outer_Full	243	0	23.07	0.203	23.02	0.200	23.10	0.204
			QPSK		243	0	22.47	0.177	22.46	0.176	22.57	0.181
			BPSK	Edge_1RB Left	1	0	22.86	0.193	22.88	0.194	23.20	0.209
			QPSK		1	0	22.45	0.176	22.46	0.176	22.71	0.187
			BPSK	Edge_Full Left	2	0	23.04	0.201	23.00	0.200	23.30	0.214
			QPSK		2	0	22.47	0.177	22.53	0.179	22.78	0.190
			BPSK	Edge_1RB Right	1	244	22.99	0.199	23.09	0.204	23.13	0.206
			QPSK		1	244	22.51	0.178	22.57	0.181	22.66	0.185
			BPSK	Edge_Full Right	2	243	23.12	0.205	23.11	0.205	23.23	0.210
			QPSK		2	243	22.60	0.182	22.63	0.183	22.73	0.187
			CP OFDM	QPSK	Inner_1RB Left	1	1	22.05	0.160	22.09	0.162	22.14
1	1	21.60				0.145	21.56	0.143	21.87	0.154		

NR Band 77/78-Low Band												
BW (MHz)	SCS (kHz)	Modulation		RB allocation	RB Size	RB Offset	Conducted Output Power					
							633334 (3 500.01 MHz)					
									(dB m)	(W)		
100	30	DFT-S OFDM	BPSK	Inner_1RB Left	1	1	-	-	23.64	0.231	-	-
			QPSK		1	1	-	-	23.66	0.232	-	-
			16QAM		1	1	-	-	22.73	0.187	-	-
			64QAM		1	1	-	-	21.14	0.130	-	-
			256QAM		1	1	-	-	19.10	0.081	-	-
			BPSK	Inner_1RB Right	1	271	-	-	23.74	0.237	-	-
			QPSK		1	271	-	-	23.76	0.238	-	-
			BPSK	Inner_Full	135	67	-	-	23.47	0.222	-	-
			QPSK		135	67	-	-	23.37	0.217	-	-
			BPSK	Outer_Full	270	0	-	-	23.08	0.203	-	-
			QPSK		270	0	-	-	22.57	0.181	-	-
			BPSK	Edge_1RB Left	1	0	-	-	23.07	0.203	-	-
			QPSK		1	0	-	-	22.56	0.180	-	-
			BPSK	Edge_Full Left	2	0	-	-	23.14	0.206	-	-
			QPSK		2	0	-	-	22.63	0.183	-	-
			BPSK	Edge_1RB Right	1	272	-	-	23.18	0.208	-	-
			QPSK		1	272	-	-	22.67	0.185	-	-
			BPSK	Edge_Full Right	2	271	-	-	23.27	0.212	-	-
		QPSK	2		271	-	-	22.65	0.184	-	-	
		CP OFDM	QPSK	Inner_1RB	1	1	-	-	22.19	0.166	-	-
	16QAM	Left	1	1	-	-	21.76	0.150	-	-		

NR Band 77/78-High Band												
BW (MHz)	SCS (kHz)	Modulation	RB allocation	RB Size	RB Offset	Conducted Output Power						
						647334 (3 710.01 MHz)		656000 (3 840.00 MHz)		664666 (3 969.99 MHz)		
						(dB m)	(W)	(dB m)	(W)	(dB m)	(W)	
20	30	DFT-S OFDM	BPSK	Inner_1RB Left	1	1	23.69	0.234	23.34	0.216	22.79	0.190
			QPSK		1	1	23.22	0.210	23.27	0.212	22.81	0.191
			16QAM		1	1	22.28	0.169	22.27	0.169	21.85	0.153
			64QAM		1	1	20.83	0.121	20.76	0.119	20.40	0.110
			256QAM		1	1	18.72	0.074	18.66	0.073	18.25	0.067
			BPSK	Inner_1RB Right	1	49	23.37	0.217	23.26	0.212	22.74	0.188
			QPSK		1	49	23.31	0.214	23.18	0.208	22.72	0.187
			BPSK	Inner_Full	25	12	23.20	0.209	23.26	0.212	22.88	0.194
			QPSK		25	12	23.20	0.209	23.36	0.217	22.78	0.190
			BPSK	Outer_Full	50	0	22.97	0.198	22.91	0.195	22.52	0.179
			QPSK		50	0	22.41	0.174	22.37	0.173	22.16	0.164
			BPSK	Edge_1RB Left	1	0	22.81	0.191	22.68	0.185	22.15	0.164
			QPSK		1	0	22.32	0.171	22.17	0.165	22.06	0.161
			BPSK	Edge_Full Left	2	0	22.90	0.195	22.77	0.189	22.23	0.167
			QPSK		2	0	22.39	0.173	22.27	0.169	22.11	0.163
			BPSK	Edge_1RB Right	1	50	22.68	0.185	22.65	0.184	22.36	0.172
			QPSK		1	50	22.19	0.166	22.14	0.164	22.03	0.160
			BPSK	Edge_Full Right	2	49	22.79	0.190	22.74	0.188	22.23	0.167
		QPSK	2		49	22.35	0.172	22.23	0.167	22.16	0.164	
		CP OFDM	16QAM	BPSK	Inner_1RB Left	1	1	21.93	0.156	21.83	0.152	21.30
QPSK	1			1	21.51	0.142	21.33	0.136	21.06	0.128		
NR Band 77/78-High Band												
BW (MHz)	SCS (kHz)	Modulation	RB allocation	RB Size	RB Offset	Conducted Output Power						
						647668 (3 715.02 MHz)		656000 (3 840.00 MHz)		664332 (3 964.98 MHz)		
						(dB m)	(W)	(dB m)	(W)	(dB m)	(W)	
30	30	DFT-S OFDM	BPSK	Inner_1RB Left	1	1	23.48	0.223	23.40	0.219	23.08	0.203
			QPSK		1	1	23.42	0.220	23.34	0.216	23.06	0.202
			16QAM		1	1	22.45	0.176	22.33	0.171	22.04	0.160
			64QAM		1	1	21.06	0.128	20.83	0.121	20.51	0.112
			256QAM		1	1	18.97	0.079	18.77	0.075	18.46	0.070
			BPSK	Inner_1RB Right	1	76	23.66	0.232	23.34	0.216	22.87	0.194
			QPSK		1	76	23.49	0.223	23.29	0.213	22.80	0.191
			BPSK	Inner_Full	36	18	23.52	0.225	23.44	0.221	22.98	0.199
			QPSK		36	18	23.62	0.230	23.47	0.222	22.92	0.196
			BPSK	Outer_Full	75	0	23.10	0.204	22.91	0.195	22.40	0.174
			QPSK		75	0	22.57	0.181	22.31	0.170	21.88	0.154
			BPSK	Edge_1RB Left	1	0	22.86	0.193	22.81	0.191	22.35	0.172
			QPSK		1	0	22.41	0.174	22.31	0.170	21.84	0.153
			BPSK	Edge_Full Left	2	0	23.00	0.200	22.89	0.195	22.39	0.173
			QPSK		2	0	22.49	0.177	22.36	0.172	21.91	0.155
			BPSK	Edge_1RB Right	1	77	22.93	0.196	22.74	0.188	22.23	0.167
			QPSK		1	77	22.46	0.176	22.19	0.166	21.72	0.149
			BPSK	Edge_Full Right	2	76	23.03	0.201	22.82	0.191	22.27	0.169
		QPSK	2		76	22.49	0.177	22.33	0.171	21.77	0.150	
		CP OFDM	16QAM	BPSK	Inner_1RB Left	1	1	22.01	0.159	21.90	0.155	21.53
QPSK	1			1	21.58	0.144	21.46	0.140	20.93	0.124		

NR Band 77/78-High Band												
BW (MHz)	SCS (kHz)	Modulation	RB allocation	RB Size	RB Offset	Conducted Output Power						
						648000 (3 720.00 MHz)		656000 (3 840.00 MHz)		664000 (3 960.00 MHz)		
						(dB m)	(W)	(dB m)	(W)	(dB m)	(W)	
40	30	DFT-S OFDM	BPSK	Inner_1RB Left	1	1	23.52	0.225	23.16	0.207	22.85	0.193
			QPSK		1	1	23.45	0.221	23.13	0.206	22.78	0.190
			16QAM		1	1	22.50	0.178	22.18	0.165	21.91	0.155
			64QAM		1	1	20.92	0.124	20.73	0.118	20.44	0.111
			256QAM	1	1	18.92	0.078	18.55	0.072	18.35	0.068	
			BPSK	Inner_1RB Right	1	104	23.39	0.218	23.17	0.207	22.70	0.186
			QPSK		1	104	23.34	0.216	23.25	0.211	22.69	0.186
			BPSK	Inner_Full	50	25	23.51	0.224	23.49	0.223	22.98	0.199
			QPSK		50	25	23.48	0.223	23.38	0.218	22.87	0.194
			BPSK	Outer_Full	100	0	23.07	0.203	22.82	0.191	22.40	0.174
			QPSK		100	0	22.48	0.177	22.26	0.168	21.85	0.153
			BPSK	Edge_1RB Left	1	0	22.85	0.193	22.54	0.179	22.28	0.169
			QPSK		1	0	22.41	0.174	22.05	0.160	21.78	0.151
			BPSK	Edge_Full Left	2	0	22.88	0.194	22.62	0.183	22.35	0.172
			QPSK		2	0	22.40	0.174	22.12	0.163	21.85	0.153
			BPSK	Edge_1RB Right	1	105	22.71	0.187	22.56	0.180	22.13	0.163
			QPSK		1	105	22.21	0.166	21.96	0.157	21.65	0.146
			BPSK	Edge_Full Right	2	104	22.78	0.190	22.58	0.181	22.20	0.166
		QPSK	2		104	22.27	0.169	22.02	0.159	21.72	0.149	
		CP OFDM	QPSK	Inner_1RB Left	1	1	21.97	0.157	21.70	0.148	21.37	0.137
1	1				21.51	0.142	21.21	0.132	20.96	0.125		
NR Band 77/78-High Band												
BW (MHz)	SCS (kHz)	Modulation	RB allocation	RB Size	RB Offset	Conducted Output Power						
						648334 (3 725.01 MHz)		656000 (3 840.00 MHz)		663666 (3 954.99 MHz)		
						(dB m)	(W)	(dB m)	(W)	(dB m)	(W)	
50	30	DFT-S OFDM	BPSK	Inner_1RB Left	1	1	23.52	0.225	23.26	0.212	23.04	0.201
			QPSK		1	1	23.42	0.220	23.22	0.210	23.00	0.200
			16QAM		1	1	22.44	0.175	22.30	0.170	22.07	0.161
			64QAM		1	1	20.99	0.126	20.79	0.120	20.53	0.113
			256QAM	1	1	18.86	0.077	18.71	0.074	18.46	0.070	
			BPSK	Inner_1RB Right	1	131	23.48	0.223	23.25	0.211	22.82	0.191
			QPSK		1	131	23.42	0.220	23.20	0.209	22.75	0.188
			BPSK	Inner_Full	64	32	23.39	0.218	23.52	0.225	23.15	0.207
			QPSK		64	32	23.29	0.213	23.46	0.222	23.09	0.204
			BPSK	Outer_Full	128	0	23.03	0.201	22.87	0.194	22.49	0.177
			QPSK		128	0	22.55	0.180	22.38	0.173	22.00	0.158
			BPSK	Edge_1RB Left	1	0	22.86	0.193	22.71	0.187	22.45	0.176
			QPSK		1	0	22.36	0.172	22.19	0.166	21.98	0.158
			BPSK	Edge_Full Left	2	0	22.94	0.197	22.77	0.189	22.54	0.179
			QPSK		2	0	22.42	0.175	22.26	0.168	22.02	0.159
			BPSK	Edge_1RB Right	1	132	22.90	0.195	22.59	0.182	22.27	0.169
			QPSK		1	132	22.38	0.173	22.11	0.163	22.13	0.163
			BPSK	Edge_Full Right	2	131	22.97	0.198	22.70	0.186	22.35	0.172
		QPSK	2		131	22.45	0.176	22.18	0.165	21.82	0.152	
		CP OFDM	QPSK	Inner_1RB Left	1	1	21.96	0.157	21.82	0.152	21.59	0.144
1	1				21.54	0.143	21.35	0.136	21.14	0.130		

NR Band 77/78-High Band												
BW (MHz)	SCS (kHz)	Modulation	RB allocation	RB Size	RB Offset	Conducted Output Power						
						648668 (3 730.02 MHz)		656000 (3 840.00 MHz)		663332 (3 949.98 MHz)		
						(dB m)	(W)	(dB m)	(W)	(dB m)	(W)	
60	30	DFT-S OFDM	Inner_1RB Left	BPSK	1	1	23.40	0.219	23.08	0.203	22.91	0.195
				QPSK	1	1	23.35	0.216	23.03	0.201	22.85	0.193
				16QAM	1	1	22.42	0.175	22.11	0.163	21.93	0.156
				64QAM	1	1	20.90	0.123	20.57	0.114	20.35	0.108
			256QAM	1	1	18.80	0.076	18.55	0.072	18.35	0.068	
			Inner_1RB Right	BPSK	1	160	23.33	0.215	23.01	0.200	22.78	0.190
				QPSK	1	160	23.30	0.214	22.95	0.197	22.78	0.190
			Inner_Full	BPSK	81	40	23.32	0.215	23.19	0.208	22.83	0.192
				QPSK	81	40	23.25	0.211	23.13	0.206	22.72	0.187
			Outer_Full	BPSK	162	0	22.86	0.193	22.67	0.185	22.40	0.174
				QPSK	162	0	22.35	0.172	22.15	0.164	21.82	0.152
			Edge_1RB Left	BPSK	1	0	22.81	0.191	22.51	0.178	22.30	0.170
				QPSK	1	0	22.30	0.170	22.01	0.159	21.81	0.152
			Edge_Full Left	BPSK	2	0	22.89	0.195	22.58	0.181	22.37	0.173
				QPSK	2	0	22.39	0.173	22.06	0.161	21.87	0.154
			Edge_1RB Right	BPSK	1	161	22.76	0.189	22.44	0.175	22.21	0.166
				QPSK	1	161	22.26	0.168	21.95	0.157	21.71	0.148
			Edge_Full Right	BPSK	2	160	22.84	0.192	22.53	0.179	22.28	0.169
				QPSK	2	160	22.32	0.171	22.02	0.159	21.78	0.151
			CP OFDM	QPSK	Inner_1RB	1	1	21.90	0.155	21.59	0.144	21.44
Left	1	1			21.58	0.144	21.22	0.132	21.06	0.128		
NR Band 77/78-High Band												
BW (MHz)	SCS (kHz)	Modulation	RB allocation	RB Size	RB Offset	Conducted Output Power						
						649000 (3 735.00 MHz)		656000 (3 840.00 MHz)		663000 (3 945.00 MHz)		
						(dB m)	(W)	(dB m)	(W)	(dB m)	(W)	
70	30	DFT-S OFDM	Inner_1RB Left	BPSK	1	1	23.35	0.216	23.22	0.210	23.02	0.200
				QPSK	1	1	23.39	0.218	23.16	0.207	22.97	0.198
				16QAM	1	1	22.45	0.176	22.23	0.167	22.05	0.160
				64QAM	1	1	20.89	0.123	20.64	0.116	20.46	0.111
			256QAM	1	1	18.81	0.076	18.60	0.072	18.44	0.070	
			Inner_1RB Right	BPSK	1	187	23.54	0.226	23.17	0.207	23.09	0.204
				QPSK	1	187	23.52	0.225	23.11	0.205	23.10	0.204
			Inner_Full	BPSK	90	45	23.53	0.225	23.39	0.218	23.09	0.204
				QPSK	90	45	23.42	0.220	23.38	0.218	22.98	0.199
			Outer_Full	BPSK	180	0	23.01	0.200	22.78	0.190	22.55	0.180
				QPSK	180	0	22.38	0.173	22.25	0.168	22.06	0.161
			Edge_1RB Left	BPSK	1	0	22.80	0.191	22.58	0.181	22.39	0.173
				QPSK	1	0	22.31	0.170	22.09	0.162	21.91	0.155
			Edge_Full Left	BPSK	2	0	22.86	0.193	22.64	0.184	22.47	0.177
				QPSK	2	0	22.39	0.173	22.16	0.164	21.98	0.158
			Edge_1RB Right	BPSK	1	188	22.97	0.198	22.58	0.181	22.51	0.178
				QPSK	1	188	22.47	0.177	22.07	0.161	21.93	0.156
			Edge_Full Right	BPSK	2	187	23.04	0.201	22.65	0.184	22.61	0.182
				QPSK	2	187	22.49	0.177	22.15	0.164	22.03	0.160
			CP OFDM	QPSK	Inner_1RB	1	1	21.96	0.157	21.76	0.150	21.57
Left	1	1			21.49	0.141	21.28	0.134	21.12	0.129		

NR Band 77/78-High Band												
BW (MHz)	SCS (kHz)	Modulation	RB allocation	RB Size	RB Offset	Conducted Output Power						
						649334 (3 740.01 MHz)		656000 (3 840.00 MHz)		662666 (3 939.99 MHz)		
						(dB m)	(W)	(dB m)	(W)	(dB m)	(W)	
80	30	DFT-S OFDM	BPSK	Inner_1RB Left	1	1	23.46	0.222	23.16	0.207	23.18	0.208
			QPSK		1	1	23.42	0.220	23.13	0.206	23.15	0.207
			16QAM		1	1	22.50	0.178	22.20	0.166	22.11	0.163
			64QAM		1	1	20.95	0.124	20.62	0.115	20.59	0.115
			256QAM	1	1	18.87	0.077	18.50	0.071	18.60	0.072	
			BPSK	Inner_1RB Right	1	215	23.44	0.221	23.04	0.201	22.87	0.194
			QPSK		1	215	23.40	0.219	23.02	0.200	22.86	0.193
			BPSK	Inner_Full	108	54	23.44	0.221	23.30	0.214	23.15	0.207
			QPSK		108	54	23.36	0.217	23.21	0.209	22.86	0.193
			BPSK	Outer_Full	216	0	22.88	0.194	22.71	0.187	22.37	0.173
			QPSK		216	0	22.37	0.173	22.21	0.166	21.94	0.156
			BPSK	Edge_1RB Left	1	0	22.88	0.194	22.52	0.179	22.38	0.173
			QPSK		1	0	22.39	0.173	22.04	0.160	21.88	0.154
			BPSK	Edge_Full Left	2	0	22.97	0.198	22.60	0.182	22.47	0.177
			QPSK		2	0	22.45	0.176	22.09	0.162	21.98	0.158
			BPSK	Edge_1RB Right	1	216	22.83	0.192	22.39	0.173	22.28	0.169
			QPSK		1	216	22.36	0.172	21.89	0.155	21.81	0.152
			BPSK	Edge_Full Right	2	215	22.96	0.198	22.65	0.184	22.36	0.172
		QPSK	2		215	22.46	0.176	22.08	0.161	21.87	0.154	
		CP OFDM	QPSK	Inner_1RB	1	1	22.03	0.160	21.69	0.148	21.53	0.142
	16QAM	Left	1	1	21.58	0.144	21.17	0.131	21.04	0.127		
NR Band 77/78-High Band												
BW (MHz)	SCS (kHz)	Modulation	RB allocation	RB Size	RB Offset	Conducted Output Power						
						649668 (3 745.02 MHz)		656000 (3 840.00 MHz)		662332 (3 934.98 MHz)		
						(dB m)	(W)	(dB m)	(W)	(dB m)	(W)	
90	30	DFT-S OFDM	BPSK	Inner_1RB Left	1	1	23.46	0.222	23.28	0.213	23.09	0.204
			QPSK		1	1	23.40	0.219	23.19	0.208	23.21	0.209
			16QAM		1	1	22.48	0.177	22.34	0.171	22.29	0.169
			64QAM		1	1	20.94	0.124	20.68	0.117	20.59	0.115
			256QAM	1	1	18.85	0.077	18.60	0.072	18.55	0.072	
			BPSK	Inner_1RB Right	1	243	23.57	0.228	23.18	0.208	22.84	0.192
			QPSK		1	243	23.53	0.225	23.00	0.200	22.78	0.190
			BPSK	Inner_Full	120	60	23.13	0.206	23.05	0.202	23.22	0.210
			QPSK		120	60	22.89	0.195	22.96	0.198	23.16	0.207
			BPSK	Outer_Full	243	0	22.99	0.199	22.68	0.185	22.41	0.174
			QPSK		243	0	22.42	0.175	22.17	0.165	21.88	0.154
			BPSK	Edge_1RB Left	1	0	22.96	0.198	22.69	0.186	22.60	0.182
			QPSK		1	0	22.45	0.176	22.20	0.166	22.12	0.163
			BPSK	Edge_Full Left	2	0	23.03	0.201	22.76	0.189	22.69	0.186
			QPSK		2	0	22.52	0.179	22.30	0.170	22.20	0.166
			BPSK	Edge_1RB Right	1	244	23.07	0.203	22.51	0.178	22.25	0.168
			QPSK		1	244	22.60	0.182	22.04	0.160	21.78	0.151
			BPSK	Edge_Full Right	2	243	23.18	0.208	22.76	0.189	22.33	0.171
		QPSK	2		243	22.65	0.184	22.13	0.163	21.83	0.152	
		CP OFDM	QPSK	Inner_1RB	1	1	22.00	0.158	21.75	0.150	21.67	0.147
	16QAM	Left	1	1	21.69	0.148	21.35	0.136	21.27	0.134		

NR Band 77/78-High Band												
BW (MHz)	SCS (kHz)	Modulation		RB allocation	RB Size	RB Offset	Conducted Output Power					
							650000 (3 750.00 MHz)		656000 (3 840.00 MHz)		662000 (3 930.00 MHz)	
							(dB m)	(W)	(dB m)	(W)	(dB m)	(W)
100	30	DFT-S OFDM	BPSK	Inner_1RB Left	1	1	23.57	0.228	23.38	0.218	23.11	0.205
			QPSK		1	1	23.57	0.228	23.40	0.219	23.11	0.205
			16QAM		1	1	22.61	0.182	22.42	0.175	22.33	0.171
			64QAM		1	1	21.10	0.129	20.88	0.122	20.77	0.119
			256QAM	1	1	18.98	0.079	18.72	0.074	18.68	0.074	
			BPSK	Inner_1RB Right	1	271	23.38	0.218	23.16	0.207	22.99	0.199
			QPSK		1	271	23.46	0.222	23.07	0.203	22.93	0.196
			BPSK	Inner_Full	135	67	23.40	0.219	23.14	0.206	23.04	0.201
			QPSK		135	67	23.33	0.215	23.08	0.203	22.77	0.189
			BPSK	Outer_Full	270	0	22.96	0.198	22.75	0.188	22.39	0.173
			QPSK		270	0	22.47	0.177	22.17	0.165	22.15	0.164
			BPSK	Edge_1RB Left	1	0	23.01	0.200	22.74	0.188	22.52	0.179
			QPSK		1	0	22.50	0.178	22.19	0.166	22.06	0.161
			BPSK	Edge_Full Left	2	0	23.08	0.203	22.77	0.189	22.59	0.182
			QPSK		2	0	22.57	0.181	22.26	0.168	22.09	0.162
			BPSK	Edge_1RB Right	1	272	22.81	0.191	22.48	0.177	22.28	0.169
			QPSK		1	272	22.32	0.171	21.99	0.158	21.79	0.151
			BPSK	Edge_Full Right	2	271	22.91	0.195	22.60	0.182	22.37	0.173
			QPSK		2	271	22.38	0.173	22.09	0.162	21.87	0.154
			CP OFDM	16QAM	QPSK	Inner_1RB Left	1	1	22.16	0.164	21.81	0.152
QPSK	1	1			21.73		0.149	21.40	0.138	21.20	0.132	