

LG Innotek Co., Ltd.

May 18, 2021

Federal Communications Commission
Authorization and Evaluation Division
7435 Oakland Mills Road
Columbia, MD 21046

Attn: OET Dept.

Ref: FCC Class II Permissive change for FCC ID: YZP-BK1110

Applicant: LG Innotek Co., Ltd.

Dear Examiner,

This is to request a Class II Permissive change for FCC ID: YZP-BK1110 originally granted on February 11, 2019 (date).

The change duplexer of LTE band 7 because of component end of life.

I attest that the certified device will not be capable of ad-hoc mode operation outside of the grant conditions.

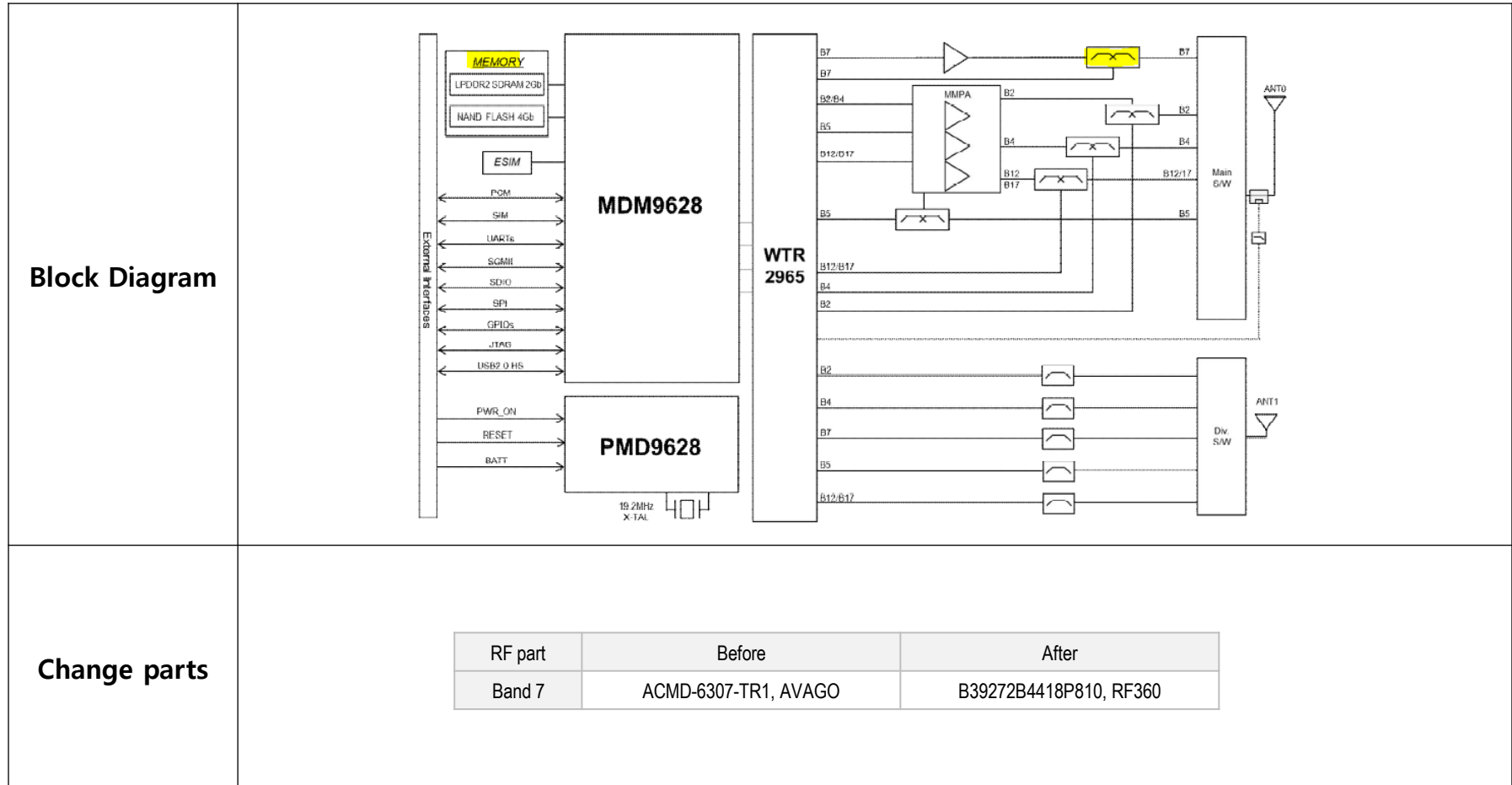
Sincerely,



Signature:
Name: Inchang Jeong
Title: Senior Research Engineer

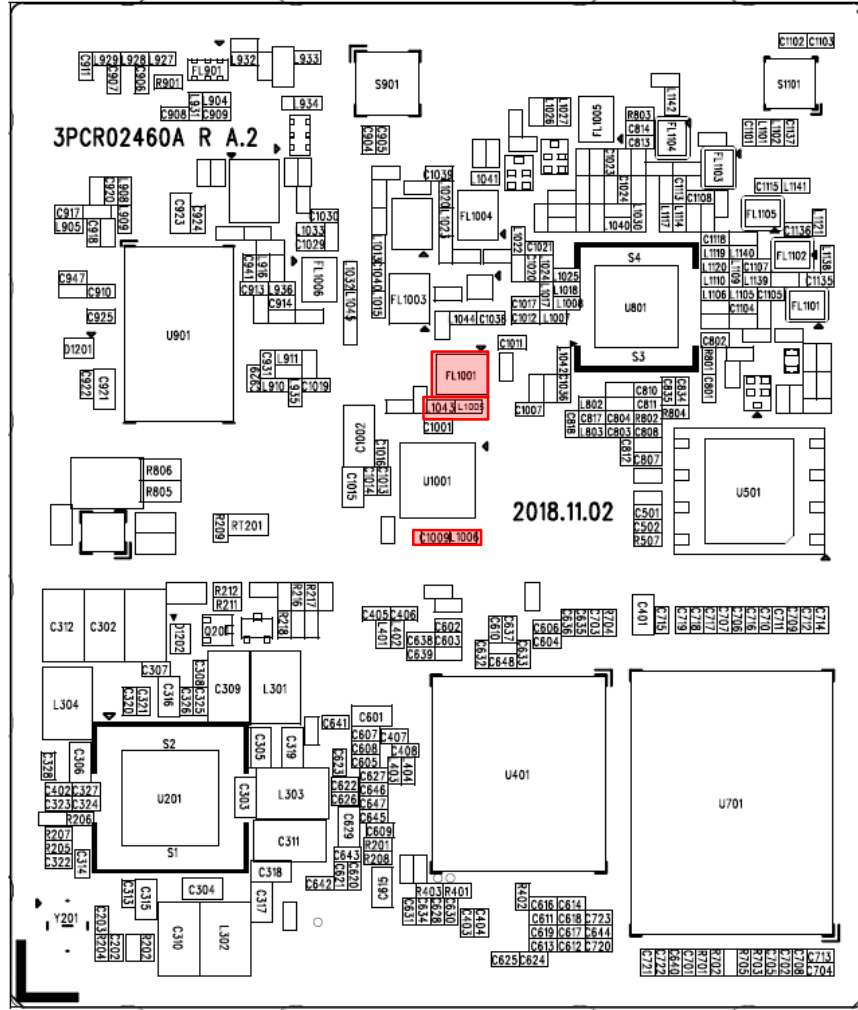
Changing parts of LTD-BK1110

Model Name : LTD-BK1110 (D2V Platform Bell)
 Support band : WCDMA B2, B5 LTE B2, B4, B5, B7, B12, B17
 Reason : Component End Of Life (AVAGO Duplexer)
 Change parts : Band 7 Duplexer, Matching Component (R,L,C)



Changing parts of LTD-BK1110

D-Audio2.0 BELL WTCA-MB201-F, 4M



대상	Ref.	Before			After		
		Maker	PN	Point	Maker	PN	Point
Filter	FL1001	AVAGO	2FTD00053A	1	RF360(EPCOS)	2FTD00056A	1
RLC	L1006	TDK	2INM00175A	1	TDK	2INM00195A	1
RLC	C1009	MURATA	2CAC01432A	1	MURATA	2CAC01444A	1
RLC	L1043	TDK	2INM00151A	1	MURATA	2CAC00165A	1
RLC	C1037	MURATA	2CAC01305A	1	-	-	1
RLC	L1005	DNI	DNI	1	TDK	2INM00154A	1